

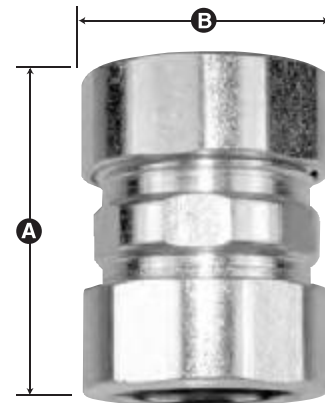


"The Diamond of the Industry"

## EMT Couplings Compression Type

- For coupling two ends of electric metallic tubing
- Concrete Tight 1/2" to 4"
- Screw Machined Steel, zinc plated
- 2-1/2" to 4" - malleable iron

Cat. #	Size	Unit Ctn	Std Pkg	WT/ 100
EC760US	1/2"	50	250	8
EC761US	3/4"	25	125	13
EC762US	1"	20	100	19
EC763US	1-1/4"	5	50	30
EC764US	1-1/2"	5	25	46
EC765US	2"	5	25	60
EC766US	2-1/2"	-	5	360
EC767US	3"	-	3	405
EC768US	3-1/2"	-	2	545
EC769US	4"	-	2	635



### Dimensional Table

Cat. #	A Length	B Diameter
EC760US	1.688	1.250
EC761US	2.000	1.563
EC762US	2.125	1.813
EC763US	3.063	2.188
EC764US	3.125	2.438
EC765US	3.375	2.938
EC766US	5.750	3.931
EC767US	5.720	4.667
EC768US	6.000	5.200
EC769US	6.811	5.750