

# LEDVANCE LUMINAIRES

## NIGHT RING MICRODISK



### LEDVANCE LUMINAIRE SPECIFICATION DATA

Catalog #	Comments
Project	
Type	
Prepared by	

### PERFORMANCE CLASS™



### APPLICATION

The Microdisk Downlight family now features an integrated Night Light mode, easily activated through a standard wall switch. This added feature creates a calming ambient glow, perfect for enhancing comfort in residential and hospitality settings. Designed for ease of installation, this versatile product also offers 5CCT selectability, allowing you to choose from five different color temperatures to suit any space or mood.

### BENEFITS & FEATURES

- High efficacy and quality light means this product meets new downlight standards for Energy Star as well as Title 24
- Nightlight feature increases the versatility of this product and creates calming environments in residential and commercial applications
- Easy to install
- Up to 87 LPW
- Selectable color temperature: 2700K/3000K/3500K/4000K/5000K (Selectable via the switch located on the driver)
- CRI > 90
- Offered in 10 and 12 watts
- Energy savings up to 92%



## ELECTRICAL

- 120VAC
- Power Factor > .7
- THD > 20%
- Phase-cut dimmable

## AMBIENT OPERATING RANGE

- -4°F to 120°F (-20°C to 40°C)

## RATED LIFE

- 50,000 hours (L<sub>70</sub>)

## WARRANTY

- 5 year
- NLB Trusted Warranty Program

## MICRODISK INSTALLATION

- For installation into 4", and 6" ceiling cut-outs
- Quick connectors are included in the box with purchase of each SKU

## CERTIFICATIONS & LISTINGS

- cETLus
- Title 24
- Damp Rated
- Energy Star
- FCC
- RoHS
- FT4 rated cable

## WATTAGE COMPARISON

TRADITIONAL SOURCE	LED SYSTEM WATTAGE	ENERGY SAVINGS
120W Incandescent	10	92%
23W CFL	12	48%

## COMPATIBLE PHASE-CUT DIMMERS

MAKE	LEADING OR TRAILING EDGE	MODEL
Leviton SureSlide	L	6674
Lutron Maestro C-L	L	MACL-153M
Lutron Diva	L	DVCL-153P
Lutron Caseta	L	PD-6WCL
Legrand Radiant	L	RHCL453P
Lutron Diva	T	DVELV-300P
Lutron Maestro	T	MAELV-600

## ORDERING GUIDE

LEDMD	XR	3B	XXXX	S	T	9	SC3	WH	NL
PRODUCT NAME	SIZE / SHAPE	GENERATION	LUMENS	VOLTAGE	T	CRI	CCT	COLOR/ FINISH	OPTION
LEDMD = LED Microdisk	4R = 4" round 6R = 6" round	3B = Generation 3B	830 = 830 lumens 1000 = 1000 lumens	S = 120V	T = Triac/ Phase-cut Dimming	9 = CRI > 90	SC3 = 2700, 3000, 3500, 4000 or 5000K	WH = White Finish	NL = Night Light Feature

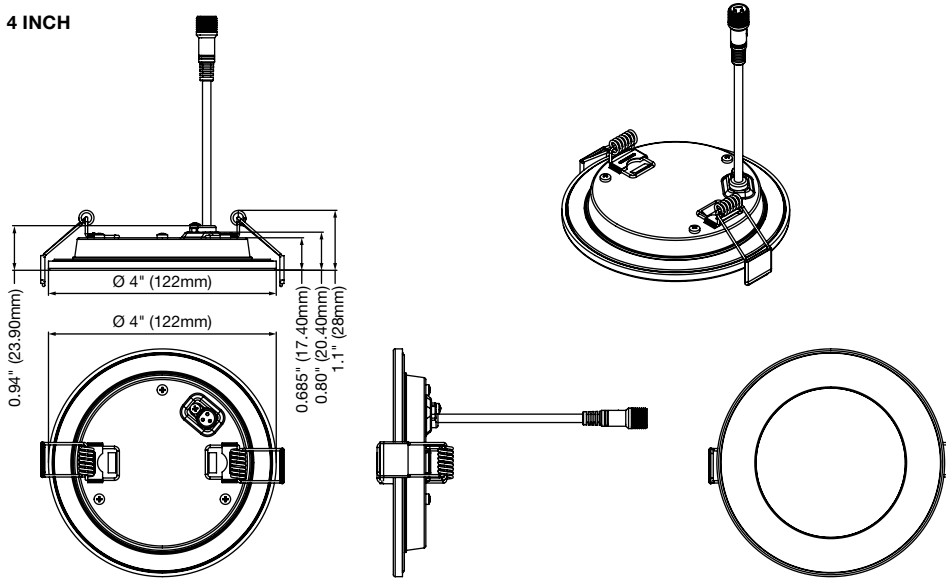
## ORDERING INFORMATION

ITEM #	ORDERING ABBREVIATION	WATTAGE	INPUT VOLTAGE	DIMMING	CRI	COLOR TEMP (CCT)	DISTRIBUTION	TOTAL FIXTURE LUMENS	ENERGY STAR	LPW	OPTIONS
65792	LEDMD4R3B830ST9SC3WHNL	10	120V	Phase-Cut	> 90	2700/3000/ 3500/ 4000/5000K	110 (o)	830	Yes	83	Nightlight feature
65793	LEDMD6R3B1000ST9SC3WHNL	12	120V	Phase-Cut	> 90	2700/ 3000/ 3500/ 4000/5000K	110 (o)	1000	Yes	83	Nightlight feature

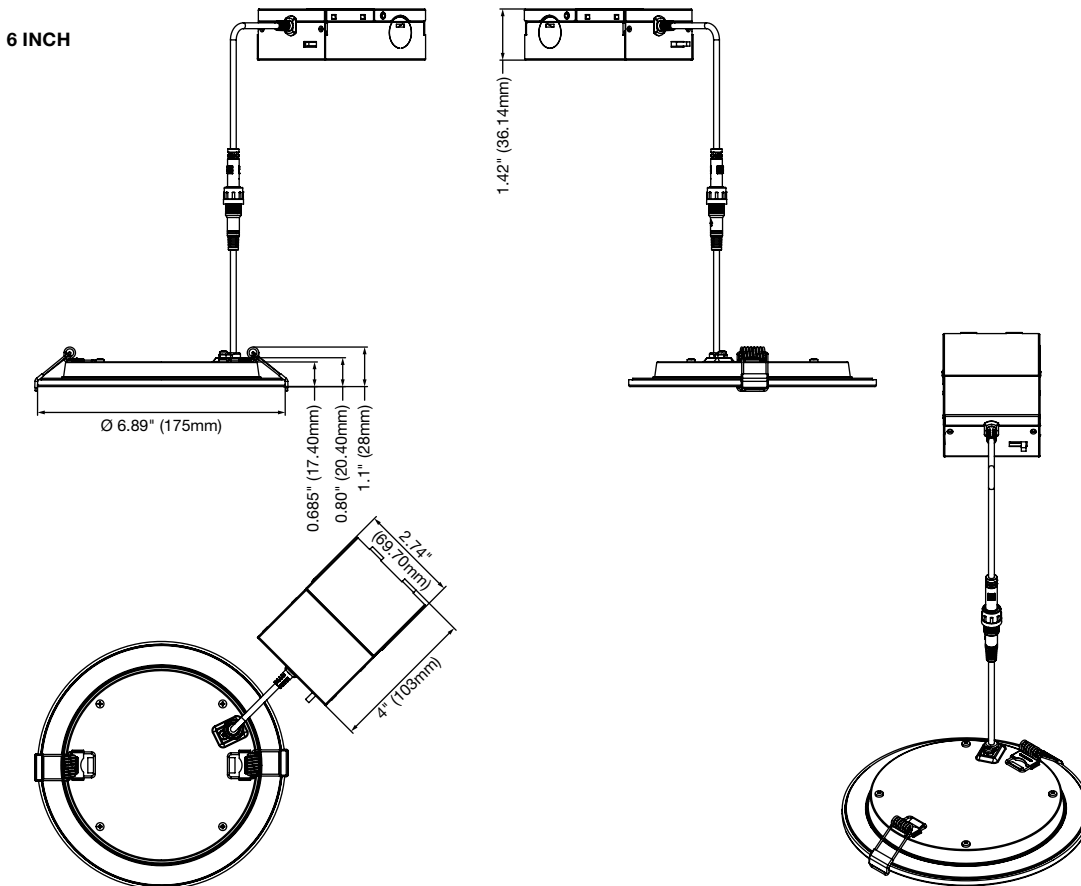
## PHYSICAL INFORMATION

DESCRIPTION	DIAMETER	HEIGHT
4"	4.8" (122mm)	1.1" (28mm)
6"	6.8" (175mm)	1.1" (28mm)

### 4 INCH



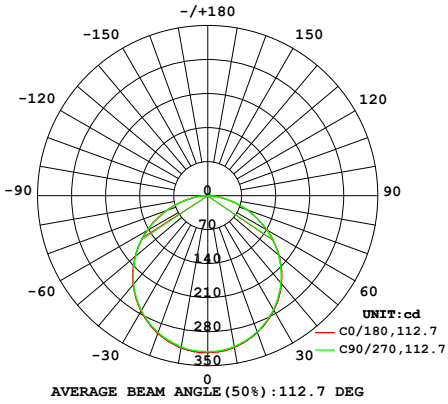
### 6 INCH



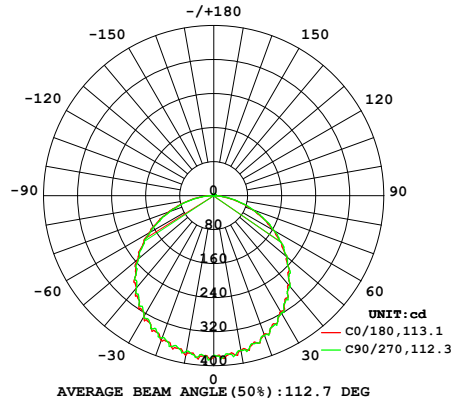
# PHOTOMETRIC INFORMATION

## LUMINOUS INTENSITY DISTRIBUTION

65792, 10W



65793, 12W



LEDVANCE LLC  
181 Ballardvale Street, Suite 203  
Wilmington, MA 01887 USA  
Phone: 1-800-LIGHTBULB (1-800-544-4828)  
www.ledvanceUS.com

LEDVANCE is a registered trademark.  
All other trademarks are those of their respective owners.  
Specifications subject to change without notice.



SCAN TO FOLLOW US  
ON SOCIAL MEDIA