

Type C & CKO Junction boxes

The 1100 C & CKO boxes are used as junction boxes, switch boxes, underground boxes or general service boxes.

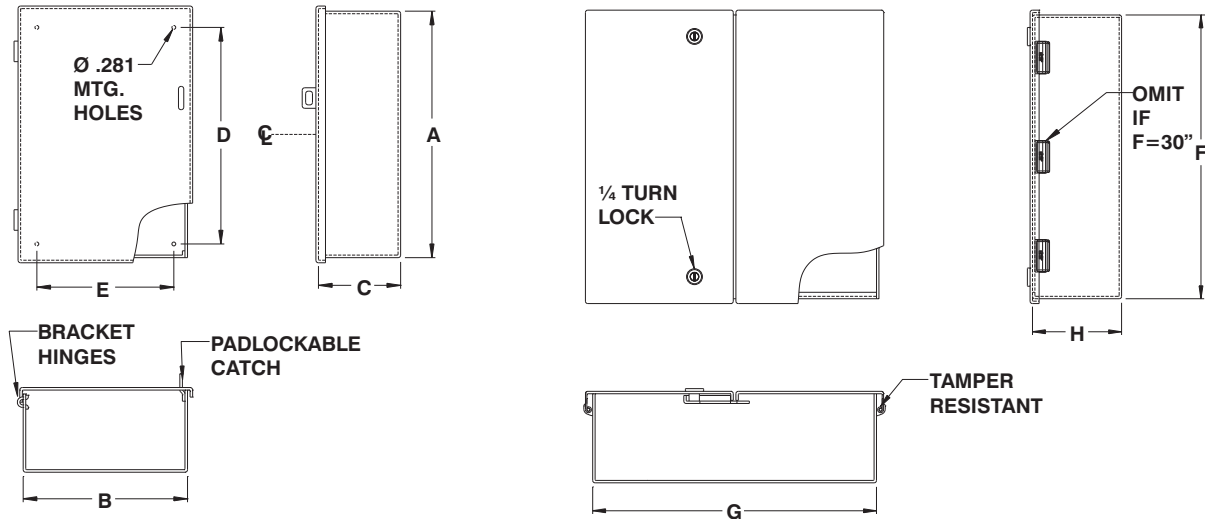
Boxes and covers are made from 16 GA or 14 GA steel. Four internal mounting holes are provided, except when dimensions D and E are not specified. A bonding screw and attachments are also

provided. Type CKO boxes have concentric knockouts on all four sides. Boxes smaller than 303012 have a single door which is secured with bracket hinges and a padlockable hatch. Larger boxes have double doors mounted on concealed hinges and are closed with EXM's 1/4 turn lock and a padlockable catch.

Enclosures are finished with ANSI/ASA 61 gray heat fused powder paint, electrostatically applied on a pretreated base. (other colors available).

CSA Certified / UL Listed *
NEMA/EEMAC 1 / IP30

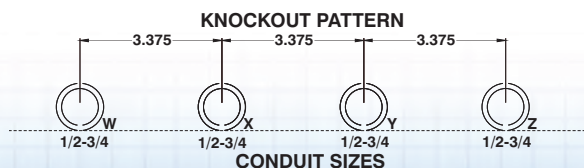
Refer to p.727 to validate choice of substrate for the application



CATALOG NUMBER	DIMENSIONS					KNOCKOUT PATTERN		SHIP WGHT LBS.
	A	B	C	D	E	FACE A	FACE B	
*1100 CKO121206	12	12	6	10	10	W-X-Y	W-X-Y	22
*1100 CKO161606	16	16	6	14	14	W-X-Y-Z	W-X-Y-Z	39
*1100 CKO181206	18	12	6	16	10	W-X-Y-Z	W-X-Y	26
*1100 CKO181806	18	18	6	16	16	W-X-Y-Z	W-X-Y-Z	45
*1100 CKO202006	20	20	6	18	18	W-X-Y-Z	W-X-Y-Z	48
*1100 CKO241206	24	12	6	22	10	W-X-Y-Z	W-X-Y	39
*1100 CKO242406	24	24	6	22	22	W-X-Y-Z	W-X-Y-Z	65

CATALOG NUMBER	DIMENSIONS					SHIP WGHT LBS.
	A	B	C	D	E	
*1100 C121206	12	12	6	10	10	22
*1100 C161606	16	16	6	14	14	39
*1100 C181206	18	12	6	16	10	26
*1100 C181806	18	18	6	16	16	45
*1100 C202006	20	20	6	18	18	48
*1100 C241206	24	12	6	22	10	39
*1100 C242406	24	24	6	22	22	65
*1100 C202010	20	20	10	---	---	70

CATALOG NUMBER	DIMENSIONS			SHIP WGHT LBS.	UL Listed where noted *
	A	B	C		
1100 C303012	30	30	12	92	
1100 C363612	36	36	12	140	
1100 C484812	48	48	12	169	



p.462

<http://www.exmweb.com>

1-800-363-2423

Fax : 450-979-4626



info@exmweb.com

Data subject to change without notice.

Type E junction boxes

The 1100 E boxes are used as surface mounting junction boxes, switch boxes or general service boxes. Boxes and covers are made from 14 GA or 16 GA steel. Four internal mounting holes, a bonding screw and attachment are provided. All four sides have concentric knockouts, except as noted. Also available

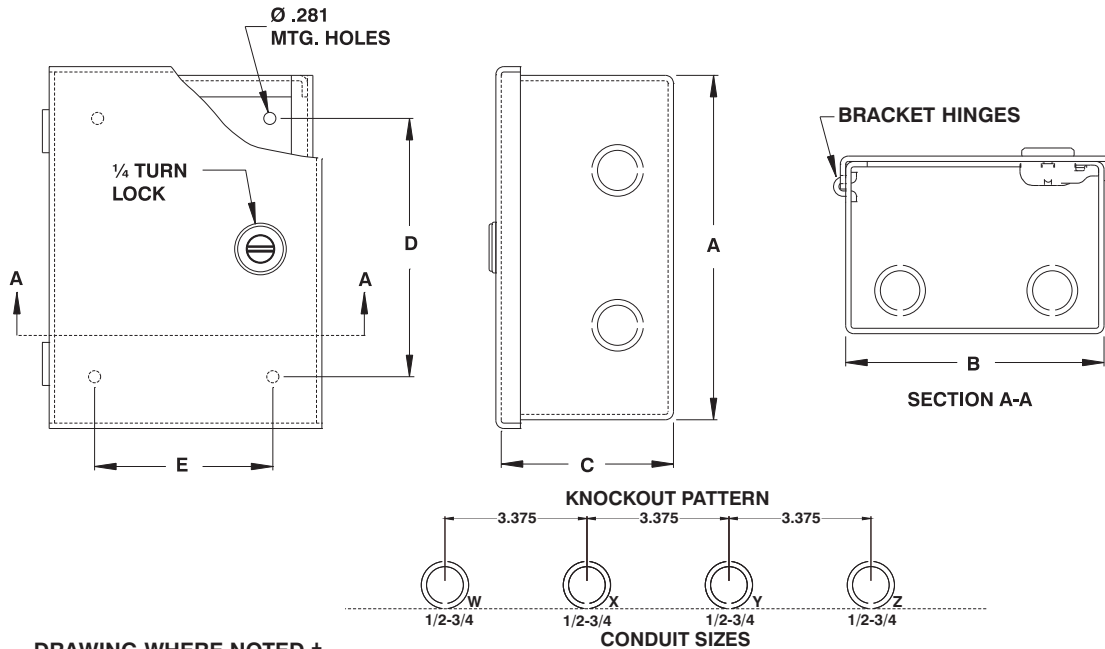
without knockouts (add suffix "N" to the catalog number). These boxes feature formed steel hinges, a ¼ turn lock and a formed handle † to permit easy opening. The 1100 E is also available with a keylock option. Enclosures are finished with ANSI/ASA 61 gray heat fused powder paint, electrostatically applied on a pretreated base. (other colors available).

der paint, electrostatically applied on a pretreated base. (other colors available).

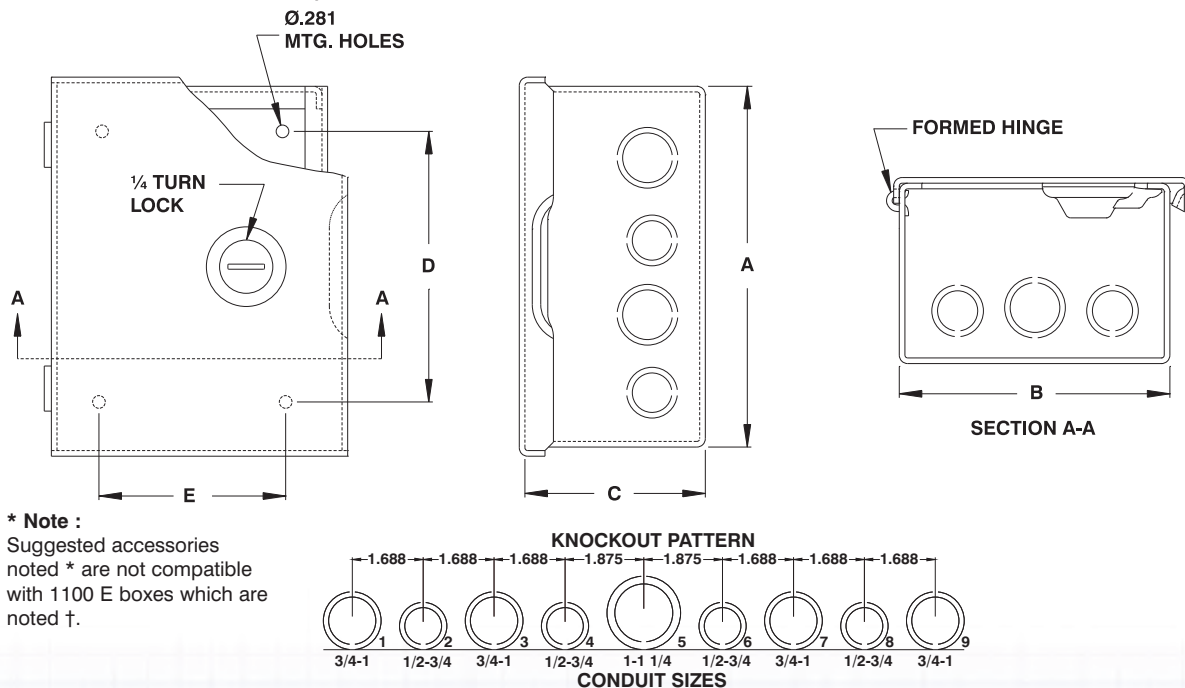
**CSA Certified / UL Listed
NEMA/EEMAC 1 / IP30**

Refer to p.727 to validate choice of substrate for the application

DRAWING EXCEPT WHERE NOTED †



DRAWING WHERE NOTED †



*** Note :**
Suggested accessories noted * are not compatible with 1100 E boxes which are noted †.

Data subject to change without notice.



Type E junction boxes

CATALOG NUMBER	DIMENSIONS					KNOCKOUTS		SHIP WGHT LBS.
	A	B	C	D	E	FACE A	FACE B	
1100 E060603	6	6	3	4	4	W-X	W-X	2
1100 E060604†	6	6	4	4	4	2-3-4	2-3-4	3
1100 E080604	8	6	4	6	4	W-X	W-X	3
1100 E080804†	8	8	4	6	6	6-7-8-9	6-7-8-9	4
1100 E100804	10	8	4	8	6	W-X	W-X	5
1100 E101004†	10	10	4	8	8	6-7-8-9	3-4-5-6-7	6
1100 E120604	12	6	4	10	4	W-X-Y	W-X	5
1100 E120804	12	8	4	10	6	W-X-Y	W-X	6
1100 E121004	12	10	4	10	8	W-X-Y	W-X	7
1100 E121204†	12	12	4	10	10	3-4-5-6-7	3-4-5-6-7	8
1100 E151204	15	12	4	13	10	W-X-Y-Z	W-X-Y	10
1100 E151504	15	15	4	13	13	W-X-Y-Z	W-X-Y-Z	13
1100 E181204	18	12	4	16	10	W-X-Y-Z	W-X-Y-Z	11
1100 E181504	18	15	4	16	13	W-X-Y-Z	W-X-Y-Z	14
1100 E181804	18	18	4	16	16	W-X-Y-Z	W-X-Y-Z	16
1100 E060606†	6	6	6	4	4	W-X	W-X	3
1100 E080606	8	6	6	4	4	W-X	W-X	5
1100 E080806†	8	8	6	6	6	W-X	W-X	5
1100 E100806	10	8	6	8	6	W-X	W-X	6
1100 E101006†	10	10	6	8	8	W-X	W-X	7
1100 E120806	12	8	6	10	6	W-X-Y	W-X	7
1100 E121006	12	10	6	10	8	W-X-Y	W-X	9
1100 E121206†	12	12	6	10	10	3-4-5-6-7	3-4-5-6-7	10
1100 E151206	15	12	6	13	10	W-X-Y-Z	W-X-Y	11
1100 E161606	16	16	6	14	14	W-X-Y-Z	W-X-Y-Z	14
1100 E181206	18	12	6	16	10	W-X-Y-Z	W-X-Y	13
1100 E181506	18	15	6	16	13	W-X-Y-Z	W-X-Y-Z	15
1100 E181806	18	18	6	16	16	W-X-Y-Z	W-X-Y-Z	17
1100 E241806	24	18	6	22	16	W-X-Y-Z	W-X-Y-Z	27
1100 E242406	24	24	6	22	22	W-X-Y-Z	W-X-Y-Z	34

CATALOG NUMBER	DIMENSIONS					KNOCKOUTS		SHIP WGHT LBS.
	A	B	C	D	E	FACE A	FACE B	
1100 EN040404	4	4	4	2	--	--	--	1
1100 EN060603	6	6	3	4	4	--	--	2
1100 EN060604	6	6	4	4	4	--	--	3
1100 EN060606	6	6	6	4	4	--	--	3
1100 EN080604	8	6	4	6	4	--	--	3
1100 EN080606	8	6	6	6	4	--	--	5
1100 EN080804	8	8	4	6	6	--	--	4
1100 EN080806	8	8	6	6	6	--	--	5
1100 EN100804	10	8	4	8	6	--	--	5
1100 EN100806	10	8	6	8	6	--	--	6
1100 EN101004	10	10	4	8	8	--	--	6
1100 EN101006	10	10	6	8	8	--	--	7
1100 EN101008	10	10	8	8	8	--	--	8
1100 EN120604	12	6	4	10	4	--	--	5
1100 EN120804	12	8	4	10	6	--	--	6
1100 EN120806	12	8	6	10	6	--	--	7
1100 EN121004	12	10	4	10	8	--	--	7
1100 EN121006	12	10	6	10	8	--	--	9
1100 EN121204	12	12	4	10	10	--	--	8
1100 EN121206	12	12	6	10	10	--	--	10
1100 EN151204	15	12	4	13	10	--	--	10
1100 EN151206	15	12	6	13	10	--	--	11
1100 EN151504	15	15	4	13	13	--	--	13
1100 EN161606	16	16	6	14	14	--	--	14
1100 EN161608	16	16	8	14	14	--	--	14
1100 EN181204	18	12	4	16	10	--	--	11
1100 EN181206	18	12	6	16	10	--	--	13
1100 EN181504	18	15	4	16	13	--	--	14
1100 EN181506	18	15	6	16	13	--	--	15
1100 EN181804	18	18	4	16	16	--	--	16
1100 EN181806	18	18	6	16	16	--	--	17
1100 EN202010	20	20	10	18	18	--	--	32
1100 EN241806	24	18	6	22	16	--	--	27
1100 EN242406	24	24	6	22	22	--	--	34
1100 EN242408	24	24	8	22	22	--	--	38
1100 EN242410	24	24	10	22	22	--	--	41
1100 EN302010	30	20	10	28	18	--	--	44
1100 EN302406	30	24	6	28	22	--	--	42
* 1100 EN303010	30	30	10	28	28	--	--	60
1100 EN362410	36	24	10	34	22	--	--	59
* 1100 EN363612	36	36	12	34	34	--	--	70
* 1100 EN484812	48	48	12	46	46	--	--	118

Note :

Type E boxes are also available without knockouts, as series 1100 EN. (ie : 1100 EN161608)

Customize with



Data subject to change without notice.



Type DF junction boxes

The 1100 DF boxes are used as junction or pull boxes and are suitable for surface mounting with the standard screw cover or for flush mounting using either of the two optional covers (1100 HCF or 1100 FCD on page 212). Boxes and covers are made from 16 GA or 14 GA steel. Four internal mounting holes,

bonding screws and attachments are provided. All four sides have concentric knockouts, except as noted.

Also available without knockouts (add suffix "N" to the catalog number).

Enclosures are finished with ANSI/ASA 61 gray heat fused powder

paint, electrostatically applied on a pretreated base. (other colors available).

CSA Certified

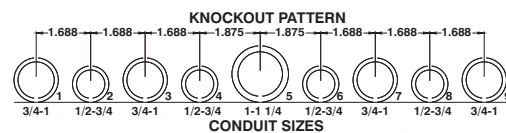
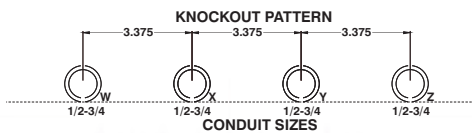
**UL Listed where noted *
NEMA/EEMAC 1 / IP30**

Refer to p.727 to validate choice of substrate for the application

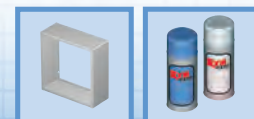
Customize with

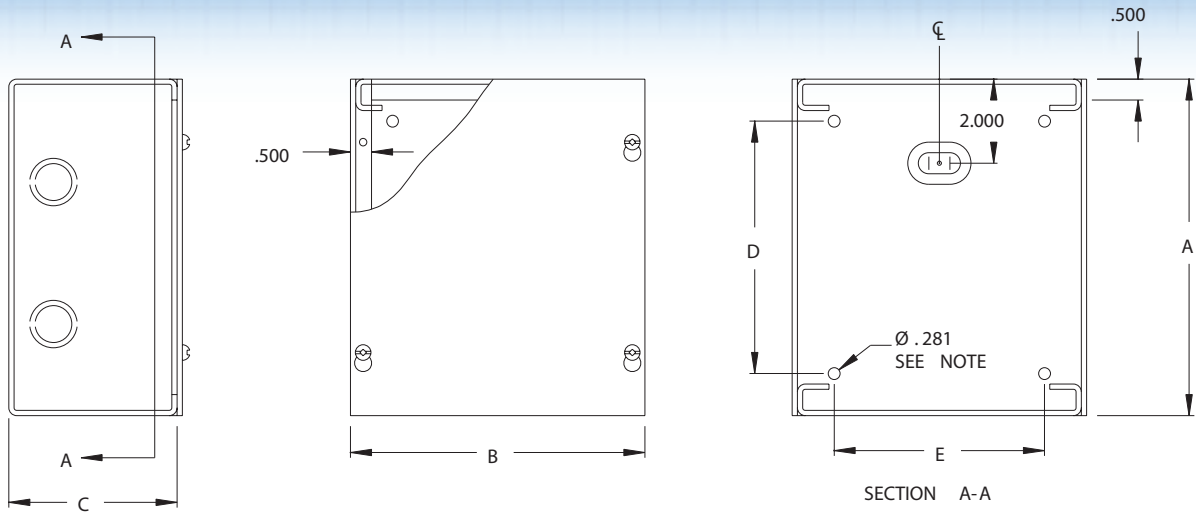


CATALOG NUMBER	DIMENSIONS					KNOCKOUTS		SHIP WGT LBS.
	A	B	C	D	E	FACE A	FACE B	
*1100 DF060603	6	6	3	4	4	2-3-4	2-3-4	2
*1100 DF040404	4	4	4	2	2	W	W	1
*1100 DF060404	6	4	4	4	2	W-X	W	2
*1100 DF060604†	6	6	4	4	4	2-3-4	2-3-4	3
*1100 DF080604	8	6	4	6	4	W-X	W-X	3
*1100 DF080804†	8	8	4	6	6	6-7-8-9	6-7-8-9	4
*1100 DF100804	10	8	4	8	6	W-X	W-X	5
*1100 DF101004†	10	10	4	8	8	3-4-5-6-7	3-4-5-6-7	6
*1100 DF120604	12	6	4	10	4	W-X-Y	W-X	5
*1100 DF120804	12	8	4	10	6	W-X-Y	W-X	6
*1100 DF121004	12	10	4	10	8	W-X-Y	W-X	7
*1100 DF121204†	12	12	4	10	10	3-4-5-6-7	3-4-5-6-7	8
*1100 DF151204	15	12	4	13	10	W-X-Y-Z	W-X-Y	10
*1100 DF151504	15	15	4	13	13	W-X-Y-Z	W-X-Y-Z	13
*1100 DF161604	16	16	4	14	14	W-X-Y-Z	W-X-Y-Z	13
*1100 DF181204	18	12	4	16	10	W-X-Y-Z	W-X-Y-Z	11
*1100 DF181504	18	15	4	16	13	W-X-Y-Z	W-X-Y-Z	14
*1100 DF181804	18	18	4	16	16	W-X-Y-Z	W-X-Y-Z	16
*1100 DF242404	24	24	4	22	22	W-X-Y-Z	W-X-Y-Z	31
*1100 DF060606	6	6	6	4	4	W-X	W-X	3
*1100 DF080606	8	6	6	6	4	W-X	W-X	5
*1100 DF080806	8	8	6	6	6	6-7-8-9	6-7-8-9	5
*1100 DF100606	10	6	6	8	4	W-X	W-X	5
*1100 DF100806	10	8	6	8	6	W-X	W-X	6
*1100 DF101006	10	10	6	8	8	3-4-5-6-7	6-7-8-9	7
*1100 DF120606	12	6	6	10	4	W-X-Y	W-X	6
*1100 DF120806	12	8	6	10	6	W-X-Y	W-X	7
*1100 DF121006	12	10	6	10	8	W-X-Y	W-X	9
*1100 DF121206†	12	12	6	10	10	3-4-5-6-7	3-4-5-6-7	10
*1100 DF151206	15	12	6	13	10	W-X-Y-Z	W-X-Y	11
*1100 DF151506	15	15	6	13	13	W-X-Y-Z	W-X-Y-Z	13
*1100 DF161606†	16	16	6	14	14	2-3-4-5-6-7-8	2-3-4-5-6-7-8	14
*1100 DF181206	18	12	6	16	10	W-X-Y-Z	W-X-Y	13
*1100 DF181506	18	15	6	16	13	W-X-Y-Z	W-X-Y-Z	15
*1100 DF181806	18	18	6	16	16	W-X-Y-Z	W-X-Y-Z	17
*1100 DF241806	24	18	6	22	16	W-X-Y-Z	W-X-Y-Z	27
*1100 DF242406	24	24	6	22	22	W-X-Y-Z	W-X-Y-Z	34
*1100 DF101008	10	10	8	8	8	W-X	W-X	9
*1100 DF121208	12	12	8	10	10	W-X-Y	W-X-Y	12
*1100 DF151208	15	12	8	13	10	W-X-Y-Z	W-X-Y	13
*1100 DF161608	16	16	8	14	14	W-X-Y-Z	W-X-Y-Z	14
*1100 DF180808	18	8	8	16	6	W-X-Y-Z	W-X	17
*1100 DF181808	18	18	8	16	16	W-X-Y-Z	W-X-Y-Z	21
*1100 DF241208	24	12	8	22	10	W-X-Y-Z	W-X-Y	20
*1100 DF242408	24	24	8	22	22	W-X-Y-Z	W-X-Y-Z	38



Data subject to change without notice.





NOTE: -2 MTG. HOLE IF B=4.000 "

CATALOG NUMBER	DIMENSIONS					SHIP WGT LBS.	CATALOG NUMBER	DIMENSIONS					SHIP WGT LBS.
	A	B	C	D	E			A	B	C	D	E	
*1100 DF040404N	4	4	4	2	-	1	*1100 DF101008N	10	10	8	8	8	10
*1100 DF060404N	6	4	4	4	-	2	*1100 DF121208N	12	12	8	10	10	12
*1100 DF060603N	6	6	3	4	4	2	*1100 DF151208N	15	12	8	13	10	13
*1100 DF060604N	6	6	4	4	4	3	*1100 DF151508N	15	15	8	13	13	14
*1100 DF080604N	8	6	4	6	4	3	*1100 DF161608N	16	16	8	14	14	15
*1100 DF080804N	8	8	4	6	6	4	*1100 DF181808N	18	18	8	16	16	20
*1100 DF100804N	10	8	4	8	6	5	1100 DF241208N	24	12	8	22	10	20
*1100 DF101004N	10	10	4	8	8	6	1100 DF241808N	24	18	8	22	16	28
*1100 DF120604N	12	6	4	10	4	5	*1100 DF242408N	24	24	8	22	22	38
*1100 DF120804N	12	8	4	10	6	6	1100 DF303008N	30	30	8	28	28	48
*1100 DF121004N	12	10	4	10	8	7	*1100 DF362408N	36	24	8	34	22	55
*1100 DF121204N	12	12	4	10	10	8	1100 DF363008N	36	30	8	34	28	56
*1100 DF151204N	15	12	4	13	10	10	1100 DF363608N	36	36	8	34	34	65
*1100 DF151504N	15	15	4	13	13	12	*1100 DF121210N	12	12	10	10	10	18
*1100 DF161604N	16	16	4	14	14	13	*1100 DF151510N	15	15	10	13	13	22
*1100 DF181204N	18	12	4	16	10	11	*1100 DF181810N	18	18	10	16	16	28
*1100 DF181504N	18	15	4	16	13	14	*1100 DF202010N	20	20	10	18	18	32
*1100 DF181804N	18	18	4	16	16	16	*1100 DF241810N	24	18	10	22	16	36
*1100 DF060606N	6	6	6	4	4	3	*1100 DF242410N	24	24	10	22	22	41
*1100 DF080606N	8	6	6	6	4	5	*1100 DF302010N	30	20	10	28	18	44
*1100 DF080806N	8	8	6	6	6	5	1100 DF302410N	30	24	10	28	22	50
*1100 DF100606N	10	6	6	8	4	5	1100 DF303010N	30	30	10	28	28	60
*1100 DF100806N	10	8	6	8	6	6	*1100 DF362410N	36	24	10	34	22	59
*1100 DF101006N	10	10	6	8	8	7	1100 DF363010N	36	30	10	34	28	61
*1100 DF120606N	12	6	6	10	4	6	1100 DF363610N	36	36	10	34	34	70
*1100 DF120806N	12	8	6	10	6	7	*1100 DF121212N	12	12	12	10	10	20
*1100 DF121006N	12	10	6	10	8	9	1100 DF151512N	15	15	12	13	13	24
*1100 DF121206N	12	12	6	10	10	10	*1100 DF181212N	18	12	12	16	10	23
*1100 DF151206N	15	12	6	13	10	11	*1100 DF181812N	18	18	12	16	16	26
*1100 DF151506N	15	15	6	13	13	13	*1100 DF242412N	24	24	12	22	22	49
*1100 DF161606N	16	16	6	14	14	14	*1100 DF301812N	30	18	12	28	16	45
*1100 DF181206N	18	12	6	16	10	13	*1100 DF302412N	30	24	12	28	22	51
*1100 DF181506N	18	15	6	16	13	15	1100 DF303012N	30	30	12	28	28	54
*1100 DF181806N	18	18	6	16	16	17	*1100 DF362412N	36	24	12	34	22	57
*1100 DF241806N	24	18	6	22	16	27	1100 DF363012N	36	30	12	34	28	65
*1100 DF242406N	24	24	6	22	22	34	1100 DF363612N	36	36	12	34	34	70
*1100 DF302406N	30	24	6	28	22	42	1100 DF484812N	48	48	12	46	46	118
*1100 DF362406N	36	24	6	34	22	48	1100 DF363618N	36	36	18	34	34	112
1100 DF363606N	36	36	6	34	34	60							

Data subject to change without notice.

