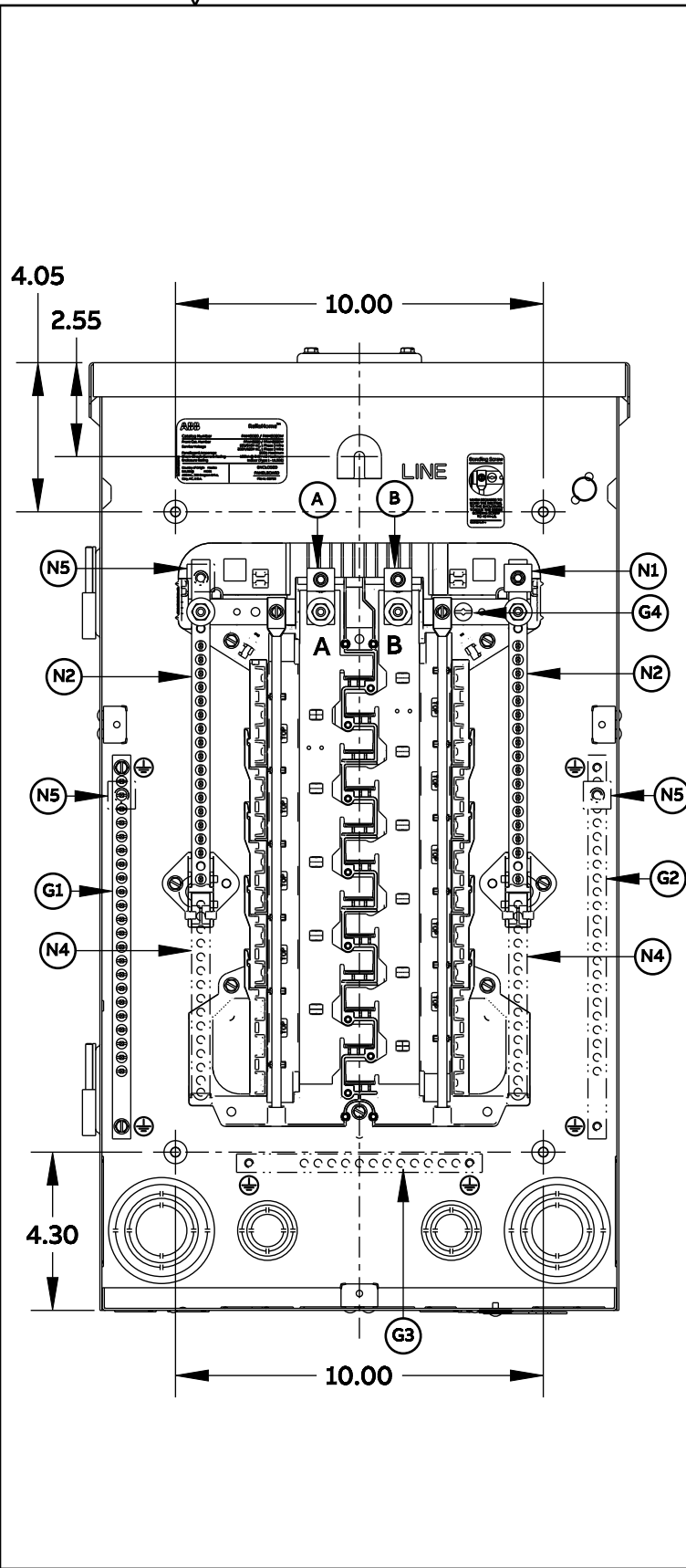
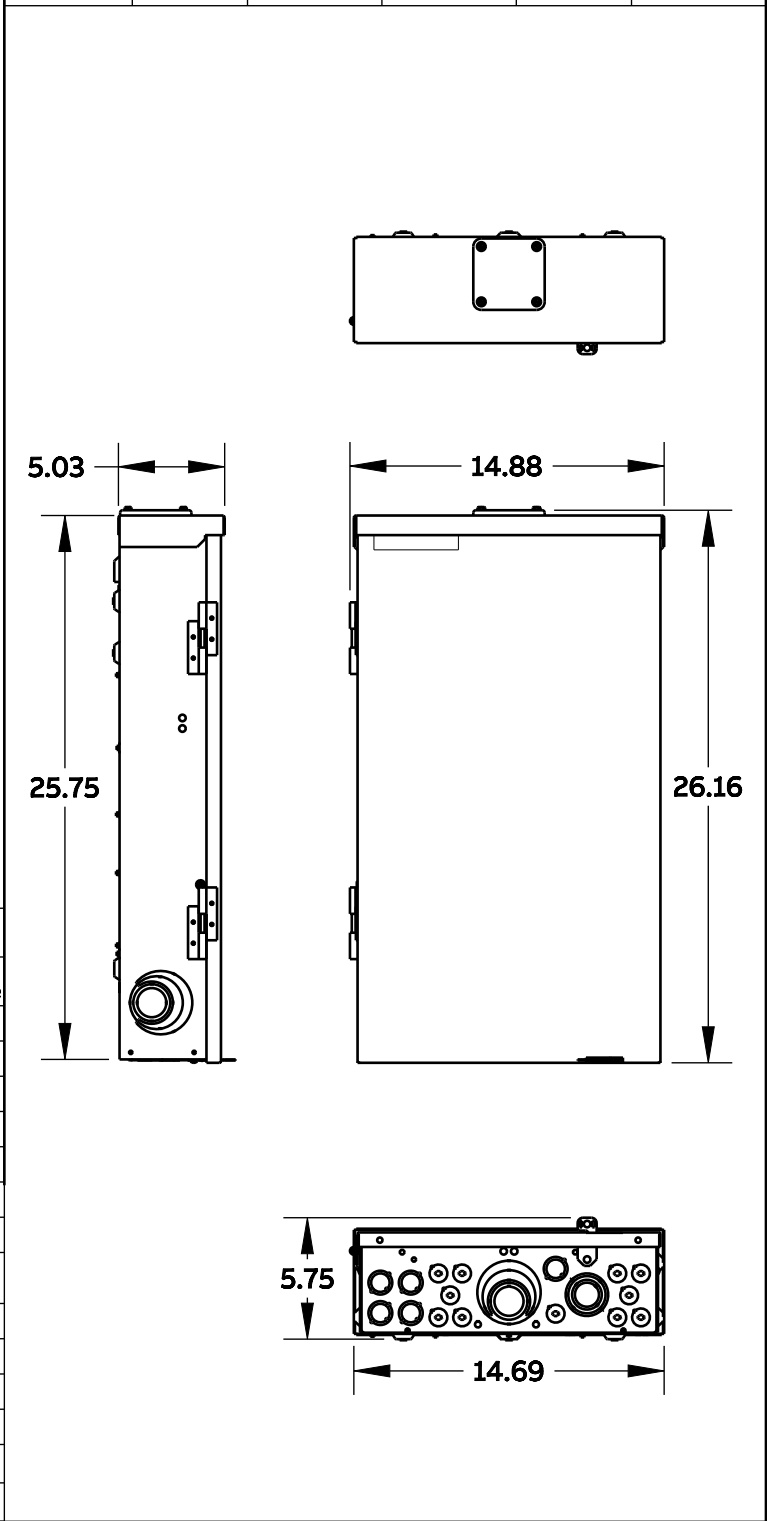


SPECIFICATION	
Service Voltage	120/240V AC, 1 Phase 3 Wire 208Y/120V AC, 1 Phase 3 Wire
Panelboard Amperage	125A Maximum
Short-Circuit Current Rating	100kA @ 240V AC Maximum
Rated Frequency	60Hz
Enclosure Rating	Outdoor (Type 3R - UL50E)
Main Device	Lug
Main Device Rating	125A Maximum
Busbar Rating and Material	125A Copper
Branch Circuit Breaker Rating	125A Maximum
Sum of Circuit Breaker Rating	125A Maximum per Stab
Number of Spaces	24 Spaces Maximum
Number of Circuits	48 Circuits Maximum
Standard Listing	UL67 (E21790)
SUITABLE FOR USE AS SERVICE EQUIPMENT	

RAINTIGHT HUBS					
3/4" Dia.	1" Dia.	1-1/4" Dia.	1-1/2" Dia.	2" Dia.	2-1/2" Dia.
TC75	TC100	TC125	TC150	TC200	TC250



REPLACEMENT / ACCESSORIES KIT		
TQLFP1	1" Front Filler plates	--
PTHQLRK2	Circuit Breaker Hold-down kit END	1TQC163000Z0114
PTHQLRK1	Circuit Breaker Hold-down kit	1TQC163000Z0113
PD60	Circuit Directory	1TQC163000Z0115
THP100	Padlocking - THQL	--
THP100E	Padlocking - AFCI/GFCI	--
THQLSURGE2	Type 1 plug-on SPD	--
TQMH125	125A Main Circuit Breaker Kit	--
THQLSB	Service Entrance Barrier THQL	DEH0003780
--	--	--
--	--	--
--	--	--
--	--	--
PBS	Bond Screw Kit	1TQC163000Z0121
PGENLCK12	Generator Interlock kit 125A	1TQC163000Z0112
THLK2125	Subfeed Lug Kit - 125A, 2Pole	--
TCCP	Closing Cap	--
--	--	--
--	--	--

TORQUE					
Terminal#	Terminal Name	Installed/ Cat.Number	Wire Size	Drive	Torque LB-IN
A & B	Main Lug	Installed	(1) #6-2/0 Cu/Al	Internal Hex	120
N1	Neutral Lug	Installed	(1) #6-2/0 Cu/Al	Internal Hex	120
N2	Neutral Bar	Installed	See Below for Table 1		
N3	Neutral Bar	PNEUXTLG			
N4	Neutral Bar	N/A			
G1	Ground Bar	Installed			
G2	Ground Bar	TGK24			
G3	Ground Bar	TGK12			
G4	Ground Lug	N/A	N/A	N/A	N/A
C & D	Feed Thru Lug	N/A	N/A	N/A	N/A
N5	Ground/ Neutral Lug	TNLK20 TNLK250	(1) #6-2/0 Cu/AL (1) #1-300 Cu/AL	Internal Hex	120 200
S	Bonding Screw	Installed	N/A	Slotted/ Robertson	40

When used as service equipment, all unused neutral terminals may be used for equipment ground conductors.

Table 1: GROUND/NEUTRAL Bar Terminal Wire size (AWG/KCMIL) & Torque

Conductor for Ground/Neutral Bar Terminal					
Solid		Stranded		Drive	Torque Lb-In
CU	AL	CU	AL		
(1) 14	-	(1) 14	-	Slotted/ Robertson	15
-	(1) 12	-	(1) 12		15
(1) 12	-	(1) 12	-		20
(1) 10		(1) 10		Robertson	20
-	-	(1) 8			40
-	-	(1) 6-4		45	
Multiple Conductor for Ground/Neutral Bar Terminal					
(1) 10 & (1) 12	-	-	-	Slotted/ Robertson	30
(1) 10 & (1) 14	-	(1) 10 & (1) 14	-		30
(2) 10 & (1) 14	-	-	-		30
(1) 12 & (1) 14	-	-	-		30
-	(2) 10 & (1) 12	-	(2) 10 & (1) 12		30

KNOCKOUTS						
1"-1.25"-1.5"-2"-2.5"	1"-1.25" - 1.5" - 2"	0.75"-1"-1.25"-1.5"	0.5"- 0.75"- 1"	0.5"-0.75"	0.5"	0.281"
X4	X2	X2	X2	X5	X11	X2

ReliaHome™

P - Series

DRAWING NUMBER	Rev	Units
1TQC163300E0121	C	Inches