

Project		Catalog #		Type	
Prepared by		Notes		Date	



HALO

HLCE Selectable Surface Mount LED Disk Lights

Low-profile selectable 4" and 6" Disk Lights that are damp-listed, dim to 10%, and mount directly to junction boxes or recessed housings. Decorative overlays and California versions available.¹

Typical Applications

Residential • Multifamily • Hospitality

Interactive Menu

- Order Information page 2
- Product Specifications page 3
- Photometric Data page 4
- Product Warranty
- Dimming Guide

Product Certification*



Refer to Energy Star Certified Products List. Certified to California Title 20 Appliance Efficiency Database. Can be used to comply with California Title 24 high efficiency requirements.

Product Features

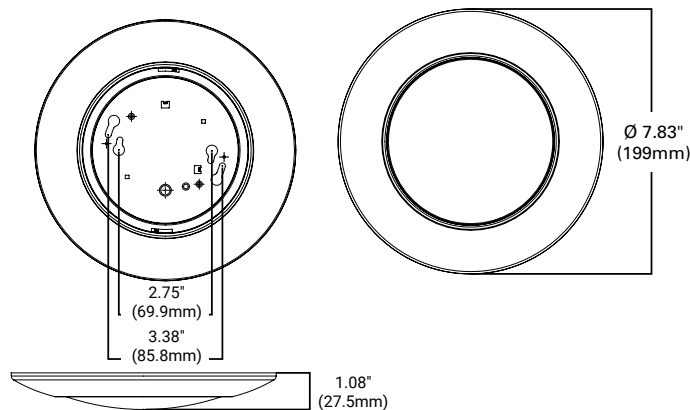


Top Product Features

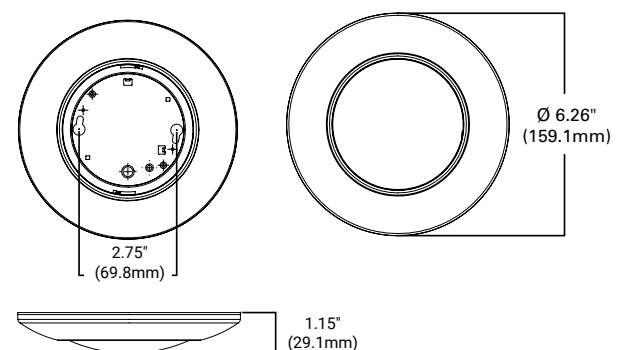
- Field selectable 5CCT (2700K, 3000K, 3500K, 4000K, 5000K), 90 CRI minimum
- Below the ceiling installation, no clips or plates needed
- Installs in most 3-1/2" and 4" standard and pancake junction boxes²
- Dimmable down to 10%¹
- Damp Location Listed

Dimensional and Mounting Details

HLCE6129FS1E



HLCE4079FS1E



*T24 and RoHS are self-tested by Cooper Lighting Solutions. Not a third party certification.

Order Information

4" Disk Light

Catalog Number	Description	CRI	CCT	Dimming	Finish	Packaging	Packaging Dimensions	UPC
HLCE4079FS1E	4-inch LED Disk Light, 900 lumens	90+ CRI	5CCT (2700K, 3000K, 3500K, 4000K, 5000K)	Phase Cut dimming 10%	Matte White	Single Pack	6.9" x 1.8" x 6.9"	080083286904
HLCE4079FS1E-12P	4-inch LED Disk Light, 900 lumens	90+ CRI	5CCT (2700K, 3000K, 3500K, 4000K, 5000K)	Phase Cut dimming 10%	Matte White	12 Pack	16.9" x 8.6" x 8"	080083286706
HLCE4079FS1E-18P	4-inch LED Disk Light, 900 lumens	90+ CRI	5CCT (2700K, 3000K, 3500K, 4000K, 5000K)	Phase Cut dimming 10%	Matte White	18 Pack	15.4" x 13.4" x 8"	080083286744
HLCE4079FS1E-CA	4-inch LED Disk Light, 900 lumens	90+ CRI	5CCT (2700K, 3000K, 3500K, 4000K, 5000K)	Phase Cut dimming 10%	Matte White	Single Pack California	6.9" x 1.8" x 6.9"	080083286942
HLCE4079FS-12P-CA	4-inch LED Disk Light, 900 lumens	90+ CRI	5CCT (2700K, 3000K, 3500K, 4000K, 5000K)	Phase Cut dimming 10%	Matte White	12 Pack California	16.9" x 8.6" x 8"	080083286782
HLCE4079FS-18P-CA	4-inch LED Disk Light, 900 lumens	90+ CRI	5CCT (2700K, 3000K, 3500K, 4000K, 5000K)	Phase Cut dimming 10%	Matte White	18 Pack California	15.4" x 13.4" x 8"	080083286829

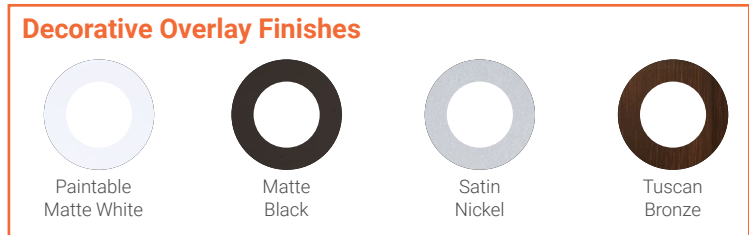
6" Disk Light

Catalog Number	Description	CRI	CCT	Dimming	Finish	Packaging	Packaging Dimensions	UPC
HLCE6129FS1E	6-inch LED Disk Light, 1200 lumen	90+ CRI	5CCT (2700K, 3000K, 3500K, 4000K, 5000K)	Phase Cut dimming 10%	Matte White	Single Pack	8.5" x 1.8" x 8.5"	080083286928
HLCE6129FS1E-6P	6-inch LED Disk Light, 1200 lumen	90+ CRI	5CCT (2700K, 3000K, 3500K, 4000K, 5000K)	Phase Cut dimming 10%	Matte White	6 Pack	10.2" x 9.5" x 9.6"	080083286867
HLCE6129FS1E-12P	6-inch LED Disk Light, 1200 lumen	90+ CRI	5CCT (2700K, 3000K, 3500K, 4000K, 5000K)	Phase Cut dimming 10%	Matte White	12 Pack	16.5" x 10.3" x 9.6"	080083286720
HLCE6129FS1E-18P	6-inch LED Disk Light, 1200 lumen	90+ CRI	5CCT (2700K, 3000K, 3500K, 4000K, 5000K)	Phase Cut dimming 10%	Matte White	18 Pack	18.7" x 13" x 9.6"	080083286768
HLCE6129FS1E-CA	6-inch LED Disk Light, 1200 lumen	90+ CRI	5CCT (2700K, 3000K, 3500K, 4000K, 5000K)	Phase Cut dimming 10%	Matte White	Single Pack California	8.5" x 1.8" x 8.5"	080083286966
HLCE6129FS-6P-CA	6-inch LED Disk Light, 1200 lumen	90+ CRI	5CCT (2700K, 3000K, 3500K, 4000K, 5000K)	Phase Cut dimming 10%	Matte White	6 Pack California	10.2" x 9.5" x 9.6"	080083286881
HLCE6129FS-12P-CA	6-inch LED Disk Light, 1200 lumen	90+ CRI	5CCT (2700K, 3000K, 3500K, 4000K, 5000K)	Phase Cut dimming 10%	Matte White	12 Pack California	16.5" x 10.3" x 9.6"	080083286805
HLCE6129FS-18P-CA	6-inch LED Disk Light, 1200 lumen	90+ CRI	5CCT (2700K, 3000K, 3500K, 4000K, 5000K)	Phase Cut dimming 10%	Matte White	18 Pack California	18.7" x 13" x 9.6"	080083286843

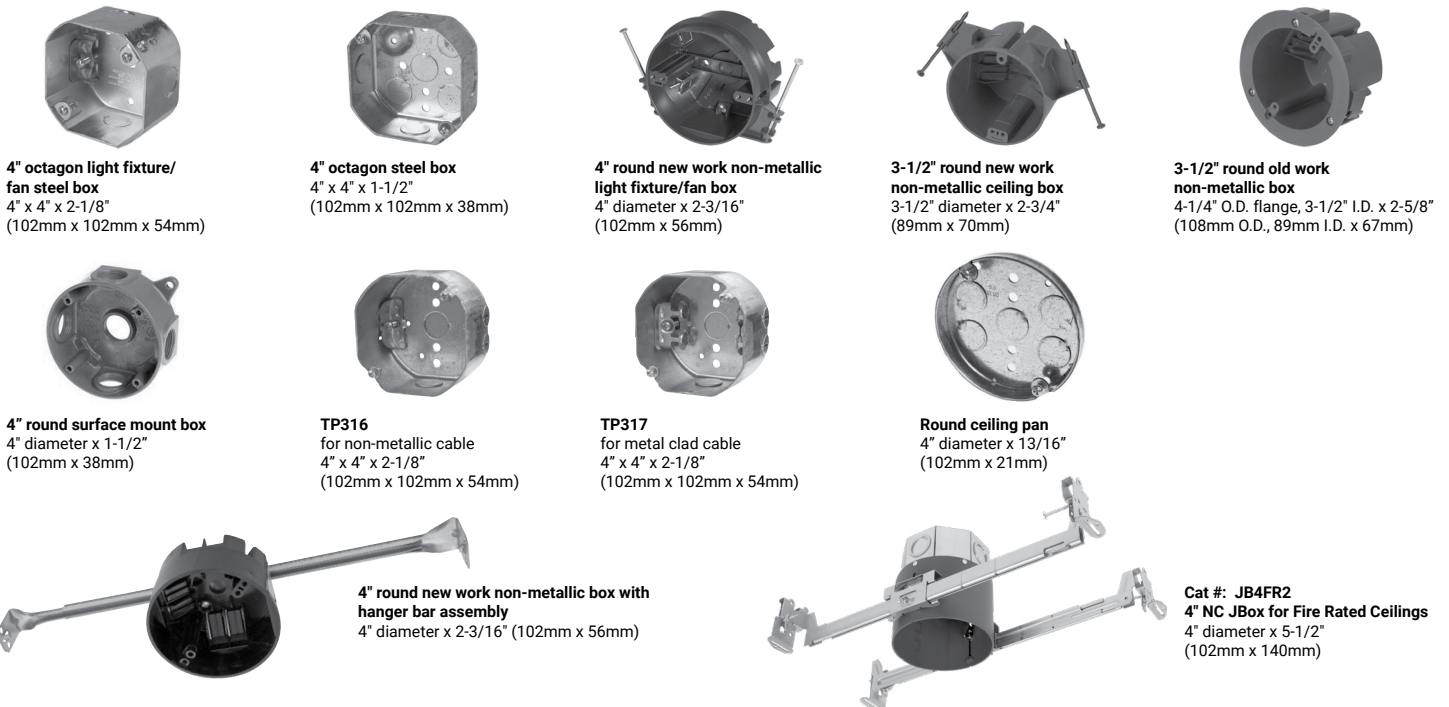
Accessories (sold separately)

Note: Non-California versions include an E26 medium screw-base Edison adapter for installation into compatible housings.

Accessories
Designer Trim Accessories
HLCE4TRMMW = 4" round Paintable Matte White Overlay
HLCE4TRMMB = 4" round Matte Black Overlay
HLCE4TRMSN = 4" round Satin Nickel Overlay
HLCE4TRMTBZ = 4" round Tuscan Bronze Overlay
HLCE6TRMMW = 6" round Paintable Matte White Overlay
HLCE6TRMMB = 6" round Matte Black Overlay
HLCE6TRMSN = 6" round Satin Nickel Overlay
HLCE6TRMTBZ = 6" round Tuscan Bronze Overlay



Compatible Junction Boxes²



1. Review the product's Dimming Guide for approved compatible dimmers.
 2. This is a representative list of compatible junction boxes only. Information contained in this literature about other manufacturers' products is from published information made available by the manufacturer and is deemed to be reliable, but has not been verified. Cooper Lighting Solutions makes no specific recommendation on product selection and there are no warranties of performance or compatibility implied. Installer must determine that site conditions are suitable to allow proper installation of the mounting bracket in the box.

Housing – Compatibility

The non-California HLCE Series LED Disc Light is UL Certified for use with the following recessed housings.

HLCE4 & HLCE6	<p>4" Housings E4TATSB = 4" non-IC, airtight shallow new construction housing, adjustable socket bracket, E26, 120V E4RTATSB = 4" non-IC, airtight shallow remodeler housing, adjustable socket bracket, E26, 120V E4ICATSB = 4" non-IC, airtight shallow new construction housing, adjustable socket bracket, E26, 120V</p> <p>Fire Rated JB4FR2 = 4" New Construction JBox for fire rated ceilings, IC, 2HR H450FR2ICATD010 = 4" New Construction, IC, Fire Rated Housing 2 hour fire rated</p>
HLCE4 & HLCE6	<p>5" Housings H25ICAT = 5" IC, airtight shallow new construction housing H5ICAT = 5" Insulated Ceiling, Air-Tite New Construction Housing H5RICAT = 5" IC, airtight remodel housing, E26 medium base, 120V E5ICAT = 5" IC, airtight new construction housing, E26 medium base, 120V E5RICAT = 5" IC, airtight remodeler housing, E26 medium base, 120V</p>
HLCE6	<p>6" Housings H27ICAT = 6" IC, airtight shallow new construction housing H27RICAT = 6" IC, airtight shallow remodel housing E27ICAT = 6" IC, airtight shallow new construction housing E27RICAT = 6" IC, airtight shallow remodel housing E27TAT = 6" non-IC, airtight shallow new construction housing E27RTAT = 6" non-IC, airtight shallow remodel housing H7ICAT = 6" IC, airtight new construction housing, E26 medium base, 120V H7RICAT = 6" IC, airtight remodel housing, E26 medium base, 120V E7ICAT = 6" IC, airtight new construction housing, E26 medium base, 120V E7RICAT = 6" IC, airtight remodeler housing, E26 medium base, 120V E7TAT = 6" non-IC, airtight new construction housing, E26 medium base, 120V E7RTAT = 6" non-IC, airtight remodeler housing, E26 medium base, 120V</p>

Product Specifications

Construction

- Stamped steel

Optics

- Precision engineered optic provides uniform luminance from a low-profile convex lens
- Removable lens for easy install from below installation

LED

- Back lit LED technology
- 5CCT Field Selectable color temperature (2700K, 3000K, 3500K, 4000K, 5000K)
- Color Quality: 90 CRI minimum
- Color Accuracy within 6 SDCM at the CCT endpoints, provide color accuracy and uniformity
- Expected Life: L70 at 50,000 hours projected in accordance with TM-21

Driver

- Integral 120V 60 Hz constant current driver provides noise free operation
- Continuous, flicker-free dimming from 100% to 10% (See Dimming Guide for compatible dimmers)

Dimming

- Continuous, flicker-free dimming from 100-10% with 120V phase cut Leading Edge (LE) and Trailing Edge (TE) dimmers.

TIPS: For optimal dimming performance, consider dimmers with low-end trim adjustment and note that some dimmers require a neutral wire in the wallbox. (See the [HLC Dimming Guide](#) and then consult dimmer manufacturer for compatibility and conditions of use.)

Electrical Junction Box Mounting

- HLCE fixtures may be used in compatible electrical junction boxes in direct contact with insulation including spray foam insulation
- Installs from below the ceiling
- Suitable for installation in most 3-1/2" and 4" octagon and round electrical junction boxes.
- Compatible with compact (pancake) junction boxes
- Installer must ensure compatibility of fit, wiring and proper mounting in the electrical junction box. This includes all applicable national and local electrical and building coded NEMA LSD 57-2013

Recessed Housing Mounting

- Extension Springs for 5" & 6" housings included in the box
- Not for use in recessed housings in direct contact with spray foam insulation refer to NEMA LSD 57-2013
- Compatible with Halo 5" and 6" housings

Electrical Power Connections

- Wire nuts provided for mains connections
- The included E26 medium screw-base Edison adapter provides easy retrofit of incandescent housings (non-California product only).

Compliance

- cULus certified for US and Canada
- Damp location listed
- Airtight per ASTM-E283 (no gasket necessary)
- Suitable for use in clothes closets when installed in accordance with the NEC 410.16 spacing requirements
- EMI/RFI emissions per FCC 47CFR Part 15 consumer limits
- Contains no mercury or lead and RoHS compliant*
- Photometric testing in accordance with IES LM-79-08
- Lumen maintenance projections in accordance with IES LM-80-08 and TM-21-11
- ENERGY STAR® certified, reference Certified Light Fixtures database
- Certified to State of California Title 20, State-regulated LED Lamp; reference Modernized Appliance Efficiency Database System (MAEDBS) for State-regulated LED Lamp
- Can be used for State of California Title 24 high efficacy LED compliance under JA8*, reference Modernized Appliance Efficiency Database System (MAEDBS) for 2022 JA8 High Efficacy Lighting

Warranty

- Five year limited warranty, consult website for details. www.cooperlighting.com/warranty

*T24 and RoHS are self-tested by Cooper Lighting Solutions. Not a third party certification.

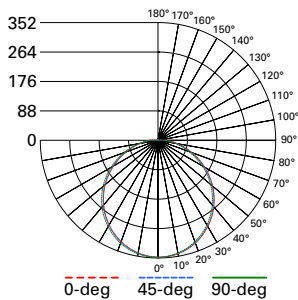
Energy Data

	HLCE4079FS1E	HLCE6129FS1E
Lumens (nom)	900	1200
Input Voltage (VAC)	120	120
Input Current (A)	0.091	0.119
Efficiency (LpW)	78	74
Inrush Current (A)	0.81	0.912
Inrush Duration (ms)	72	75
THD	45	45
PF	≥ 0.90	≥ 0.90
T Ambient (C)	25°C	25°C
Sound Rating	≤ 20dBA	≤ 20dBA

Catalog Number	CCT	Watts	lumens	LPW	CRI
HLCE4	2700K	12.8	1025	80.2	93
	3000K	12.5	1040	83.2	93
	3500K	12.9	1085	84.3	93
	4000K	12.9	1095	84.8	93
	5000K	12.8	1070	83.7	93

Catalog Number	CCT	Watts	lumens	LPW	CRI
HLCE6	2700K	14.8	1200	81.1	93
	3000K	14.8	1220	82.4	93
	3500K	15.0	1275	85.3	93
	4000K	14.9	1280	85.8	93
	5000K	14.8	1260	85.2	93

Photometric Data

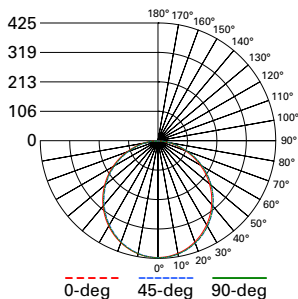


HLCE4079FS1EWH-3000K

Spacing criterion:
 (0-180) 1.25 | (90-270) 1.26 |
 (Diagonal) 1.37
 Beam Angle: 113°
 Field Angle: 169°
 Lumens: 1040
 Input Watts: 12.5 W
 Efficacy: 83.2 LPW
 UGR: 21
 Test Report: P855574

Zonal Lumen	Lumens	% Lumens
0-30	272	26.2
0-40	446	42.9
0-60	791	76.1
0-90	1040	100

TM-30-15	Rf = 92
	Rg = 101
CRI/CIE	Ra = 96.2
	R9 = 76.8



HLCE6129FS1EWH-3000K

Spacing criterion:
 (0-180) 1.25 | (90-270) 1.25 |
 (Diagonal) 1.37
 Beam Angle: 112°
 Field Angle: 165°
 Lumens: 1220
 Input Watts: 14.8 W
 Efficacy: 82.4 LPW
 UGR: 21
 Test Report: P855579

Zonal Lumen	Lumens	% Lumens
0-30	328	26.9
0-40	536	43.9
0-60	947	77.6
0-90	1220	100

TM-30-15	Rf = 92
	Rg = 101
CRI/CIE	Ra = 96.2
	R9 = 76.4

