

NEMA 1 ENCLOSURES

1100 E



CATALOG NUMBER	DIMENSIONS					KNOCKOUTS		SHIP WGHT LBS.
	A	B	C	D	E	FACE A	FACE B	
1100 E060603	6	6	3	4	4	2-3-4	2-3-4	2
1100 EN040404	4	4	4	2	--	--	--	1
1100 E060604†	6	6	4	4	4	2-3-4	2-3-4	3
1100 E080604	8	6	4	6	4	6-7-8-9	2-3-4	3
1100 E080804†	8	8	4	6	6	6-7-8-9	6-7-8-9	4
1100 E100804	10	8	4	8	6	6-7-8-9	6-7-8-9	5
1100 E101004†	10	10	4	8	8	6-7-8-9	3-4-5-6-7	6
1100 E120604	12	6	4	10	4	3-4-5-6-7	2-3-4	5
1100 E120804	12	8	4	10	6	3-4-5-6-7	6-7-8-9	6
1100 E121004	12	10	4	10	8	3-4-5-6-7	3-4-5-6-7	7
1100 E121204†	12	12	4	10	10	3-4-5-6-7	3-4-5-6-7	8
1100 E151204	15	12	4	13	10	2-3-4-5-6-7-8	3-4-5-6-7	10
1100 E151504	15	15	4	13	13	2-3-4-5-6-7-8	2-3-4-5-6-7-8	13
1100 E181204	18	12	4	16	10	1-2-3-4-5-6-7-8-9	3-4-5-6-7	11
1100 E181504	18	15	4	16	13	1-2-3-4-5-6-7-8-9	2-3-4-5-6-7-8	14
1100 E181804	18	18	4	16	16	1-2-3-4-5-6-7-8-9	1-2-3-4-5-6-7-8-9	16
1100 E060606†	6	6	6	4	4	2-3-4	2-3-4	3
1100 E080606	8	6	6	6	4	6-7-8-9	2-3-4	5
1100 E080806†	8	8	6	6	6	6-7-8-9	6-7-8-9	5
1100 E100806	10	8	6	8	6	6-7-8-9	6-7-8-9	6
1100 E101006†	10	10	6	8	8	6-7-8-9	3-4-5-6-7	7
1100 E120806	12	8	6	10	6	3-4-5-6-7	6-7-8-9	7
1100 E121006	12	10	6	10	8	3-4-5-6-7	3-4-5-6-7	9
1100 E121206†	12	12	6	10	10	3-4-5-6-7	3-4-5-6-7	10
1100 E151206	15	12	6	13	10	2-3-4-5-6-7-8	3-4-5-6-7	11
1100 E161606	16	16	6	14	14	2-3-4-5-6-7-8	2-3-4-5-6-7-8	14
1100 E181206	18	12	6	16	10	1-2-3-4-5-6-7-8-9	3-4-5-6-7	13
1100 E181506	18	15	6	16	13	1-2-3-4-5-6-7-8-9	2-3-4-5-6-7-8	15
1100 E181806	18	18	6	16	16	1-2-3-4-5-6-7-8-9	1-2-3-4-5-6-7-8-9	17
1100 E241806	24	18	6	22	16	1-2-3-4-5-6-7-8-9	1-2-3-4-5-6-7-8-9	27
1100 E242406	24	24	6	22	22	1-2-3-4-5-6-7-8-9	1-2-3-4-5-6-7-8-9	34
1100 EN302406	30	24	6	28	22	--	--	42
1100 EN161608	16	16	8	14	14	--	--	14
1100 EN242408	24	24	8	22	22	--	--	38
1100 EN202010	20	20	10	18	18	--	--	32
1100 EN242410	24	24	10	22	22	--	--	41
1100 EN302010	30	20	10	28	18	--	--	44
1100 EN303010	30	30	10	28	28	--	--	60
1100 EN362410	36	24	10	34	22	--	--	59
1100 EN363612	36	36	12	34	34	--	--	70
1100 EN484812	48	48	12	46	46	--	--	112

Note :

Type E boxes are also available without knockouts, as series 1100 EN.
(ie : 1100 EN161608)



Data subject to change without notice.

Type E junction boxes

- Quick Features :**
- 1/4 turn lock
 - Door opens over 180°
 - Door removed easily
 - Knockout provided
 - Powder coating



Visit www.eurobex.com for details.

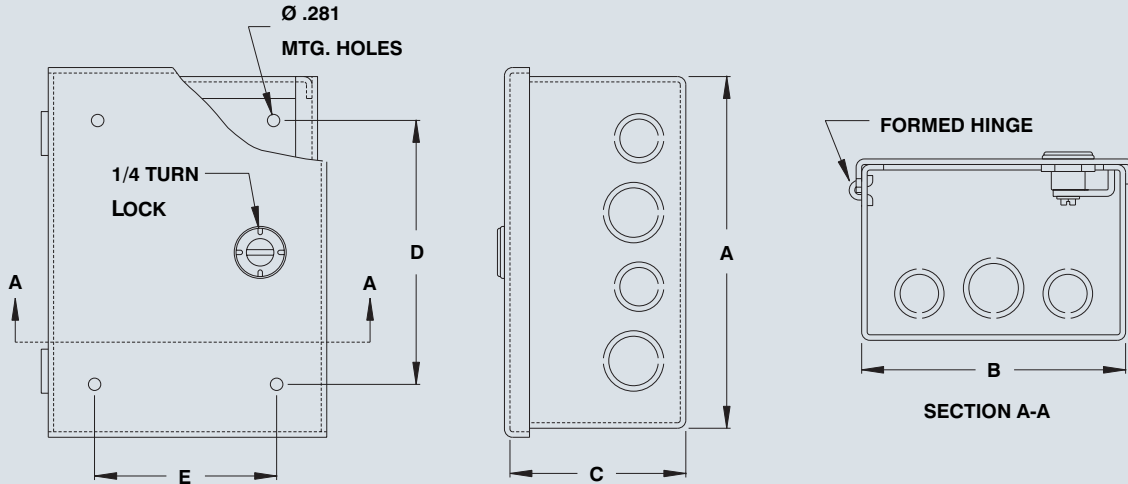
Call us toll free 1-800-363-2423

The 1100 E boxes are used as surface mounting junction boxes, switch boxes or general service boxes. Boxes and covers are made from 14 GA or 16 GA steel. Four internal mounting holes, a bonding screw and attachment are provided. All four sides have

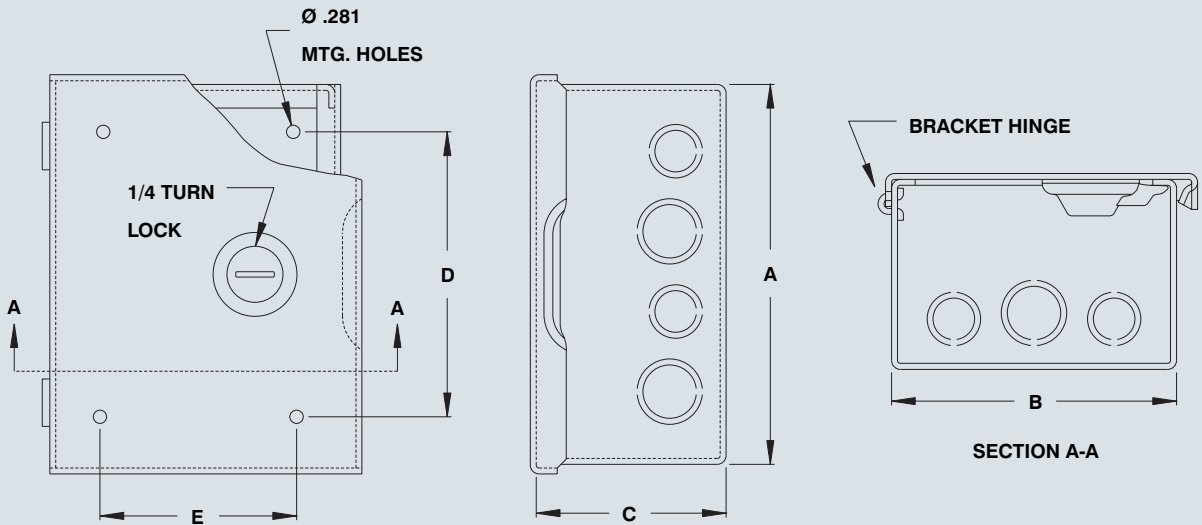
concentric knockouts, except as noted. Also available without knockouts (add suffix "N" to the catalog number). These boxes feature formed steel hinges, a 1/4 turn lock and a formed handle to permit easy opening. The 1100 E is also avail-

able with a keylock option. Enclosures are finished with heat fused polyester powder, electrostatically applied on a phosphatized base. Box is ANSI/ASA 61 grey (other colors available). **CSA Certified / UL Listed NEMA 1 / IP20**

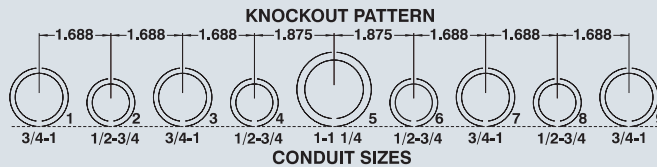
DRAWING EXCEPT WHERE NOTED †



DRAWING WHERE NOTED †



*** Note :**
Suggested accessories noted * are not compatible with 1100 E boxes which are noted †.



Data subject to change without notice.

Suggested Accessories



p.340*

p.340*

p.340*

p.340*

p.340*

p.340*

p.368