

AB – BRAVA®

ELECTRIC BASEBOARD



BRAVA®



THE REFERENCE ON THE MARKET

The AB baseboard's reputation is well established. It's simply the most recognized and sought-after baseboard on the market. Now known as the Brava, this strong and durable baseboard stands out thanks to its rounded corners and unique, no-end-cap, one-piece design.

- **ROUNDED CORNERS**
- **QUICK AND EASY INSTALLATION**
- **STRONG CABINET**
ONE-PIECE CONSTRUCTION
- **MAY BE CONTROLLED BY A BUILT-IN OR WALL THERMOSTAT**

COLORS

- **standard:** white
- **Orora (optional):** refer to www.stelpro.com/en-US/orora

FINISH

- epoxy-polyester powdercoat

MANUFACTURING

- 22-gauge steel casing able to support 75 kg (165 lb) at its centre
- full-length thermal protection with automatic reset
- cabinet designed to ensure optimal hot air distribution
- full-length wireway

ELEMENT

- single tubular, stainless steel sheathed element with boxed aluminum fins for improved heat dissipation; the element is securely fastened at its centre, floating in nylon sleeves at each end, eliminating expansion and contraction noises

CONTROL

- built-in thermostat installed in the left or right junction box (optional)
- single pole electronic thermostat installed in the left or right junction box (optional)
- wall thermostat (not included) – the use of an electronic thermostat is strongly recommended
- low voltage relay kit installed in the left junction box only (optional)

INSTALLATION

- surface mounted
- knockouts for the BX and clamps for the NMD cables located at each end
- mounting holes spaced at 1-inch intervals along the top and the bottom of the unit

WARRANTY

- five years, *three years on electronic components and lifetime warranty on heating element (for original owner)

IDEAL FOR:

kitchen, living room, bedroom, office, basement, commercial space

°STELPRO

Stelpro reserves the right to modify at any time the description, manufacturing, or price of its products. Additionally, Stelpro may apply restocking fees or refuse a refund based on one or more of the following criteria: optional color, custom product, assembly with low-demand options. For the latest product information and prices regarding the products, please visit the website www.stelpro.com.



TECHNICAL SPECIFICATIONS

DENSITY OF 250 W PER LINEAR FOOT	POWER		VOLTAGE	LENGTH	WEIGHT
	WATTS	BTU/H	VOLTS	IN.	LB
CODE					
AB03019W	300	1024	120	22	4.3
AB03089W	300	1024	208	22	4.3
AB03029W	300/225	1024/768	240/208	22	4.3
AB0501W	500	1706	120	27 7/8	7
AB0508W	500	1706	208	27 7/8	7
AB0502W	500/375	1706/1280	240/208	27 7/8	7
AB0507W	500/375/280	1706/1280/956	277/240/208	27 7/8	7
AB0751W	750	2560	120	37 5/8	9
AB0758W	750	2560	208	37 5/8	9
AB0752W	750/560	2560/1911	240/208	37 5/8	9
AB0757W	750/560/425	2560/1911/1450	277/240/208	37 5/8	9
AB41001W	1000	3413	120	48	11
AB41008W	1000	3413	208	48	11
AB41002W	1000/750	3413/2560	240/208	48	11
AB41007W	1000/750/565	3413/2560/1928	277/240/208	48	11
AB51251W	1250	4266	120	60	14
AB51258W	1250	4266	208	60	14
AB51252W	1250/940	4266/3208	240/208	60	14
AB51257W	1250/940/705	4266/3208/2406	277/240/208	60	14
AB61501W	1500	5119	120	72	16
AB61508W	1500	5119	208	72	16
AB61502W	1500/1125	5119/3839	240/208	72	16
AB61507W	1500/1125/845	5119/3839/2884	277/240/208	72	16
AB1758W	1750	5972	208	76	18
AB1752W	1750/1315	5972/4488	240/208	76	18
AB1757W	1750/1300/985	5972/4437/3361	277/240/208	76	18
AB82008W	2000	6825	208	96	20
AB82002W	2000/1500	6825/5119	240/208	96	20
AB82007W	2000/1500/1125	6825/5119/3839	277/240/208	96	20
AB82258W	2250	7679	208	96	22
AB82252W	2250/1690	7679/5767	240/208	96	22
AB82257W	2250/1690/1265	7679/5767/4317	277/240/208	96	22
AB2508W	2500	8532	208	102 5/8	24
AB2502W	2500/1875	8532/6399	240/208	102 5/8	24
AB2507W	2500/1875/1405	8532/6399/4795	277/240/208	102 5/8	24

Consult the optional colors chart or contact your Stelpro representative for all other colors.

Add HA for the high altitude version

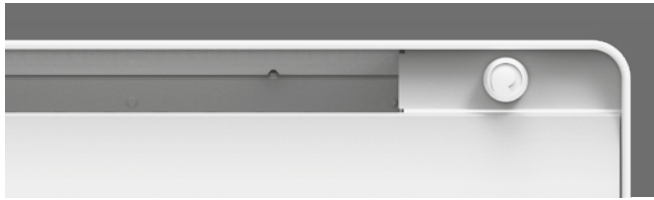
Please note that the width of the units may vary by more or less 1/16 in.

480 V available upon request

BUILT-IN THERMOSTATS



SIBTE - ELECTRONIC



SIBTx - MECHANICAL

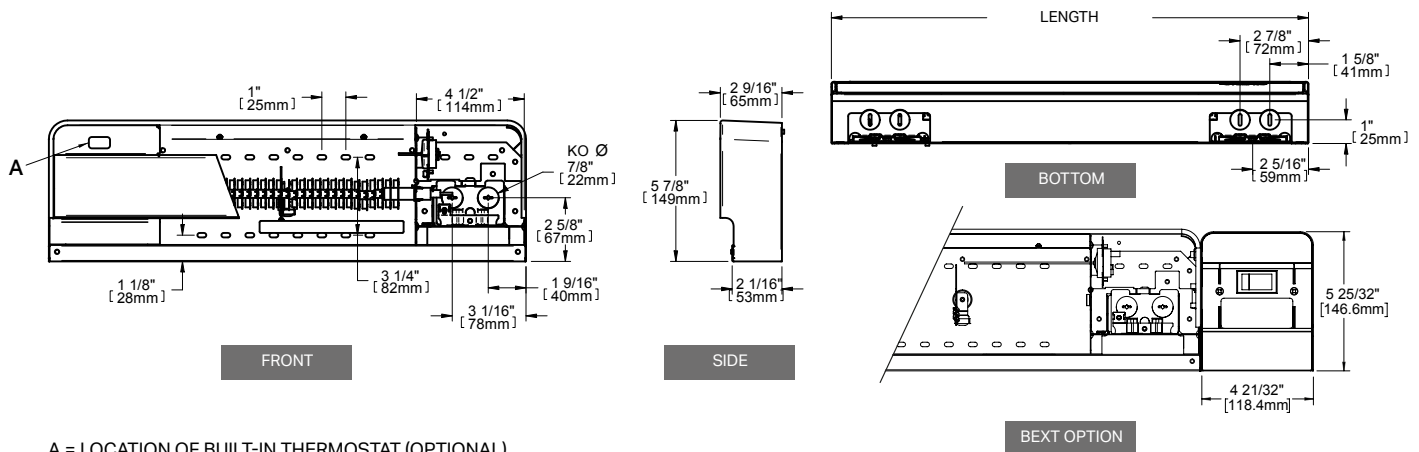


ACCESSORIES

PRODUCT	DESCRIPTION
SIBTE12F	built-in electronic thermostat – Fahrenheit [120 V-240 V]
SIBTE13F	built-in electronic thermostat – Fahrenheit [277 V-347 V]
SIBT1W	built-in single pole thermostat [120 V-600 V]
SIBT2W	built-in double pole thermostat [120 V-600 V]
SIBT2TPW	built-in tamper-proof double pole thermostat [120 V-600 V]
BRE153*	built-in electronic low voltage relay [15 A @ 120 V-347 V]
BRE156*	built-in electronic low voltage relay [6 A @ 600 V]
BRE153T*	built-in electronic low voltage relay c/w transformer 24 V [15 A @ 208 V-347 V]
BDIS277W*	disconnect switch [20 A @ 120 V-277 V]
BEXTW*	extension (4 3/4 in.) to use with three integrated controls
BPW	spray paint white

Electronic relays can receive a PWM (pulsed width modulation) or digital (on/off) signal.
 * Factory installation

TECHNICAL DRAWINGS



A = LOCATION OF BUILT-IN THERMOSTAT (OPTIONAL)



Stelpro reserves the right to modify at any time the description, manufacturing, or price of its products. Additionally, Stelpro may apply restocking fees or refuse a refund based on one or more of the following criteria: optional color, custom product, assembly with low-demand options. For the latest product information and prices regarding the products, please visit the website www.stelpro.com.