

EM. STOP MUSHROOM PUSHBUTTON, 22MM, ROUND, PLASTIC, RED, 40MM, POSITIVE LATCHING, ROTATE TO UNLATCH



Figure similar

product brand name	SIRIUS ACT
Product designation	Commanding and signaling devices

Actuator:	
Manner of function of the actuating element	Latching
Product expansion optional Light source	No
Color	
• of the actuating element	Red
Material of the actuating element	plastic
Shape of the actuating element	round
Outer diameter of the actuating element	40 mm
Type of unlocking device	rotate-to-unlatch mechanism
Number of switching positions	2

Front ring:	
Product component front ring	No

General technical data:	
Product function	
• positive opening	Yes
• EMERGENCY OFF function	Yes

• EMERGENCY STOP function	Yes
<b>Protection class IP</b>	IP66, IP67, IP69(IP69K)
<b>Shock resistance</b>	
• acc. to IEC 60068-2-27	Sinusoidal half-wave 50 g / 11 ms
• for railway applications acc. to DIN EN 61373	Category 1, Class B
<b>Vibration resistance</b>	
• acc. to IEC 60068-2-6	10 ... 500 Hz: 5g
• for railway applications acc. to DIN EN 61373	Category 1, Class B
<b>Operating frequency maximum</b>	600 1/h
<b>Mechanical service life (switching cycles)</b>	
• typical	300 000
<b>Equipment marking</b>	
• acc. to DIN EN 61346-2	S
• acc. to DIN EN 81346-2	S

#### Safety related data:

<b>B10 value with high demand rate acc. to SN 31920</b>	100 000
---	---------


#### Ambient conditions:

<b>Ambient temperature</b>	
• during operation	-25 ... +70 °C
• during storage	-40 ... +80 °C
<b>Environmental category during operation acc. to IEC 60721</b>	3K6, 3C3, 3S2, 3M6

#### Installation/ mounting/ dimensions:

<b>Shape of the installation opening</b>	round
<b>Mounting diameter</b>	22 mm
<b>Mounting height</b>	45.3 mm
<b>Installation width</b>	40 mm
<b>Installation depth</b>	26.3 mm

#### Certificates/ approvals:

For use in hazardous locations	Declaration of Conformity	other	Railway
<a href="#">Herstellereklärung</a>	 EG-Konf.	<a href="#">Bestätigungen</a>	<a href="#">Bestätigungen</a>

#### Further information

Information- and Downloadcenter (Catalogs, Brochures,...)  
<http://www.siemens.com/industrial-controls/catalogs>

**Industry Mall (Online ordering system)**

<http://www.siemens.com/industrymall>

**Cax online generator**

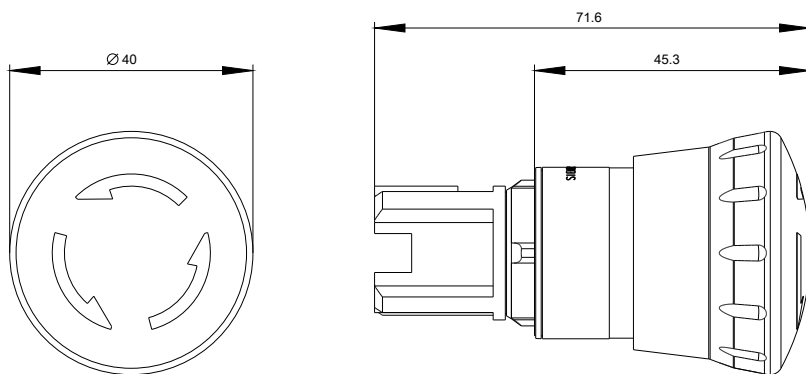
<http://support.automation.siemens.com/WW/CAXorder/default.aspx?lang=en&mfb=3SU10001HB200AA0>

**Service&Support (Manuals, Certificates, Characteristics, FAQs,...)**

<https://support.industry.siemens.com/cs/ww/en/ps/3SU10001HB200AA0>

**Image database (product images, 2D dimension drawings, 3D models, device circuit diagrams, EPLAN macros, ...)**

[http://www.automation.siemens.com/bilddb/cax\\_de.aspx?mfb=3SU10001HB200AA0&lang=en](http://www.automation.siemens.com/bilddb/cax_de.aspx?mfb=3SU10001HB200AA0&lang=en)



**last modified:**

**19.08.2015**