

PUSHBUTTON, 22MM, ROUND, METAL, SHINY, RED, RAISED
BUTTON MOMENTARY CONTACT TYPE



Figure similar

product brand name	SIRIUS ACT
Product designation	Commanding and signaling devices
Design of the product	Pushbutton

Actuator:	
Design of the operating mechanism	pushbutton with raised button
Manner of function of the actuating element	Momentary contact type
Product expansion optional Light source	No
Color	
• of the actuating element	Red
Material of the actuating element	plastic
Shape of the actuating element	round
Outer diameter of the actuating element	29.5 mm
Type of unlocking device	without

Front ring:	
Product component front ring	Yes
Design of the front ring	Standard
Material of the front ring	Metal, high gloss
Color of the front ring	silver

General technical data:

Protection class IP	IP66, IP67, IP69(IP69K)
Shock resistance <ul style="list-style-type: none">• acc. to IEC 60068-2-27	Sinusoidal half-wave 50 g / 11 ms
Vibration resistance <ul style="list-style-type: none">• acc. to IEC 60068-2-6	10 ... 500 Hz: 5g
Operating frequency maximum	3 600 1/h
Mechanical service life (switching cycles) <ul style="list-style-type: none">• typical	10 000 000
Equipment marking <ul style="list-style-type: none">• acc. to DIN EN 61346-2• acc. to DIN EN 81346-2	S S

Ambient conditions:

Ambient temperature <ul style="list-style-type: none">• during operation• during storage	-25 ... +70 °C -40 ... +80 °C
Environmental category during operation acc. to IEC 60721	3K6, 3C3, 3S2, 3M6

Installation/ mounting/ dimensions:

Height	29.5 mm
Width	29.5 mm
Shape of the installation opening	round
Mounting diameter	22 mm
Mounting height	16.2 mm
Installation width	29.5 mm
Installation depth	24.3 mm

Certificates/ approvals:

For use in hazardous locations	other
Herstellereklärung	Bestätigungen

Further information

Information- and Downloadcenter (Catalogs, Brochures,...)

<http://www.siemens.com/industrial-controls/catalogs>

Industry Mall (Online ordering system)

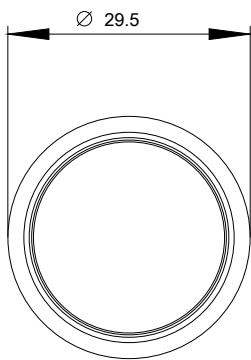
<http://www.siemens.com/industrymall>

Cax online generator

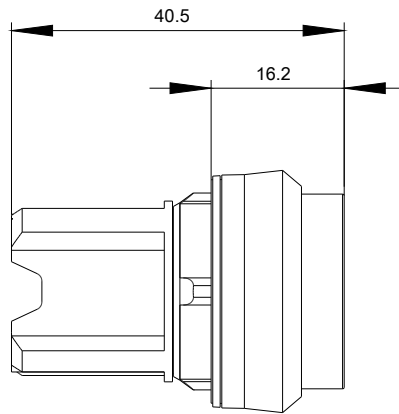
<http://support.automation.siemens.com/WW/CAXorder/default.aspx?lang=en&mfb=3SU10500BB200AA0>

Service&Support (Manuals, Certificates, Characteristics, FAQs,...)

<https://support.industry.siemens.com/cs/ww/en/ps/3SU10500BB200AA0>



last modified:



25.08.2015