



INDUSTRIAL
COMMERCIAL
RESIDENTIAL

A-27 STRAIGHT BLADE RECEPTACLES

TESTING & CODE COMPLIANCE

- UL file:
- Receptacles:
(file no. E15058);
21: UL and cUL,
(file no. E15012).
- CSA (file no. 6914
(6233-01)).
- Meets all CSA
requirements,
C22.2 no. 42.
- NOM Certified,
except as noted.

MATERIAL CHARACTERISTICS

Temperature Rating:
-20°C (without
impact) to 75°C
max. continuous.
5754N, 8430N
and 8450N:
-40°C (without
impact) to 105°C
max. continuous.



Commercial Specification Grade Straight Blade Power Devices

3 Pole, 4 Wire Non-Grounding
NEMA 14-50, 15-30, 15-50
50A 125/250V
30A 250/3Ø
50A 250/3Ø

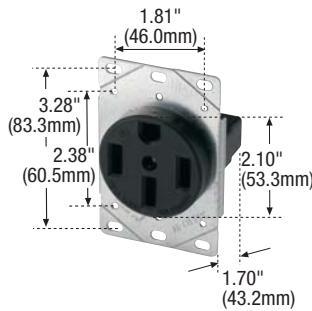
Power Devices

FEATURES

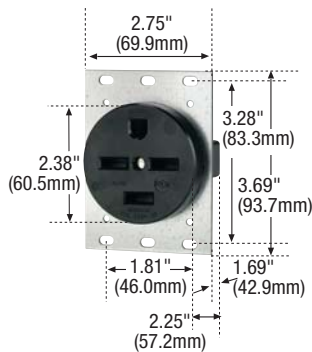
- Heavy gauge steel mounting strap zinc-plated for corrosion resistance.
- Receptacles for use with copper or aluminum wire.
- Surface receptacles have patented lay-in terminals and accept up to #4 wire.
- Universal plugs include blades for 30A or 50A configurations.
- Surface receptacles 0.75" (19.05mm) and 1" (25.4mm) concentric knockouts and adjustable cord clamp allow for wiring from bottom or back.
- Flush receptacles fit one or two gang enclosures.
- High strength glass reinforced nylon body resists breakage in high abuse areas for Catalog No. 5754N, 8430N and 8450N.



1212



1258



8430N

NEMA 14-50 Rating 50A 125/250V

Receptacles

Description	Color	Catalog No.
Surface	Black	1212
On 4.6875" (119.06mm) Steel Cover	Black	1168
Flush	Black	5754N
Flush	Black	1258
Panel Mount	Black	58

Plugs

Description	Color	Catalog No.
Angle Universal - Plastic	Black	21

NEMA 15-30 Rating 30A 250V 3Ø

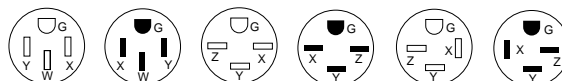
Receptacles

Description	Color	Catalog No.
Flush	Black	8430N

NEMA 15-50 Rating 50A 250V 3Ø

Receptacles

Description	Color	Catalog No.
Flush	Black	8450N



14-50R

14-50P

15-30R

15-30P

15-50R

15-50P