



INDUSTRIAL
COMMERCIAL
RESIDENTIAL

A-23 STRAIGHT BLADE RECEPTACLES

TESTING & CODE COMPLIANCE

• Listed to UL 498 & meets Federal Spec. WC-596 (file no. E2369) except as noted.

Receptacles: (file no. E15058);
Plugs: (file no. E15012).

• CSA Certified to C22.2 no. 42 (file no. LR7087);

Plugs: (file no. 2081 (6221-02),

Receptacle: (file no. 6914 (6233-01).

• NOM Certified.

MATERIAL CHARACTERISTICS

Temperature Rating: -20°C (without impact) to 75°C max. continuous. 5795N and 5709N: V2 rated; -40°C (without impact) to 105°C max. continuous.



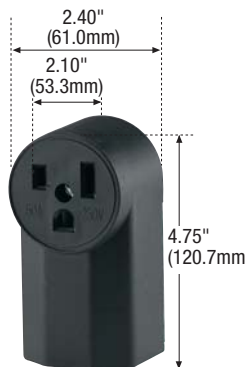
Commercial Specification Grade Straight Blade Power Devices

2 Pole, 3 Wire Grounding
NEMA 6-50, 7-30,
50A 250V, 30A 277V.

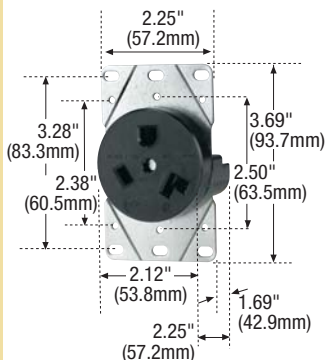
Power Devices

FEATURES

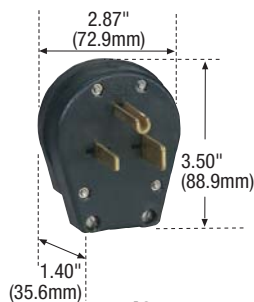
- Heavy gauge steel mounting strap zinc-plated for corrosion resistance.
- Receptacles for use with copper or aluminum wire.
- Surface receptacles have patented lay-in terminals and accept up to #4 wire.
- Universal plugs include blades for 50A configurations.
- Surface receptacles 0.75" (19.05mm) and 1.0" (25.4mm) concentric knockouts and adjustable cord clamp allow for wiring from bottom or back.
- Flush receptacles fit one or two gang enclosures.
- High strength glass reinforced nylon body resists breakage in high abuse areas for Catalog No. 5795N and 5709N.



1252



5795N



42

NEMA 6-50 Rating 50A 250V

Receptacles

Description	Color	Catalog No.
Surface	Black	1252
Flush	Black	5709N
Flush	Brown	1254*

*Not NOM

Plugs

Description	Color	Catalog No.
Angle Universal - Vinyl	Black	42

NEMA 7-30 Rating 30A 277V

Receptacles

Description	Color	Catalog No.
Flush	Black	5795N



6-50R



6-50P



7-30R



7-30P