

## Flush Service Floor Boxes

### Floor Boxes for Single Short-Strap Receptacles or Communications

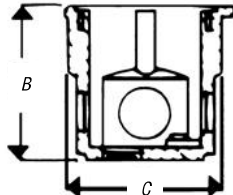
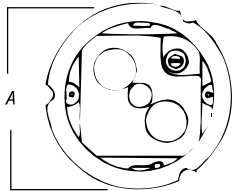
671 and 672 Series Floor Boxes provide flush service for power or communications and data. They can be used in either wood or concrete floors and are suitable for carpet, tile or wood applications.



671SC



672



### 671 and 672 Floor Boxes

- Cast iron, watertight, non-adjustable
- Painted silver enamel inside and out for additional corrosion resistance
- For use in wood or concrete floors
- ½" and ¾" threaded conduit openings; uses P67 Series covers
- Cat. No. 672 is the 671 floor box with factory-mounted 15-ampere, 125-volt, NEMA grounding receptacle and P67-2 MopTite® cover plate



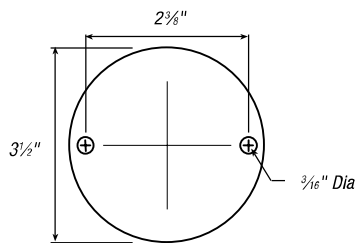
CAT. NO.	DIMENSIONS (IN.)			MAXIMUM CAPACITY (CU. IN.)	STANDARD CONDUIT TAPPING	MAXIMUM CONDUIT TAPPING (IN.)	
	A	B	C			W/BUSHING	W/O BUSHING
671SC	3½	3	2¾	13	(2) ¾"	¾	¾
672	3½	3¾	2¾	13	(4) ½"	¾	¾

CAT. NO.	CONDUIT KOS (IN.)		COVERS/ CARPET PLATES	WIRING DEVICE	STD. CTN.
	SIDES	BOTTOM			
671SC	(2) ½" (2) ¾"	(2) ½"	P67 series	Sing. short Strap rec.	4
672	(2) ½" (2) ¾"	(2) ½"	P67 series	Sing. short Strap rec.	4

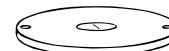
New MopTite® Covers exceed UL watertight requirements for 514A, 514C.

### MopTite® Plates for 671 and 672 Series

- Polished brass finish
- Furnished complete with sealing gasket and 6-32 x ½" brass screws
- 3½" outside diameter



P-67-1/2  
½" N.P.S. plug



P-67-3/4  
¾" N.P.S. plug



P-67-1  
1" N.P.S. plug



P-67-1-1/4\*  
1¼" N.P.S. plug



P-67-2  
2" dia. plug



P-67-1/2-2\*  
½" & 2" dia. plugs



P-67-3/4-2\*  
¾" & 2" dia. plugs

\*Also includes seating plate for receptacle.



CAT. NO.	DESCRIPTION	FINISH	STD. CTN.
P-67-1/2	Cover Plate with ½" NPS Plug	Brass	4
P-67-3/4	Cover Plate with ¾" NPS Plug	Brass	4
P-67-3/4-AL	Cover Plate with ¾" NPS Plug	Aluminum	4
P-67-1	Cover Plate with 1" NPS Plug	Brass	4
P-67-1-AL	Cover Plate with 1" NPS Plug	Aluminum	4
P-67-1-1/4	Cover Plate with 1¼" NPS Plug	Brass	4
P-67-2	Cover Plate with 2" UN Thread Plug	Brass	4
P-67-2-AL	Cover Plate with 2" UN Thread Plug	Aluminum	4
P-67-1/2-2	Cover Plate with ½" & 2" Plug	Brass	4
P-67-3/4-2	Cover Plate with ¾" & 2" Plug	Brass	4

New MopTite® Covers exceed UL scrubwater exclusion requirements.

## Flush Service Floor Boxes

### Carpet Plates for 671 and 672 Floor Boxes

- Polished-brass finish
- Furnished complete with 6-32 x 1"-long brass flathead screws and gasket
- For brushed aluminum, add AL after catalog number
- 3 $\frac{3}{8}$ " outside diameter



P-90-CP



CAT. NO.	DESCRIPTION	STD. CTN.
P-90-CP	Carpet Plate — Brass	4
P-90-CP-AL	Carpet Plate — Aluminum	4

### Accessories for 671 and 672 Floor Boxes

- Use brass edge ring for neat appearance when non-adjustable floor box is installed in concrete
- Edge ring has 3 $\frac{3}{4}$ " OD and adds  $\frac{3}{8}$ " to floor box height
- 15-amp, 125-volt, NEMA grounding type
- Mounted on steel seating plate
- For use with 2" diameter opening floor plate



P-67-F Edge Ring



478-G-12 Short Strap Receptacle



CAT. NO.	DESCRIPTION	STD. CTN.
P-67-F	Brass Edge Ring for Concrete	4
478-G-12	15-Amp, 125-Volt NEMA Grounding Receptacle	4

### Floor Plate Plug Inserts for 78, 88, 671 or 672 Series



CAT. NO.	SIZE OR DESCRIPTION	STD. CTN.
690-SC	1/2"-14" NPS Thread	4
691-SC	3/4"-14" NPS Thread	4
692-SC	1"-11 1/2" NPS Thread	4
693-SC	1 1/4"-11 1/2" NPS Thread	4
694	2"-20" UN Thread	4
695	1/2"-2"	4
696-SC	3/4"-2"	4
697	2 5/8"-20" UN 2A Thread	4
698	1 7/8" for Duplex P-60-DU	4

For standard plug inserts 1/2" through 2", see **page A-155**

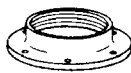
Catalog numbers are for brass.

For aluminum, add AL after catalog number.

### Floor Box Body Parts



8805



8803



8818

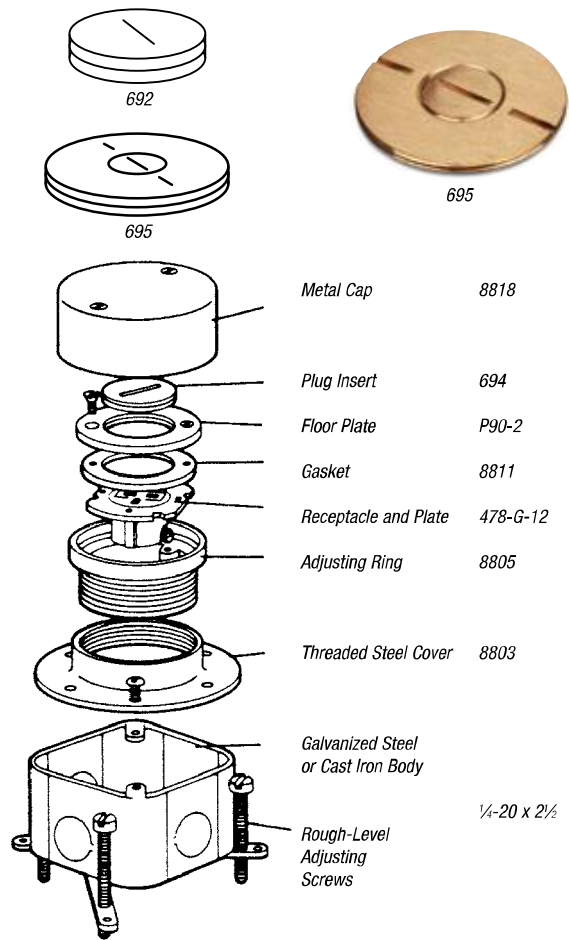


9803



CAT. NO.	DESCRIPTION	STD. CTN.
8805	Brass Adjusting Ring	4
8803	Threaded Steel Body Cover of 78 and 88 Series	4
8818	Metal Protective Cap	4
9803	Threaded Steel Body Cover for 98 Series	4

2 5/8"-20 UN 2A Thread.



Floor Box Assembly with Floor Plate