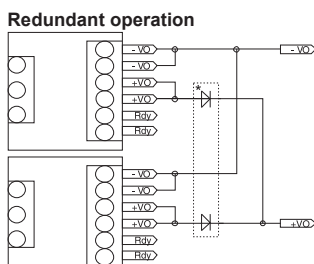
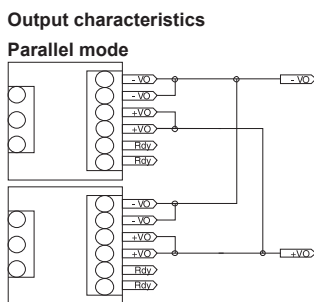
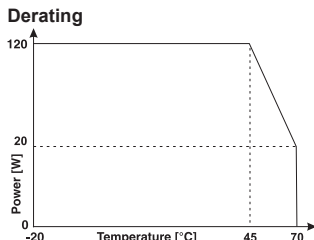
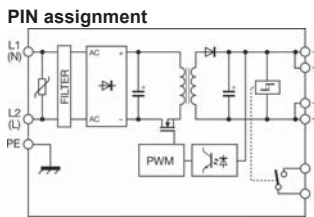
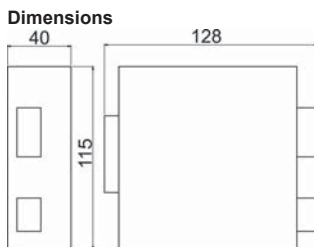


Power supply · regulated, 120 W

Switchmode power supplies, PFC, 1/2-phase
 Input: wide-range input AC 187–550 V, DC 270–725 V
 Output: 24 V, adjustable



* Redundant Module 722987

| Description | Part-No. | Type | PU |
|------------------------------------|---|--------|--------------|
| Screw terminal, pluggable | | | |
| Output voltage/current | DC 24 V / 5 A | 722995 | CPSB2-120-24 |
| | | | 1 |
| Input | | | |
| CPSB2-120-24 | | | |
| Nominal voltage | AC 200–500 V | | |
| Operation voltage range | AC 187–550 V / DC 270–725 V | | |
| Line frequency | 47 – 63 Hz | | |
| Rated current | U _i = AC 200 V: 1.4 A / U _i = AC 500 V: 0.7 A | | |
| Inrush current | <20 A (AC 230 V), <40 A (AC 500 V) | | |
| Internal fuse | – | | |
| External fuse | Automatic: D 6 A, C 6 A / safety fuse: T 4 A (required) | | |
| Power Factor Correction P.F.C. | >0.55 | | |
| Output | | | |
| Rated voltage output | DC 24 V | | |
| Rated current output | 5 A @ 45 °C | | |
| Max. output current | >7.5 A, >30 sec | | |
| Short-circuit current | >14 A, 400 ms | | |
| Voltage trim range | 23-27,5 V | | |
| Accuracy | – | | |
| Line regulation | – | | |
| Load regulation | <1 % | | |
| Rise time | 9 ms (5–95 %) @ 400 V | | |
| Temperature coefficient | – | | |
| Ripple & Noise | <100 mV pp | | |
| Hold up time | >20 ms (AC 120 V), >80 ms (AC 230 V) | | |
| Status indication DC ON LED green | ≥21.6 V | | |
| Status indication DC LOW LED red | I _{out} > 110 % I _N | | |
| Parallel/redundant operation | yes/via external decoupling diode | | |
| Efficiency | >86 % | | |
| Low power loss | <18 W | | |
| Rated over load protection | yes | | |
| Over voltage protection | U _{out} >36 V | | |
| Short circuit characteristics | Hiccup-mode | | |
| General | | | |
| Switching frequency | – | | |
| Insulation voltage input/output | AC 3.0 kV _{eff} | | |
| Insulation voltage input / ground | AC 2.0 kV _{eff} | | |
| Insulation voltage output / ground | AC 0.5 kV _{eff} | | |
| Insulation resistance at DC 500 V | – MΩ | | |
| Operation temperature range | -20 °C – 70 °C (overtemperature protection) | | |
| Derating | >45 °C: -4 W / °C | | |
| Storage temperature range | -25 °C – 85 °C | | |
| M.T.B.F. | >500000 h to SN29500 / >150000 h to MIL standard HDBK 217F | | |
| Relative humidity | 20–90% RH, non-condensing | | |
| Dimensions (w × h × d) in mm | 40.0 × 130.0 × 115.0 | | |
| Cooling | Air convection | | |
| Housing material | Aluminum | | |
| Shock resistance | 30 g 6 ms, 20 g 11 ms, 3 shocks / direction, 18 shocks in total, IEC60068-2-27:2008 | | |
| Vibration resistance | 5 – 17.8 Hz: ±1.6 mm, 17.8 – 500 Hz: 2 g 2 hours / axes X,Y,Z, IEC 60068-2-6:2007 | | |
| Field installation | rail TS 35 (EN 50022) | | |
| Application height | 2000 m | | |
| Installation position | vertical | | |
| Protection class | IP 20 (IEC529, EN60529) | | |
| IP rating | I (SELV, PELV) | | |
| Overvoltage category | II (IEC 664-1) | | |
| Pollution degree | 2 | | |
| Weight (kg/piece) | 0.400 | | |
| Termination | Screw terminal: 0.2–2.5 mm ² (AWG 24–12) - pluggable | | |
| Approvals | UL, cUL: UL 508, IEC 60950 CE: EN 60950, EN 61000-6-2 (2005), EN 60100-6-4 (2007), EN 61000-4-2/3/4/5/6/11, EN 61000-5-5 | | |
| Monitoring | | | |
| DC ON Control (Rdy) | yes | | |
| Switching voltage | AC/DC 300 V / DC 150 V | | |
| Switching current | AC/DC 1 A | | |
| Switching capacity | 300 VA / 30 W | | |
| Insulation voltage | AC 500 V | | |