

LEDVANCE LUMINAIRES

DUAL SELECTABLE WALL PACK – CUT OFF

LEDVANCE LUMINAIRE SPECIFICATION DATA

Catalog #	Comments
Project	
Type	
Prepared by	

PERFORMANCE CLASS™



APPLICATION

The Performance Class Dual Selectable Cut Off Wall Pack boasts both wattage and CCT selectability to cover all your needs. It keeps the same form factor as the old technology for an easy LED upgrade without all the patchwork. With 12 different lumen packages in only 4 SKUs, this full cut off Wall Pack has all your projects covered. It also comes with an integrated photocell and offers plug and play field installable sensors.

BENEFITS & FEATURES

- Up to 150 LPW
- Selectable color temperature: 3000K, 4000K, or 5000K
- CRI>80
- Selectable wattage and lumens:
 - 20/30/35W | 3,000/4,500/5,250 lm
 - 40/50/60W | 6,000/7,500/9,000 lm
 - 65/80/100W | 9,750/12,000/15,000 lm
 - 120/130/150W | 18,800/19,500/22,500 lm
- Type III full cut off distribution
- DLC 5.1 Premium Listing assures high energy efficiency and qualifies this product for utility rebates
- Field installable motion/daylight sensor
- Integrated photocell
- UV stabilized polycarbonate lenses, vandal resistant
- Emergency Battery Backup options



ELECTRICAL

- 120-347 VAC
- Power Factor > 0.9
- THD < 20%
- Dimmable 0-10V
- Surge protection 4 kV

RATED LIFE

- 100,000 hours (L₇₀)
@ 25°C ambient

OPERATING TEMPERATURE

- -40°F to +122°F (-40°C to +50°C)

CERTIFICATIONS & LISTINGS

- cULus listed to UL1598 standards
- RoHs
- FCC
- IP65, wet location rated
- DLC 5.1 Premium

WARRANTY

- 5 year
- NLB Trusted Warranty Program

INSTALLATION

- Wall mount

ORDERING GUIDE

WALPAKC	9A	SXXX	XXX	D	8	SCX	BZ	X
PRODUCT NAME	GENERATION	WATTAGE	VOLTAGE	DIMMING	CRI	COLOR TEMPERATURE	COLOR/FINISH	OPTIONS
WALPAKC = Wall Pack Cutoff	9A = Generation 9A	S035 = 20/30/35W S060 = 40/50/60W S100 = 65/80/100W S150 = 120/130/150W	UNH = 120-347V HUV = 277-480V	D = 0-10V Dimming	80 = >80 CRI	SC2 = 3000/4000/5000K	BZ = Bronze	P = Photocell E = Emergency

ORDERING INFORMATION

ITEM #	ORDERING ABBREVIATION	WATTAGE (W)	INPUT VOLTAGE (V)	DIM. (V)	CRI	COLOR TEMP (CCT)	TOTAL FIXTURE (LM)	DLC	LPW	OPTIONS	BUG RATING
65856	WALPAKC9AS035UNHD8SC2BZP	20/30/35	120-347	0-10	>80	3000/4000/5000	3000/4500/5250	5.1 Prem*	Up to 150	Photocell	coming soon
65860	WALPAKC9AS035UNHD8SC2BZPE	20/30/35	120-347	0-10	>80	3000/4000/5000	3000/4500/5250	5.1 Prem*	Up to 150	Photocell/ Emergency	Coming soon
65857	WALPAKC9AS060UNHD8SC2BZP	40/50/60	120-347	0-10	>80	3000/4000/5000	6000/7500/9000	5.1 Prem*	Up to 150	Photocell	Coming soon
65861	WALPAKC9AS060UNHD8SC2BZPE	40/50/60	120-347	0-10	>80	3000/4000/5000	6000/7500/9000	5.1 Prem*	Up to 150	Photocell/ Emergency	Coming soon
65858	WALPAKC9AS100UNHD8SC2BZP	65/80/100	120-347	0-10	>80	3000/4000/5000	9750/12000/15000	5.1 Prem*	Up to 150	Photocell	Coming soon
65868	WALPAKC9AS100HUV8SC2BZP	65/80/100	277-480	0-10	>80	3000/4000/5000	9750/12000/15000	5.1 Prem*	Up to 150	Photocell	Coming soon
65859	WALPAKC9AS150UNHD8SC2BZP	120/130/150	120-347	0-10	>80	3000/4000/5000	18000/19500/22500	5.1 Prem*	Up to 150	Photocell	Coming soon
65869	WALPAKC9AS150HUV8SC2BZP	120/130/150	277-480	0-10	>80	3000/4000/5000	18000/19500/22500	5.1 Prem*	Up to 150	Photocell	Coming soon

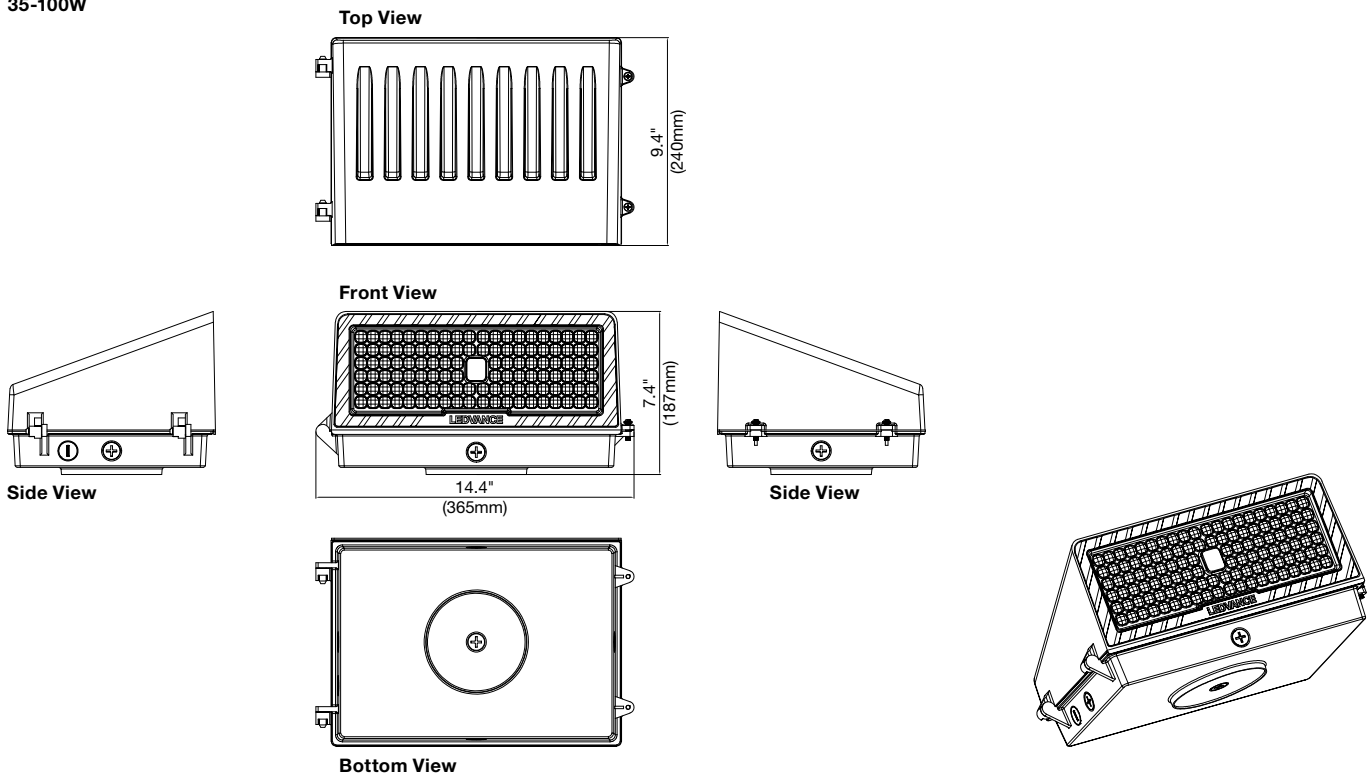
*Pending

PHYSICAL INFORMATION

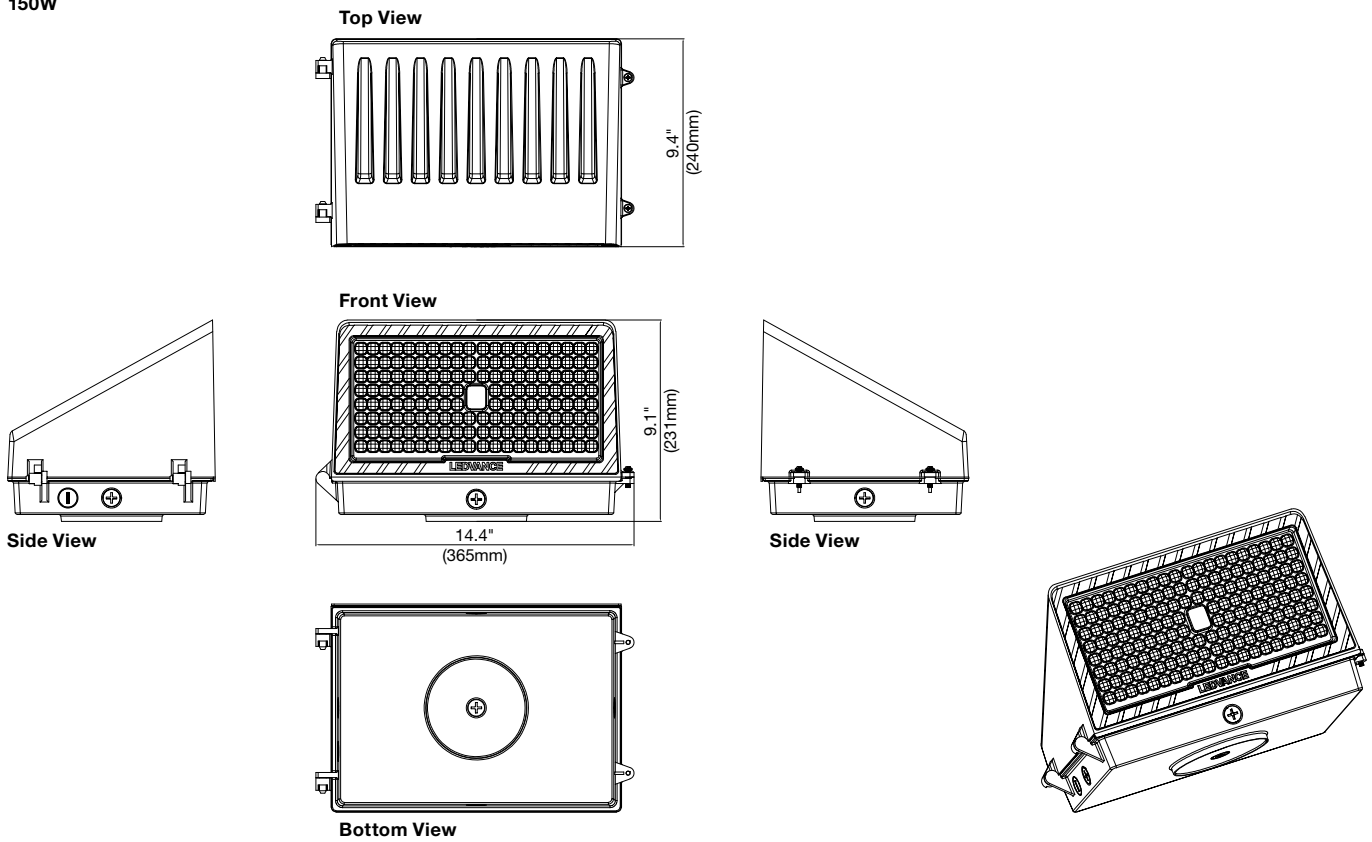
LUMINAIRE DESCRIPTION	LENGTH IN (MM)	WIDTH IN (MM)	HEIGHT IN (MM)	WEIGHT LB (KG)
35W/60W/100W	14.4 (365.4)	9.4 (237)	6.3 (160)	7.4 (3.4)
150W	17.9 (454.4)	9 (229)	6.3 (160)	11 (5.0)

PHYSICAL INFORMATION (continued)

35-100W



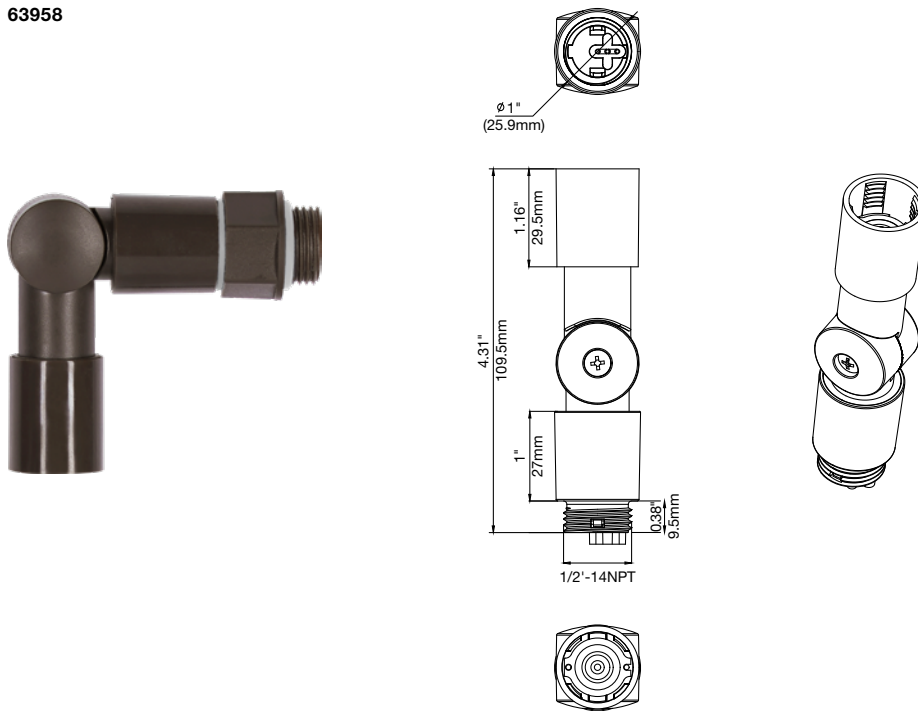
150W



ACCESSORIES

ITEM #	ORDERING ABBREVIATION	ITEM DESCRIPTION
Sensors		
63958	WALPAKN9ASENSORADAPTOR	Daylight/Motion Sensor Adaptor
63748	AREA/PIRMOTIONDAYSENSOR/BZ	Field installable PIR Motion/Daylight Sensor, IP65, Max. mounting height 39ft, Bronze
65732	AREA/MWMOTIONDAYSENSOR/BZ	Field installable Microwave Motion/Daylight Sensor, IP65, Max. mounting height 49ft, Bronze
62664	HIGHBAYPIRMOTIONDAYSENSOR2	Field installable PIR Motion/Daylight Sensor, IP65, Max. mounting height 39ft, White
65622	HIGHBAYMOTIONDAYSENSOR	Field installable Microwave Motion/Daylight Sensor, IP65, Max. mounting height 49ft, White
65623	REMOTE/MOTIONDAY/001	Remote control for Motion/Daylight Sensors – Remote is required to change default settings

63958



OPTIONAL MOTION/DAYLIGHT SENSOR DEFAULT SETTINGS:

- Detection Area: 100%
- Hold time – Time fixtures stays at 100% after last motion before dimming: 10 minutes
- Daylight threshold – Light level above which lights will remain off: 50 Lux
- Stand-by period – Time light remains dimmed before shutting off: 60 minutes
- Stand-by Dimming – dimming level of light during the stand-by period: 30%



MOTION SENSOR
Bronze: 63748/65732
White: 62664/65662



REMOTE
(65623)



LEDVANCE LLC
181 Ballardvale Street, Suite 203
Wilmington, MA 01887 USA
Phone: 1-800-LIGHTBULB (1-800-544-4828)
www.ledvanceUS.com

LEDVANCE is a registered trademark.
All other trademarks are those of their respective owners.
Specifications subject to change without notice.



SCAN TO FOLLOW US
ON SOCIAL MEDIA