

# Arrow Hart industrial grade power lock plugs, connectors and receptacles

Project Name:	Prepared By:
Project Number:	Date:
Catalog Number:	Type:

## Description

2-pole, 3-wire grounding  
 3-pole, 3-wire non-grounding  
 3-pole, 4-wire grounding  
 20A, 125V/AC; 20A, 250V/DC;  
 30A, 480V/AC; 30A, 600V/AC;  
 Non-NEMA

## Features

- Spring-loaded safety shutter automatically ejects the plug if it has not been properly locked into the female device (receptacle or connector) which eliminates contact interaction and insures long-lasting performance
- Spring-loaded safety shutter helps to contain and extinguish arcs if the devices are accidentally unmated under load, providing a quicker disconnect and higher degree of safety for the user
- Spring-loaded safety shutter prevents the entrance of foreign matter in the female contact chamber and provides an IP30 finger-safe rating
- Amperage/voltage and configuration clearly marked on the body of devices for easy identification of the device capabilities
- Terminal body assembly screws backed out for fast wiring and assembly
- Tri-combo screws to facilitate use of a wide variety of tools to assist with more rapid assembly
- Double dove tail provides for superior cord alignment and retention
- Longer bosses on cord grip allow for excellent clamp force on large diameter cords ensuring tight connections
- Dust shield is made of durable neoprene to keep foreign particles of entering the cord chamber



AHPL20414N



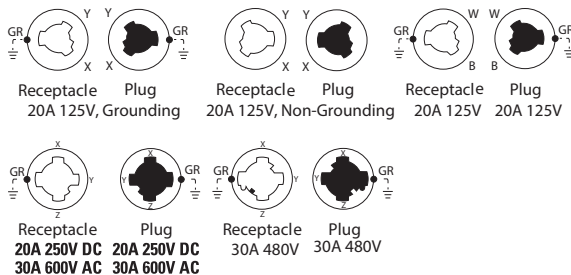
AHPL20415N



AHPL20444N



AHPL20445N



**Table 1. Industrial grade plugs & connectors**

Catalog No.	Description	Cord diameter	Amps	Volts	Color
□ AHPL23005UL	Plug interior nylon	N/A	20	125AC 10 250DC/480AC	BK
□ AHPL23005N	Ultra grip plug, nylon	0.256-0.656" (6.5-16.7mm)	20	125AC 10 250DC/480AC	BK & W
□ AHPL23056	Ultra grip plug, hospital use only	0.256-0.656" (6.5-16.7mm)	20	125AC	GY & W
□ AHPL20415N	Ultra grip plug, nylon	0.38-1.06" (9.65-26.9mm)	30	600AC 20 250DC	BK & W
□ AHPL20414N	Ultra grip connector, nylon	0.38-1.06" (9.65-26.9mm)	30	600AC 20 250DC	BK & W
□ AHPL20445N	Ultra grip plug, nylon	0.38-1.06" (9.65-26.9mm)	30	480AC	RD & W
□ AHPL20444N	Ultra grip connector, nylon	0.38-1.06" (9.65-26.9mm)	30	480AC	RD & W

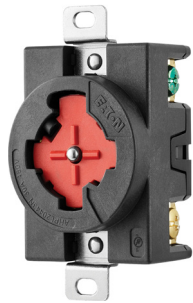


Powering Business Worldwide

Project Name:	Prepared By:
Project Number:	Date:
Catalog Number:	Type:



AHPL20403N



AHPL20443N

**Table 1. Industrial grade receptacles**

Catalog No.	Description	Cord diameter	Amps	Volts	Color
<input type="checkbox"/> AHPL23000	Industrial grade receptacle	0.44-1.06" (11.1-26.0mm)	20 10	125AC 250DC/480AC	BK
<input type="checkbox"/> AHPL23000G	Industrial grade receptacle	0.44-1.06" (11.1-26.0mm)	20 10	125AC 250DC	BK
<input type="checkbox"/> AHPL23050	Industrial grade receptacle, hospital use only	0.44-1.06" (11.1-26.0mm)	20	125	BK & GY
<input type="checkbox"/> AHPL20403N	Industrial grade receptacle	0.33-0.66" (8.4-16.7mm)	30 20	600AC 250DC	BK
<input type="checkbox"/> AHPL20443N	Industrial grade receptacle	0.33-0.66" (8.4-16.7mm)	30	480	BK & RD

## Applications

Eaton's power lock devices are designed for safety, energizing within a chamber to eliminate the possibility of exterior arcing. The chamber is protected by a spring-loaded safety shutter that ejects the plug if it's not fully locked in place. The shutter also prevents the entrance of foreign matter and provides an IP30 finger-safe rating. These devices are ideal for high-abuse industrial and specialized hospital applications. Designed with the latest in ergonomic shape, the power lock devices provide a superior design and performance, making them ideal for many applications. The devices are available in a wide range of non-NEMA configurations.

**Table 2. Specifications**

Ultra grip nylon power lock plugs and connectors	
<b>Catalog no.</b>	AHPL23005UL AHPL23056N, AHPL20415N, AHPL20445N, AHPL23005N, AHPL20414, AHPL20444N
<b>Device type</b>	Power lock plugs and connectors
<b>Wiring type</b>	Pressure wire
<b>Testing &amp; code compliance</b>	<ul style="list-style-type: none"> <li>Listed to UL 498, file no. E3663</li> <li>UL certified to C22.2, no. 42</li> </ul>
<b>Environmental specifications</b>	<b>Flammability:</b> Meets UL 94 requirements; V0/V2 rated <b>Temperature rating:</b> -40°C to 75°C (-40°F to 221°F)
<b>Electrical specifications</b>	<b>Dielectric voltage:</b> Twice the device rating + 1000V per UL498 <b>Current interrupting:</b> Yes, at full-rated current <b>Temperature rise:</b> Max. 30°C (86°F) after 50 cycles of overload @ 150% of rated current (DC)
<b>Mechanical specifications</b>	<b>Terminal accommodation:</b> #8 - #12 AWG / #10 - #16 AWG <b>Voltage ratings:</b> Permanently marked on device

**Table 3. Materials**

Ultra grip nylon power lock plugs and connectors	
<b>Catalog no.</b>	AHPL23005UL AHPL23056N, AHPL20415N, AHPL20445N, AHPL23005N, AHPL20414, AHPL20444N
<b>Inlet flip lid cover &amp; base</b>	N/A
<b>Flanged housing</b>	N/A
<b>Plug/connector outer shell</b>	Nylon
<b>Interior body</b>	Glass filled nylon
<b>Terminal retainer</b>	Glass filled nylon
<b>Blades</b>	0.070" thick copper
<b>Line contacts</b>	—
<b>Terminal clamp</b>	Steel, nickel plated
<b>Terminal screws</b>	#8-32 brass
<b>Ground screw</b>	#8-32 brass, green tone
<b>Assembly/mounting screws</b>	#6-20 steel, nickel plated
<b>Cord clamp screws</b>	#8-18 steel, nickel plated
<b>Cord clamp</b>	Nylon

Project Name:	Prepared By:
Project Number:	Date:
Catalog Number:	Type:

**Table 4. Specifications**

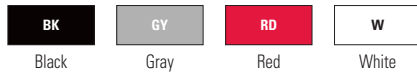
<b>Catalog no.</b>	<b>Power lock receptacles AHPL20403N, AHPL20443N, AHPL23000, AHPL23000G, AHPL23050</b>
<b>Device type</b>	<b>Power lock receptacles</b>
<b>Wiring type</b>	Wiring type
<b>Testing &amp; code compliance</b>	<ul style="list-style-type: none"> <li>Listed to UL498, file no. E2369, except 23000G</li> <li>UL certified to C22.2, no. 42 except 23000G, AH21420, 20443N</li> </ul>
<b>Environmental specifications</b>	<b>Flammability:</b> Meets UL 94 requirements; V0 rated <b>Temperature rating:</b> -40°C to 105°C (-40°F to 221°F)
<b>Electrical specifications</b>	<b>Dielectric voltage:</b> ≤300V: 2000V, 301-600V: 3000V per UL498 <b>Current interrupting:</b> Yes, at full-rated current <b>Temperature rise:</b> Max. 30°C (86°F) after 50 cycles of overload @ 150% of rated current (DC)
<b>Mechanical specifications</b>	<b>Terminal accommodation:</b> #8 - 10 AWG / #10 - #14 AWG <b>Voltage ratings:</b> Permanently marked on device

**Table 5. Materials**

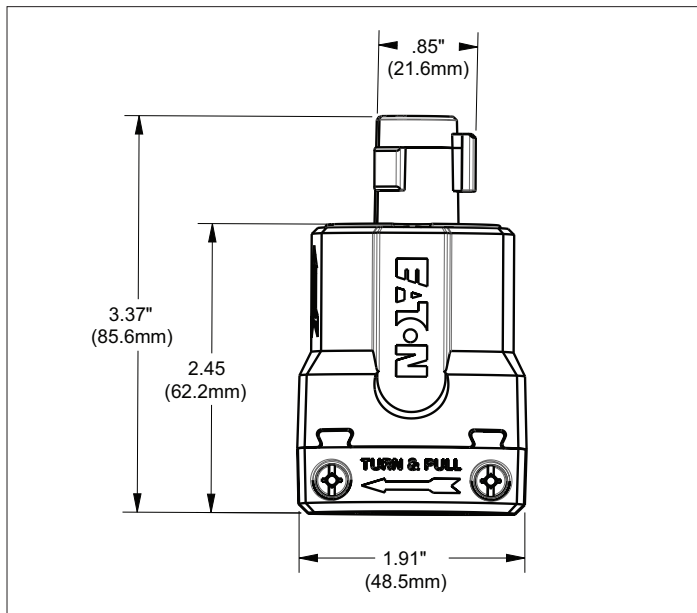
<b>Catalog no.</b>	<b>Power lock receptacles AHPL20403N, AHPL23443N, AHPL23000, AHPL23000G, AHPL23050</b>
<b>Interior body/face &amp; base</b>	Glass-filled nylon
<b>Single receptacle strap</b>	If applicable, 0.050" thick steel, nickel plated
<b>Grounding strap</b>	N/A
<b>Contacts</b>	0.030" thick copper
<b>Terminals</b>	0.024" thick brass
<b>Terminal screws</b>	#8-32 brass screw
<b>Ground screw</b>	#8-32 brass screw, green tone

**Table 6. Color information**

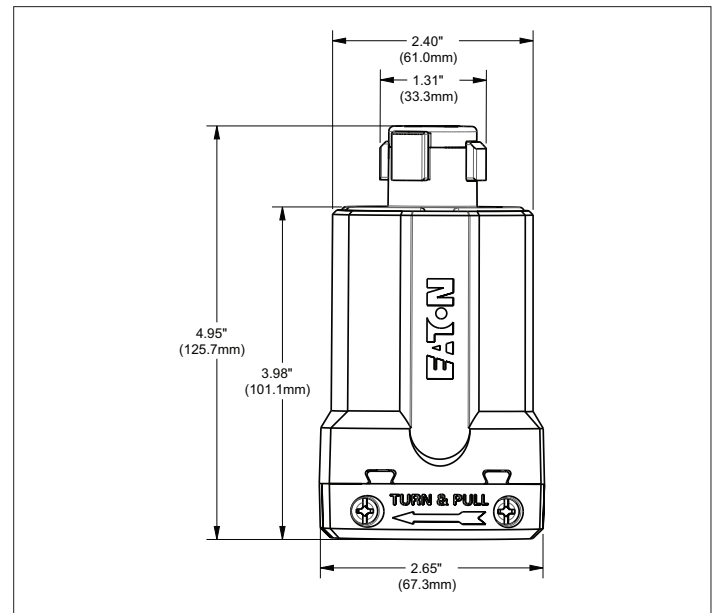
BK (Black), GY (Gray), RD (Red), W (White)



**Product Dimensions**



**Figure 1. AHPL23056N/AHPL23005N Line art with dimensions**



**Figure 2. AHPL20415N Line art with dimensions**

Project Name:	Prepared By:
Project Number:	Date:
Catalog Number:	Type:

### Product Dimensions

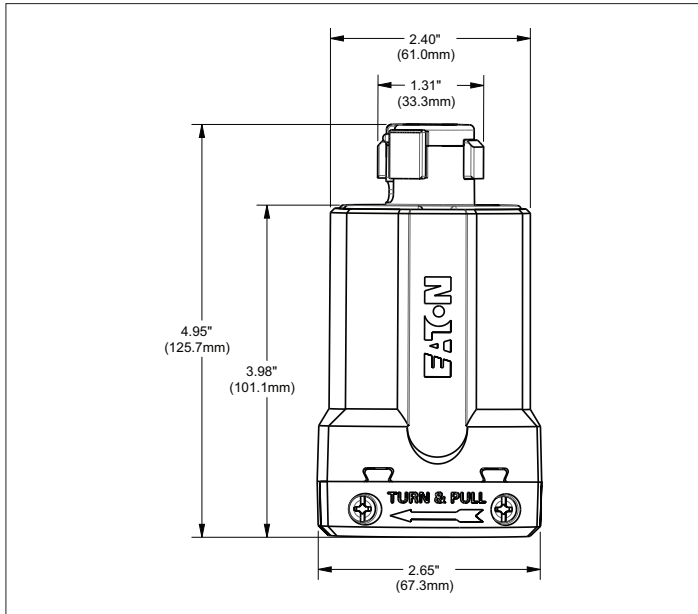


Figure 3. AHPL20445N Line art with dimensions

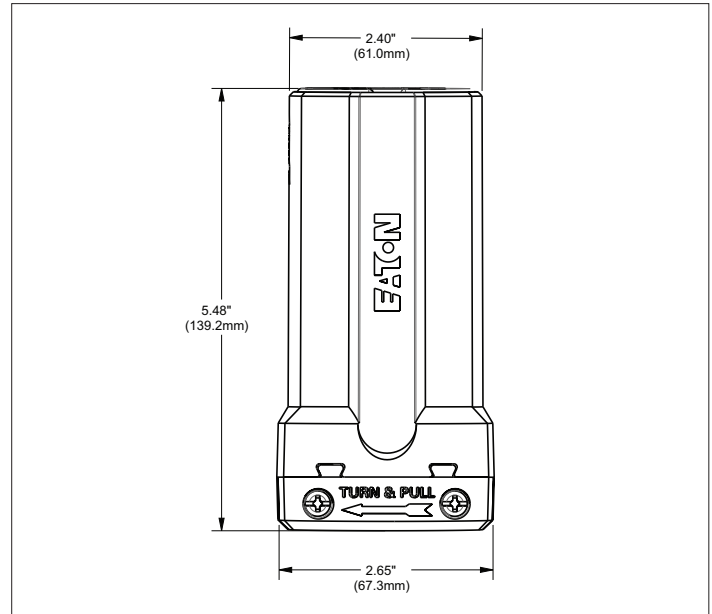


Figure 4. AHPL20414N/AHPL20444N Line art with dimensions

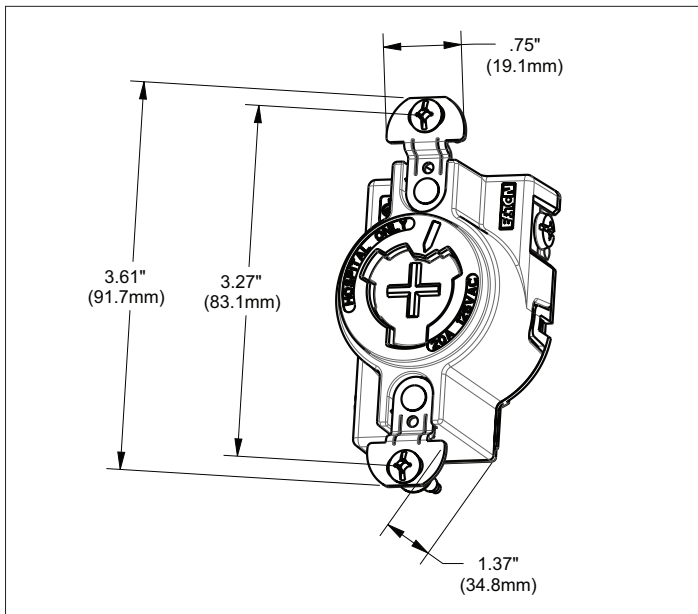


Figure 5. AHPL23050/AHPL23000 Line art with dimensions

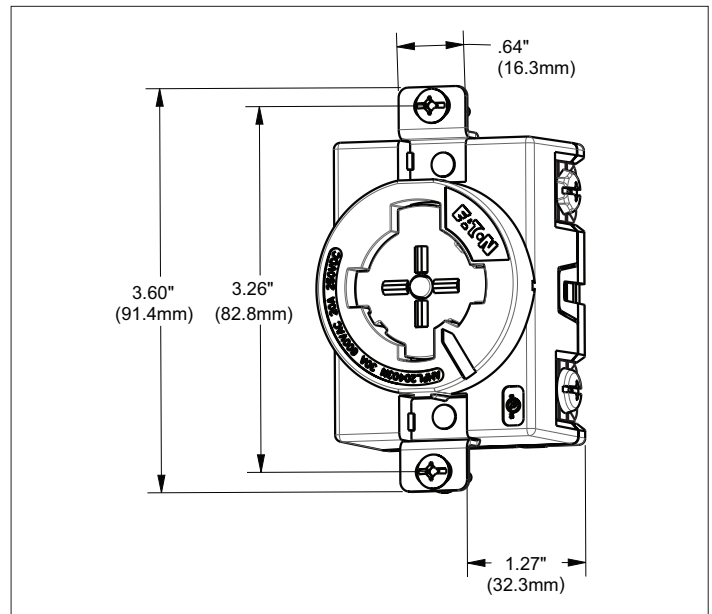


Figure 6. AHPL20403N Line art with dimensions

Project Name:	Prepared By:
Project Number:	Date:
Catalog Number:	Type:

## Product Dimensions

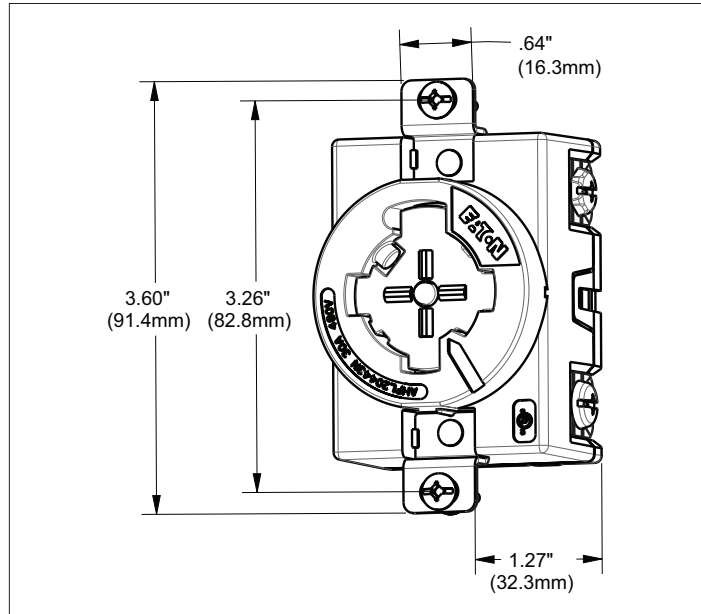


Figure 7. AHPL20443N Line art with dimensions

## Certifications & Compliances

Catalog No.	cULus	UL	FQS	CSA	NOM 426	Arrowlink	Build-To-Spec	ROHS
AHPL23005UL	•	•	•	•	•	•	•	•
AHPL23056N	•	•	•	•	•	•	•	•
AHPL20415N	•	•	•	•	•	•	•	•
AHPL20445N	•	•	•	•	•	•	•	•
AHPL23005N	•							
AHPL20414N	•							
AHPL20444N	•							
AHPL20403N		•						
AHPL20443N		•						
AHPL23000G		•						
AHPL23050		•			•			

**KEY:** cULus cULus UL UL FQS Fed Spec CSA CSA NOM 426 NOM Arrowlink Arrowlink Build-To-Spec Build-To-Spec ROHS ROHS

Parts are manufactured and designed in accordance with article 4 of the European Union's RoHS2 directive 2011/65/EU

Build-To-Spec Customizable Devices