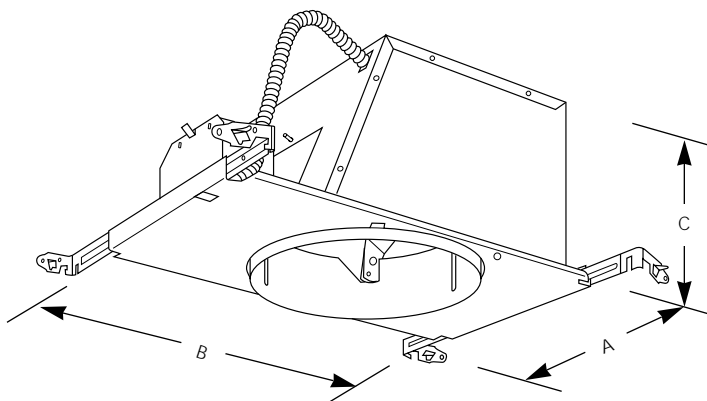


Type _____
P45-AT

Catalog No.	Lamping	Dimensions (Inches)		
		A	B	C
P45-AT	120w PAR38, BR40	9-3/4	15-3/4	7-1/2
		Ceiling Opening = 8-3/4		



Specifications:

Wiring

- Integral Romex clamps
- Access door in housing for field inspection of wiring
- Universal J-box with snap-out sides
- Grounding pigtail
- Knock out free integral Romex clamps
- 1/2" & 3/4" Knock outs for rigid conduit or BX fittings

Construction

- Aluminum outer housing
- Fits into 2X8 construction
- Notched housing for chalkline alignment
- Porcelain socket with nickel-plated brass screw shell
- Collar adjustment from 1/2" to 1-1/2" ceiling thickness

Bar Hangers

- Nail grip hanger bars
- Integral T-bar ceiling clamps on hanger bars
- Hanger bars will span 24" T-bar spacing
- Bar hanger locks to secure housing in position

Labeling

- IC rated
- UL-CUL listed for damp location and through branch wiring
- Complies with Washing State Energy Code (WSEC) requirement for air tight

Lamp/Trim

- Lamp in vertical position from 9 to 45 degree sloped ceiling (from 2/12 to 12/12 pitch)
- Lamp adjustable from below
- Single spring attachment of trim