



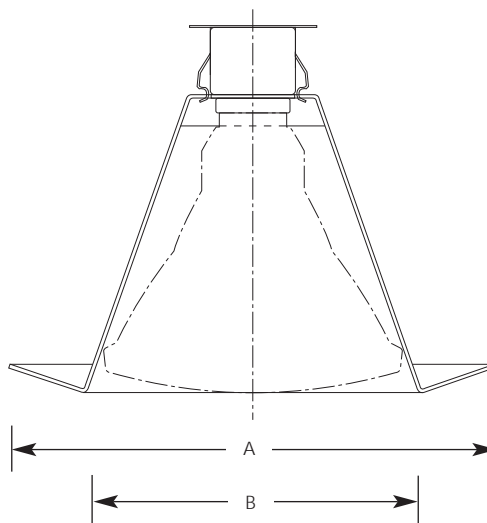
Incandescent

**6" Open Trim
IC & Non-IC
High Wattage**

Recessed

Type _____
-28
P8074

Catalog No.	Finish	Dimensions (Inches)	
	White	A	B
P8074	-28	8-3/4	4-3/8



<u>Lamp Wattage</u>	IC	Non-IC
Housing		
P87-AT	90w PAR38/BR40	120w BR40/150w PAR38
P87-ATQC	90w PAR38/BR40	120w BR40/150w PAR38
P187-TG	90w PAR38/BR40	120w BR40/150w PAR38
P821-AT	120w BR40/150w PAR38	120w BR40/150w PAR38
P821-FB, FBFC	N/A	150w R40/BR40/PAR38

Specifications:

Flange

- Bright white powder painted integral metal flange
- No light leaks around trim flange
- Covers irregular ceiling openings

Trim

- Aluminum construction
- Socket mounts to trim for optimum performance and consistent lamp position
- Trim-Lok action forces trim to fit snugly against the ceiling
- Splay design optimally accommodates Par38 lamps

Labels

- UL-CUL damp location listed
- Rated IC and Non-IC

Photometrics

- Refer to PAR38 & BR40 Lamp Application Data

Progress Lighting
701 Millennium Blvd.
Greenville, South Carolina
29607

www.progresslighting.com
Patent# 5,758,990

Rev. 9/08



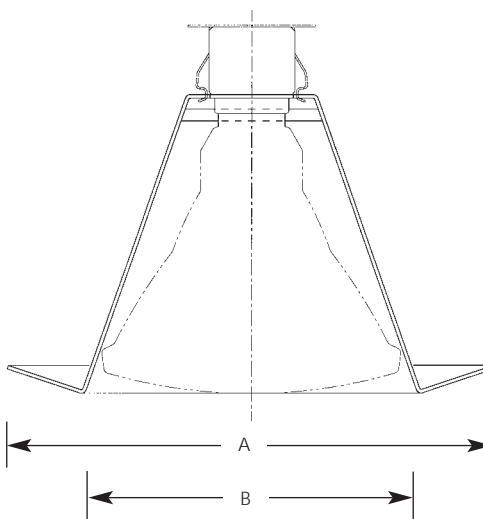
Incandescent

**6" Lensless Shower Light
IC & Non-IC**

Recessed

Type _____
-28
P8074WL

Catalog No.	Finish	Dimensions (Inches)	
	White	A	B
P8074WL	-28	7-3/4	4-3/8



Lamp Wattage*

Housing	IC	Non-IC
P87-AT	75w PAR38	75w PAR38
P87-ATQC	75w PAR38	75w PAR38
P187-TG	75w PAR38	75w PAR38
P821-AT	75w PAR38	75w PAR38
P821-FB, FBFC	N/A	75w PAR38

Specifications:

Flange

- Bright white powder painted integral metal flange
- No light leaks around trim flange
- Covers irregular ceiling openings

Trim

- Aluminum construction
- Socket mounts to trim for optimum performance and consistent lamp position
- Trim-Lok action forces trim to fit snugly against the ceiling

- Splay design optimally accommodates Par38 lamps
- Adhesive backed, high-temperature acrylic gasket is placed on interior top portion of reflector to prevent the passage of water into socket

Labels

- UL-CUL wet location listed
- Rated IC and Non-IC

*Use only outdoor rated par lamps.

Progress Lighting
701 Millennium Blvd.
Greenville, South Carolina
29607

www.progresslighting.com
Patent# 5,758,991



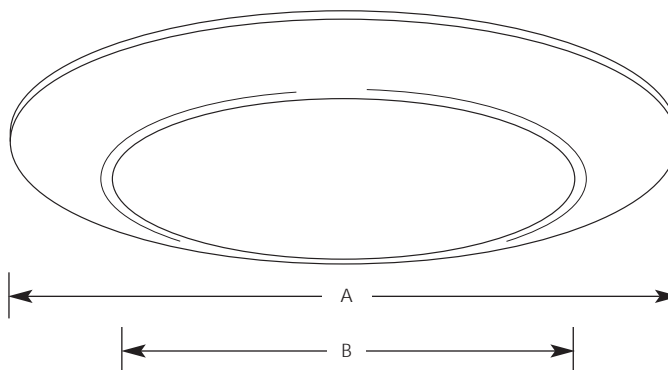
Compact Fluorescent

6" Open
Single Lamp
IC & Non-IC

Recessed

Type _____
-28
P8074

Catalog No.	Finish White	Lamping	Dimensions (Inches)	
			A	B
P8074	-28	See Below	7-3/4	4-3/8



Lamp Wattage	IC	Non-IC
Housing		
P83-26ICAT	26w 4-pin Triple-tube CF	26w 4-pin Triple-tube CF

Specifications:

Flange

- White powder coated metal
- No light leaks around trim flange
- Covers irregular ceiling openings

Trim

- Built-in bracket to accept Trim-Lok spring
- One piece aluminum construction
- Trim-Lok action forces trim to fit snugly against the ceiling
- Socket mounts to trim for optimum performance and consistent lamp position

Lamps

- Maximum overall length of lamp must not exceed 5.9" (5-15/16)
- Available lamps are: GE F26TBX, Phillips PLT26 , Sylvania CF26DT or Progress 7808-01

Labeling

- UL-CUL damp location listed

Progress Lighting
701 Millennium Blvd.
Greenville, South Carolina
29607

www.progresslighting.com

Rev. 9/08