

# PHOTOCONTROLS

## Turn-Locks

LED Electronic  
2005B Series



### SPECIFICATIONS

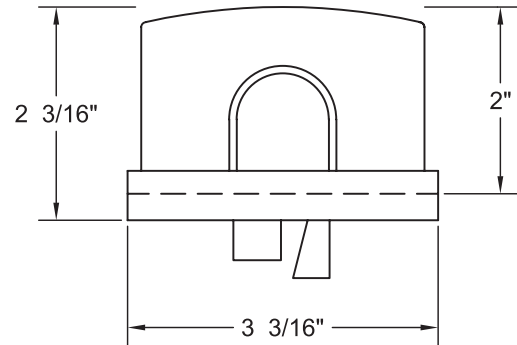
- **ON/OFF:** Turn-ON is 1.5 foot candle +/-0.5 OFF/ON ratio is 1.5:1 average.
- **Time Delay:** Instant ON/3-5 seconds OFF.
- **Cell:** Molded sealed IR filtered sensor.
- **Relay:** Rated life 12,000 operations.
- **Surge Protection:** 360 joules MOV exceeds NEMA and ANSI requirements.
- **Locking Prongs:** Solid brass for maximum corrosion resistance and electrical conductivity.
- **Temperature Range:** -40 °F to +140 °F (-40 °C to +60 °C).
- **Fail Mode:** ON.
- **Warranty:** 6 years.

### APPLICATIONS

- For state and county DOT & municipalities use on roadway and bridges. Also use for general commercial facilities.

### FEATURES

- **Light Sensor:** Superior light sensing technology driven by a molded sealed IR Filtered Non-Drifting Silicon Sensor designed for extreme accuracy and calibrated to duplicate a Human Eye Response.
- **Surge Protection:** 360 Joule MOV component helps provide superior Photocontrol and LED luminaire surge protection against unpredictable line voltage spikes.
- **Relay:** UL Listed DC relay has positive snap action switching, reducing bounce and prolonging contact life. Fail ON for safety.
- **Weather:** UV stabilized Polycarbonate housing and window maximizing protection against extreme weather elements and moisture.
- **Safety:** Tested and certified to meet both UL773 and CSA Photocontrol standards and the most current ANSI C136.10-2010 American National Standard for Roadway and Area Lighting Equipment.
- **Operation:** Delayed OFF response prevents false switching due to light from vehicles or lighting, etc.
- **Energy Savings:** Rated for use with LED lamp drivers.
- **Custom:** Customize your special order by choosing multiple colors, Turn-On light trigger levels, fail-ON / fail-OFF, or delay times to meet your specific job requirement.



CAT. NO.	CERTIFICATION	UPC CODE	VOLTAGE VAC 50/60Hz	COLOR	RATING		
					TUNGSTEN	BALLAST	LED
2005B	cULus	62015	105-130	Grey	1000W	1800VA (1000VA cUL)	4 Amps
2007B	cULus	62016	105-305	Blue	1000W	1800VA (1000VA cUL)	4 Amps
2008B	—	62017	400-550	Yellow	1000W	1800VA	—