

DESCRIPTION

GRW is a recessed wet location listed lensed troffer. GRV is a vandal resistant lensed troffer. Both are offered in 2x2, 2x4, and 1x4 sizes. Available with a flush white painted aluminum extruded door, several lumen packages, emergency battery packs, and either 1% or 10% continuous dimming. The shallow depth GRW and GRV are a superb functional and practical LED recessed luminaire.

Typical applications include: schools, lockers rooms, closets, kitchens, cafeterias, restrooms, storage areas, stock rooms, garages, and break rooms.

Catalog #		Type
Project		
Comments		Date
Prepared by		

SPECIFICATION FEATURES

Construction

Housing is die formed of cold rolled steel and features full length die-formed stiffeners and unibody endplate for added strength. Side flanges are hemmed. Design provides superior lens brightness uniformity and visual comfort. Unibody endplates are securely attached with interlocking tabs and screws. Four auxiliary fixture end suspension points provided. Endplates have integral Grid-lock feature for safety and convenience. Designed for exposed 15/16" or 9/16" wide inverted T-grid. Not compatible with 1 1/2" inverted T-grid ceiling system.

Finish

Multi-stage, iron phosphate pre-treatment ensures maximum bonding and corrosion inhibition. Housing and driver cover finished with 90% reflective white enamel. Painted After Fabrication option available.

Hinging/Latching

Positive spring loaded steel latches with baked white enamel finish. Safety-lock T-hinges allow hinging and latching either side. GRV incorporates tamper resistant screws that secure the latch in place.

Door Frame/Lens/Gasket

Door Frame is constructed of flat aluminum extruded sides and ends, painted gloss white powder coat. GRW lens is available with either Pattern 12 acrylic, 0.125" thick, or prismatic polycarbonate, 0.125" thick. GRV is offered with prismatic polycarbonate lenses ranging from 0.125" to 0.187" thick. GRW incorporates closed cell gasket between housing and grid, between housing and door frame, and between lens and door frame.

Compliance

Modules are UL recognized components and indoor luminaires are cULus listed for 25°C ambient environments, RoHS compliant, and LED modules comply with IESNA LM-79 and LM-80 standards. Fixtures are suitable for direct insulation contact. GRW is UL wet location listed under covered ceilings. GRV is damp location listed. Options to meet Buy American and other domestic preference requirements.

Electrical/Controls

LED system coupled with electrical driver delivers optimal performance. LED's available in 3000K, 3500K, 4000K or 5000K with minimum 80 CRI. Projected life is 60,000 hours at 90% lumen output. cULus listed. Electronic drivers for 120-277V applications. 0-10V dimming available for 1% and 10%.

Emergency Battery Pack Option

120V-277V integral emergency battery pack is available in 7-watt or 14-watt to meet critical life-safety lighting requirements. The 90-minute battery provides constant power to the LED system, ensuring code-compliance.

Warranty

Five year warranty on the LEDs and electrical.



GRW GRV

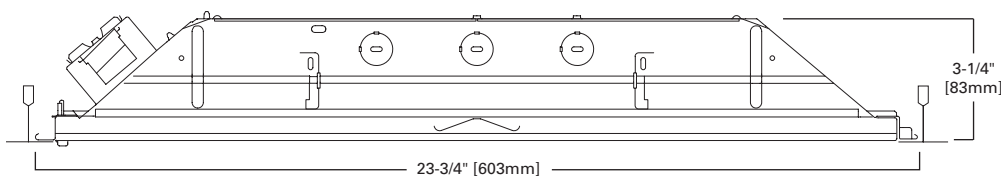
Wet Location
Vandal Resistant
LED

1'x4'
2'x2'
2'x4'

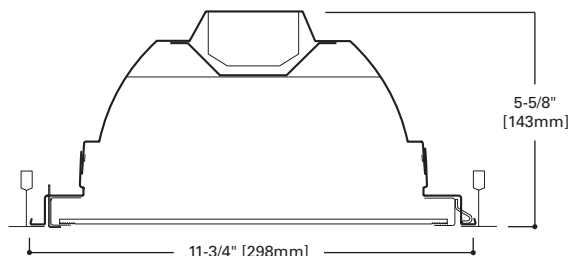
RECESSED LENSED TROFFER



2x2/2x4 cross-section



1x4 cross-section



ORDERING INFORMATION

SAMPLE NUMBERS: GRV-24-2-FA-LD4-43-40-P125-UNV-ED1D1-GSK
 GRW-12-4-FA-LD4-32-50-A12125-UNV-EDC1-SL

Domestic ⁸ Preferences	GR	Width	Length	Door	LD4	Lumens	Color Temperature	Lens	Voltage	Driver Type/# of Circuits	Options
[Blank]=Standard BAA=Buy American Act TAA=Trade Agreements Act					LED Type LD4=LED 4.0	1x4 Lumens ⁴ 24=2400 32=3200 43=4300	30=3000K 35=3500K 40=4000K 50=5000K		UNV=Universal 120=120V 277=277V 347=347V	EDC1=Electronic Driver, non-dimming, 1 circuit EDC2=Electronic Driver, non-dimming, 2 circuit EDD1=Electronic Driver, Dimming, 10%, 1 circuit EDD2=Electronic Driver, Dimming, 10%, 2 circuit ED1D1=Electronic Driver, 0-10v Dimming 1%, 1 circuit ED1D2=Electronic Driver, 0-10v Dimming1%, 2 circuits	PAF=Painted After Fabrication (gloss white finish) GL=Single Element Fuse GM=Double Element Fuse EL7W=7-watt, 120V-277V emergency ³ battery pack installed EL14W=14-watt 120V-277V emergency ³ battery pack installed GTR2=Bodine Generator Transfer Relay ⁶ specify voltage 120 or 277 ETRD=lota Emergency Transfer Relay ⁶ with dimming control, specify voltage 120 or 277 GSK/GRD=Closed cell gasket on housing flange, that rests on ceiling grid (Standard GRW) SL=Security Latch, (2) phillips pan-head, white painted screws SLTP=Security Latch, (2) tamper proof Torx T20, white painted screws (Standard GRV) INV= Inverted Lens (prisms up, smooth side down) AM=Anti-microbial exposed surfaces only (door) 90=90 CRI
GR= GR Troffer					2x2 Lumens ⁴ 24=2400 32=3200 43=4300 50=5000 70=7000 90=9000	GRW A12125=#12 Pattern, 0.125" thick clear prismatic acrylic P125=0.125" thick, clear prismatic polycarbonate					
Style W=Wet Location V=Vandal					2x4 Lumens ⁴ 48=4800 64=6400 72=7200 90=9000 120=12000 150=15000 180=18000	GRV ACTF140=Acri-Tuf [®] impact resistant prismatic, 0.140" thick P125=0.125" thick, clear prismatic polycarbonate P156=0.156" thick, clear prismatic polycarbonate P187=0.187" thick, clear prismatic polycarbonate					
12=12" 24=24"											
2=2' (not available 12" wide) 4=4'											
Door Frame FA=Flush White Extruded Aluminum											

Notes:

1.) An EQ Grid Clip is recommended for all 9/16" ceiling systems. 2.) na 3.) With integral test switch/indicator/laser test. For approximate delivered lumens multiply the lumens per watt of the desired fixture by the wattage of the emergency battery pack (100 lm/W x 7=700 lumens). IES-format photometry for luminaire under emergency operation available. 4.) Nominal lumen output with A125 lens. 5.) 2 circuit options, EDC2, EDD2, ED1D2 are ONLY available with 10,000 lumens and up, and 2 circuit option is only available on the 4' length. 6.) Used to bypass local control during outage. Must be used in conjunction with UL 1008 device (provided by others). GTR2 option includes (2) relays on fixtures with dimming drivers. ETRD option only requires (1) relay when used on a dimming fixture. Must specify voltage as 120V or 277V when ordering these devices. 7.) DFCL (gasketed drywall framing kit) is used to install the GRW in hard-ceiling applications. The DFVR/GRV (vandal gasketed drywall framing kit) is required for the GRV in hard ceiling applications. For anti-microbial matte white finish, replace the W with AMW in ordering logic. 8.) Only product configurations with these designated prefixes are built to be compliant with the Buy American Act of 1933 (BAA) or Trade Agreements Act of 1979 (TAA), respectively. Please refer to [DOMESTIC PREFERENCES](#) website for more information. Components shipped separately may be separately analyzed under domestic preference requirements. 9.) Accessories sold separately will be separately analyzed under domestic preference requirements. Consult factory for further information.

ACCESSORIES (ordered separately)⁹

- EQ-CLIP-U=T-BAR Safety Earthquake Clips¹
- DFCL-1248W-U=1' x 4' Drywall Frame Kit⁷
- DFCL-2424W-U=2' x 2' Drywall Frame Kit⁷
- DFCL-2448W-U=2' x 4' Drywall Frame Kit⁷
- DFVR/GRV-1248W-U=1' x 4' Drywall Frame Kit⁷
- DFVR/GRV-2424W-U=2' x 2' Drywall Frame Kit⁷
- DFVR/GRV-2448W-U=2' x 4' Drywall Frame Kit⁷

Specification & dimensions subject to change without notice. Consult your Cooper Lighting Solutions Representative for availability and ordering information.

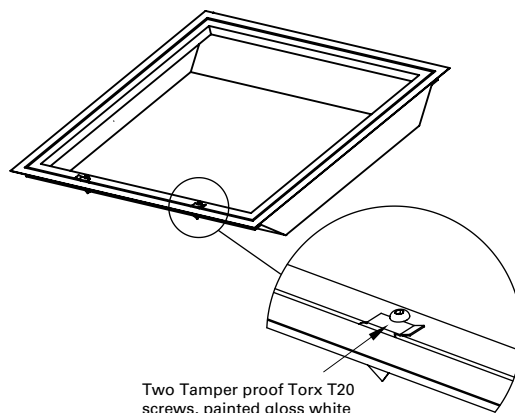
Approximate Lumen Multiplier

A125	1.0
A19/156	0.975
P125	0.950
P156	0.925
P187	0.900
ACTF140	0.940

Approximate Color Temperature Multiplier

5000K	1.016
4000K	1.016
3500K	1
3000K	0.982
2700K	0.930

Vandal Resistant Security Latch Detail



Two Tamper proof Torx T20 screws, painted gloss white to match the door frame. Available non-tamper proof screw, optional (SL).

Ceiling Compatibility

G
Grid/Lay-in
Standard



FA
Flat, Extruded
White Aluminum



Ceiling Type	Trim Type
Exposed Grid	G
Concealed T	G
Slot Grid	G

(Verify compatibility/ consult factory.)

Lumens/Wattages

Size	Lumens	Wattage
1x4	2400	21.0
	3200	29.8
	4300	42.0
2x2	2400	19.2
	3200	29.9
	4300	40.1
	5000	40.4
	7000	64.2
2x4	9000	86.0
	4800	37.4
	6400	48.1
	7200	56.0
	9000	69.1
	12000	90.1
15000	120.3	
18000	144.2	