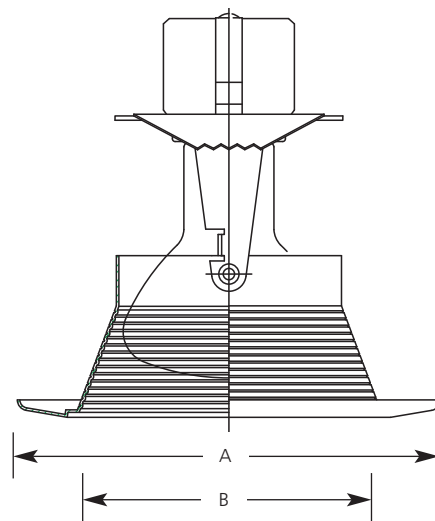
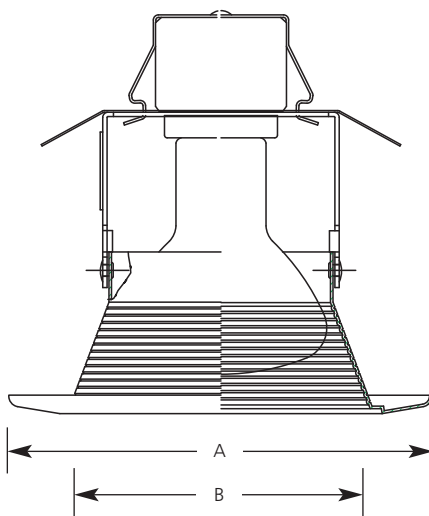


	Type _____				
	-09	-20	-28	-31	-36
P8037	<input type="checkbox"/>	<input type="checkbox"/>	<input type="checkbox"/>	<input type="checkbox"/>	<input type="checkbox"/>

Catalog No.	Finish					Dimensions (Inches)	
	Brushed Nickel	Antique Bronze	White	Black	Chestnut	A	B
P8044	-09	-20	-28	-31	-36	5	3-1/2



**Lamp Wattage**

Housing	IC	Non-IC
P831-AT	55PAR16/50R/PAR20	55PAR16/50R/PAR20
P830-TG	N/A	55PAR16/50R/PAR20
P832-TG	N/A	55PAR16/50R/PAR20
P831-FB	N/A	55PAR16/50R/PAR20

**Specifications:**

Flange

- White powder coated flange on white (-28) and black (-31) trims
- Brushed nickel (-09), antique bronze (-20), and chestnut (-36) have unpainted flanges that match the baffle finish
- No light leaks around trim flange
- Covers irregular ceiling openings

Trim

- Push-in leaf spring action forces trim to fit snugly against the ceiling
- Patented "Hurricane" leaf spring allows ease of trim removal by rotating counter-clockwise.

Trim con't

- Socket mounts to trim for optimum performance and consistent lamp position
- Steel construction

Options

- White (-28), black (-31), or chestnut (-36) painted finishes
- Brushed nickel (-09) or antique bronze (-20) plated finishes

Labels

- UL-CUL damp location listed







# P830-TG

## P830-TG WITH P8044-31

Report No. 98246

No. Lamps: 1 Type Lamp: 50PAR20/NFL-GE Total Lumens: 570

Fixture Efficiency: 85.5%

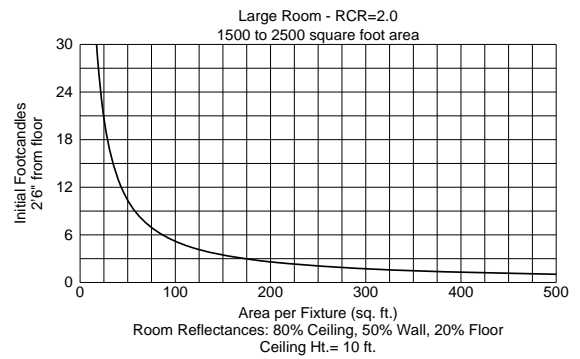
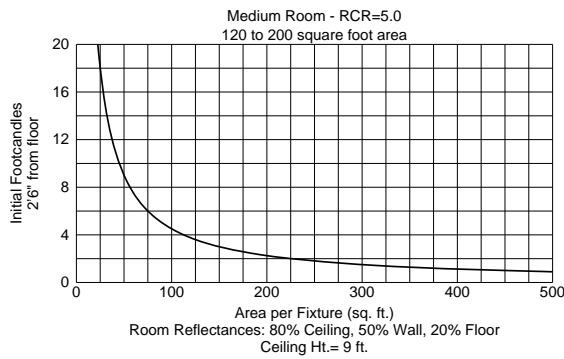
S/MH Ratio: 0.4

### Single Fixture Data

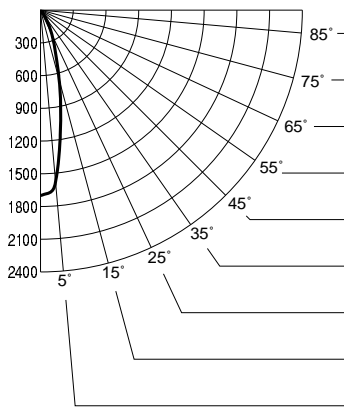
Ceiling Ht.(Ft.)	10% Values		Zero Degrees Ft.-C	50% Values	
	Beam Angle - 51°			Beam Angle - 24°	
	Ft.-C	Beam Dia.		Ft.-C	Beam Dia.
8	5.6	5	56.2	28.1	2
10	3.0	7	30.2	15.1	3
12	1.9	9	18.8	9.4	4
14	1.3	11	12.8	6.4	5
16	0.9	13	9.3	4.7	6

Ft.-C (Footcandles) are initial and measured 2'-6" from floor

### Quick Calculator Charts



#### DISTRIBUTION CURVE



#### INTENSITY DATA

DEGREES	CANDELA
90	0
85	0
80	0
75	0
70	0
65	0
60	2
55	3
50	6
45	12
40	27
35	66
30	139
25	244
20	395
15	661
10	1060
5	1583
0	1699

#### ZONAL CAVITY COEFFICIENTS OF UTILIZATION

Effective Floor Cavity Reflectance 0.20

RC	70												50				30				10				0			
	70	50	30	10	70	50	30	10	50	30	10	50	30	10	50	30	10	50	30	10	50	30	10	50	30	10	0	
0	102	102	102	102	99	99	99	99	95	95	95	91	91	91	87	87	87	85	85	85	85	85	85	85	85	85	85	
1	98	96	94	93	96	94	93	91	91	89	88	88	87	86	85	84	83	82	81	79	78	78	78	78	78	78	78	
2	94	91	88	86	92	89	87	85	87	85	83	84	83	81	82	81	79	78	77	76	75	75	75	75	75	75	75	
3	91	86	83	80	89	85	82	79	83	80	78	81	79	77	79	77	76	75	74	73	72	72	72	72	72	72	72	
4	87	82	78	76	86	81	78	75	80	77	74	78	75	73	76	74	73	71	70	69	68	68	68	68	68	68	68	
5	84	79	75	72	83	78	74	71	76	73	71	75	72	70	74	71	70	68	67	66	65	65	65	65	65	65	65	
6	81	75	71	68	80	75	71	68	73	70	68	72	69	67	71	69	67	66	65	64	63	63	63	63	63	63	63	
7	78	72	68	65	77	72	68	65	71	67	65	70	67	64	69	66	64	63	62	61	60	60	60	60	60	60	60	
8	76	69	65	63	75	69	65	63	68	65	62	67	64	62	67	64	62	61	60	59	58	58	58	58	58	58	58	
9	73	67	63	60	73	66	63	60	66	62	60	65	62	60	64	62	60	59	58	57	56	56	56	56	56	56	56	
10	71	64	61	58	70	64	60	58	64	60	58	63	60	58	62	60	58	57	56	55	54	54	54	54	54	54	54	

