

Concord Two Door Surface Mount Medicine Cabinet

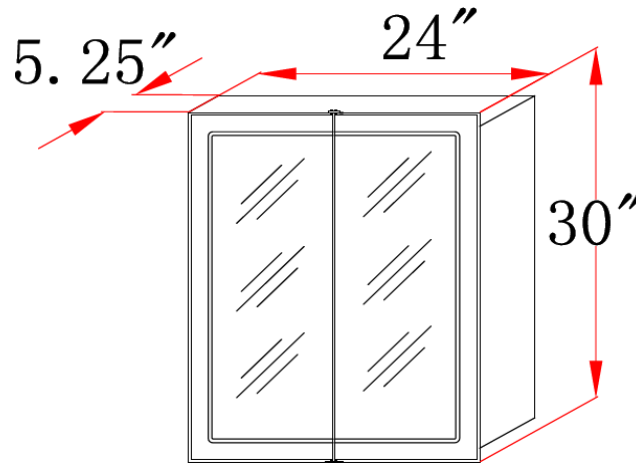


Specifications

- Durable gloss white finish
- Plywood side panels
- Concealed hinges
- Pre-assembled design
- 2 doors
- 2 shelves



Dimensions



Warranty & Compliances

Warranty Limited 1 year warranty
California 93120 Compliant



Order Codes & Finishes/Colors

24" w x 5.25" d x 30" h

531426

Type:

Job:

Order Code:

Approvals:

Design House reserves the right to make changes in materials, specifications & models at any time. Design House also reserves the right to discontinue product without notice or obligation.