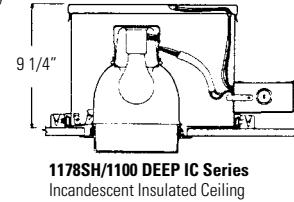
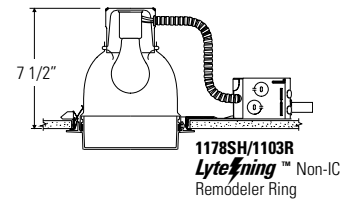
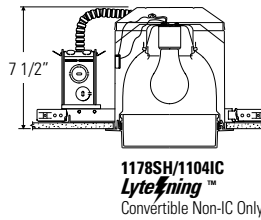
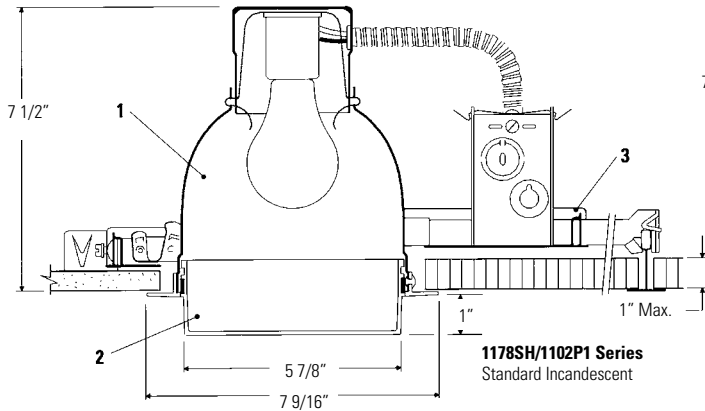




# Lytecaster® Recessed Downlighting **1178SH**



Complete Fixture consists of Reflector Trim & Frame-In Kit. Select each separately.

Reflector Trim	LED				Fluorescent			
	Frame-In Kit	Installation Type	Lamping	Height	Frame-In Kit	Installation Type	Lamping	Height
1178SH Lexan®	1101LED	Non-IC	LED	7 1/2"	1101F18U Series	UniFrame™ Non-IC	(1) Quad/Triple 18W (GX24q-2)	6 5/8"
	1100LEDREM	Non-IC Remodeler	LED	7 1/2"			(1) Quad/Triple 18W (GX24q-3)	
	L56LED	Non-IC Retrofit	LED	7 1/2"			(1) Triple 42W (GX24q-3)	
	Incandescent				1101F2642U Series	UniFrame™ Non-IC	(1) Quad/Triple 26W (GX24q-3) (1) Triple 32W (GX24q-3) (1) Triple 42W (GX24q-3)	6 5/8"
	1102P1	Non-IC	75W A19	7 1/2"	1104F13 Series	IC	(1) Quad/Triple 13W (GX24q-1)	7 1/2"
	1103R	Non-IC Remodeler		7 1/2"				
	1100IC	IC	40W A19	7 5/16"	1104F18 Series	IC	(1) Quad/Triple 18W (GX24q-2)	7 1/2"
	1100AICM	AirSeal® IC		7 5/16"				
	1100DICM	Deep IC		9 1/4"	1104F26 Series	IC	(1) Quad/Triple 26W (GX24q-3)	7 1/2"
	1100DAICM	Deep AirSeal® IC		9 1/4"				
	1104ICX/N	AirSeal® IC		9 1/4"	1100FTU Series	Non-IC	(1) Triple 26/32W (GX24q-3)	7 5/8"
	1104IC/N	Non-IC	40W A19	7 1/2"				
	1104ICR	Non-IC Remodeler		7 1/2"	1100AICMFT	AirSeal®-IC	(1) Triple 26/32W (GX24q-3)	6 7/8"
					1101F18ICU/N	Performance IC	(1) Quad/Triple 18W (GX24q-2)	7 1/4"
					1101F2642ICU	Performance IC	(1) Quad/Triple 26W (GX24q-3) (1) Triple 32W (GX24q-3)	7 1/4"
					1101F2642IUN			
					1101FDICMX1/N	Performance IC Advance Mark10 Dimming 120v	(1) Quad/Triple 26W (GX24q-3) (1) Triple 32W (GX24q-3)	7 1/4"
					1101FDICMX2/N	Performance IC Advance Mark10 Dimming 277v	(1) Quad/Triple 26W (GX24q-3) (1) Triple 32W (GX24q-3)	7 1/4"
					1910XFH1	Conversion Kit	(1) Quad13W (GX23-2)	7 5/8"
					1910XDH1	Conversion Kit	(2) Quad 13W (GX23-2)	7 5/8"

## Features

- Reflector:** Hydroformed aluminum, .040" minimum thickness (18 ga.); Perma white finish, 88% reflectance; plastic white trim flange.
- Drop Opalex Diffuser:** Translucent white, break resistant polycarbonate Lexan®. Installs and removes with twist-lock actions; no tools required.
- Frame-In Kit:** (1102P1 standard frame shown). Other frames listed above and shown on the right. See Frame-In Kit specification sheets for more details.

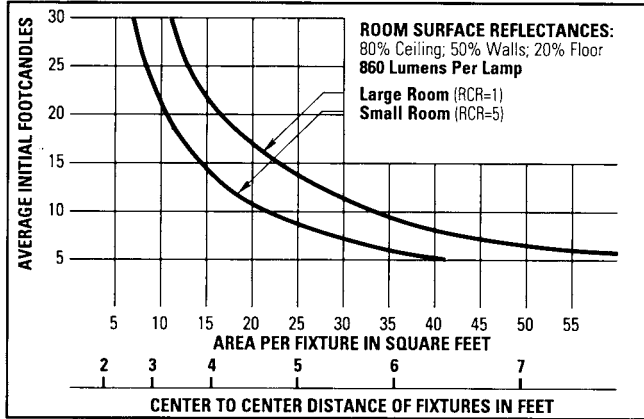
## Labels

UL (Suitable for Wet Locations - Covered Ceiling), I.B.E.W.  
Meets NEC® requirements for Spas and Hot Tubs.

Lexan® is a registered trademark of General Electric.  
NEC® is a registered trademark of the National Fire Protection Association.

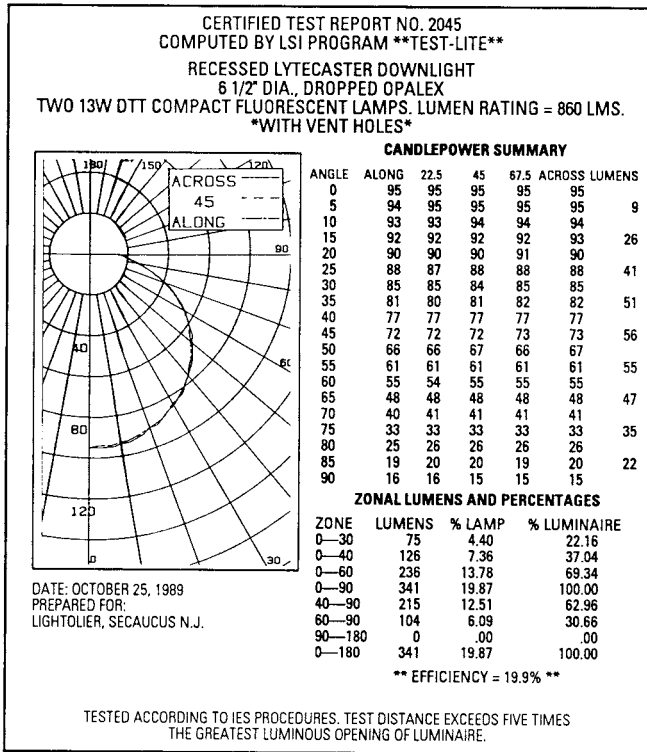
Job Information	Type:
<b>Job Name:</b>	
<b>Cat. No.:</b>	
<b>Lamp(s):</b>	
<b>Notes:</b>	

Lightolier a Genlyte company [www.lightolier.com](http://www.lightolier.com)  
631 Airport Road, Fall River, MA 02720 • (508) 679-8131 • Fax (508) 674-4710  
We reserve the right to change details of design, materials and finish.  
© 2011 Genlyte Group LLC • L0711



Use quick calculator chart to determine the spacing of 2 Lt. 13Watt Quad Tube units for a desired level of illumination. Conversion Factors: 1 Lt. 13W Quad Tube, F.C. x 0.55. 75W A19, F.C. x 1.45.

**SPACING RATIO = 1.3**



**COEFFICIENTS OF UTILIZATION**

% EFFECTIVE CEILING CAVITY REFLECTANCE

ROOM CAVITY RATIO	% EFFECTIVE CEILING CAVITY REFLECTANCE																											
	80		70		50		30		10		0																	
	% WALL REFLECTANCE																											
	50			30			10			50			30			10			50			30			10			0
1	.20	.19	.18	.20	.19	.18	.19	.18	.18	.18	.18	.17	.17	.17	.17	.17	.17	.17	.17	.17	.17	.17	.17	.17	.17	.16		
2	.18	.16	.15	.17	.16	.15	.16	.15	.14	.16	.15	.14	.15	.14	.14	.15	.14	.14	.14	.14	.14	.14	.14	.14	.14	.13		
3	.15	.14	.12	.15	.13	.12	.14	.13	.12	.14	.13	.12	.13	.12	.11	.13	.12	.11	.11	.11	.11	.11	.11	.11	.11	.11		
4	.14	.12	.10	.13	.12	.10	.13	.11	.10	.12	.10	.10	.12	.11	.10	.12	.11	.10	.10	.10	.10	.10	.10	.10	.10	.09		
5	.12	.10	.09	.12	.10	.09	.11	.10	.09	.11	.10	.09	.11	.09	.08	.10	.09	.08	.08	.08	.08	.08	.08	.08	.08	.08		
6	.11	.09	.08	.11	.09	.08	.10	.09	.07	.10	.08	.07	.10	.08	.07	.10	.08	.07	.07	.07	.07	.07	.07	.07	.07	.07		
7	.10	.08	.07	.09	.08	.06	.09	.08	.06	.09	.07	.06	.09	.07	.06	.09	.07	.06	.06	.06	.06	.06	.06	.06	.06	.06		
8	.09	.07	.06	.09	.07	.06	.08	.07	.06	.08	.07	.06	.08	.07	.06	.08	.07	.06	.06	.06	.06	.06	.06	.06	.06	.05		
9	.08	.06	.05	.08	.06	.05	.08	.06	.05	.07	.06	.05	.07	.06	.05	.07	.06	.05	.05	.05	.05	.05	.05	.05	.05	.05		
10	.07	.05	.04	.07	.05	.04	.07	.05	.04	.07	.05	.04	.07	.05	.04	.06	.05	.04	.04	.04	.04	.04	.04	.04	.04	.04		

20% FLOOR CAVITY REFLECTANCE

Conversion Factors: 1 Lt. 13W Quad Tube, C.U. x 1.15. 75W A19, C.U. x 2.0.

To convert lighting data for a lower wattage incandescent lamp of the same type, multiply the footcandle (or candlepower) values by the ratio of the lumens of the two lamps. The coefficients of utilization remain the same.

**Job Information** **Type:**

Lightolier a Genlyte company [www.lightolier.com](http://www.lightolier.com)  
631 Airport Road, Fall River, MA 02720 • (508) 679-8131 • Fax (508) 674-4710  
We reserve the right to change details of design, materials and finish.  
© 2011 Genlyte Group LLC • L0711

**LIGHTOLIER®**