

22MM PLASTIC ROUND ACTUATOR: EMERGEN.-STOP MUSHR.PUSHB. 40MM WITH RONIS KEY-OPER.SWITCH LATCHING WITH KEY-OPER.SWITCH- UNLOCKING LOCK NO SB30 WITH HOLDER RED



Actuator / signaling device:	
Design of the operating mechanism	Emergency stop mushroom pushbutton with lock
Type of unlocking device	key unlatching
Material / of the activation element	plastic
Number of switching positions	2
Switch position for key distraction	ON/OFF
Product component / front ring	No
Product function / EMERGENCY STOP function	Yes

Holder:	
Material / of holder	Plastic

General technical details:	
Resistance against shock • for devices without incandescent lamp / according to IEC 60068-2-27	<= 50g
Resistance against vibration / according to IEC 60068-2-6	20 ... 200 Hz: 5g
Operating cycles / maximum	1/h 1,000
Mechanical operating cycles as operating time / typical	300,000
Item designation • according to DIN EN 61346-2	S

<ul style="list-style-type: none"> according to DIN 40719 extendable after IEC 204-2 / according to IEC 750 		S
Tightening torque / of the screws in the bracket / maximum	N-m	1
Ambient temperature		
<ul style="list-style-type: none"> during operating 	°C	-25 ... +70
<ul style="list-style-type: none"> during storage 	°C	-40 ... +80
Protection class IP		IP66
B10 value / with high demand rate / according to SN 31920		100,000
Proportion of dangerous failures / with high demand rate / according to SN 31920	%	20
Proportion of dangerous failures / with low demand rate / according to SN 31920	%	20
Failure rate (FIT value) / with low demand rate / according to SN 31920	FIT	100
T1 value / for proof test interval or service life / according to IEC 61508	a	20
climatic class / during the operating phase / according to EN 60721		3K6
Type of mounting		front mounting
Shape / of the installation hole		round
Installation width	mm	40
Mounting diameter	mm	22
Mounting height	mm	23.5
Mounting depth	mm	29

Certificates/approvals:

General Product Approval



CSA



GOST



UL

Test Certificates

[Special Test Certificate](#)

Shipping Approval



ABS



BUREAU VERITAS



DNV



LRS



PRS



RINA

other

[Confirmation](#)

[other](#)

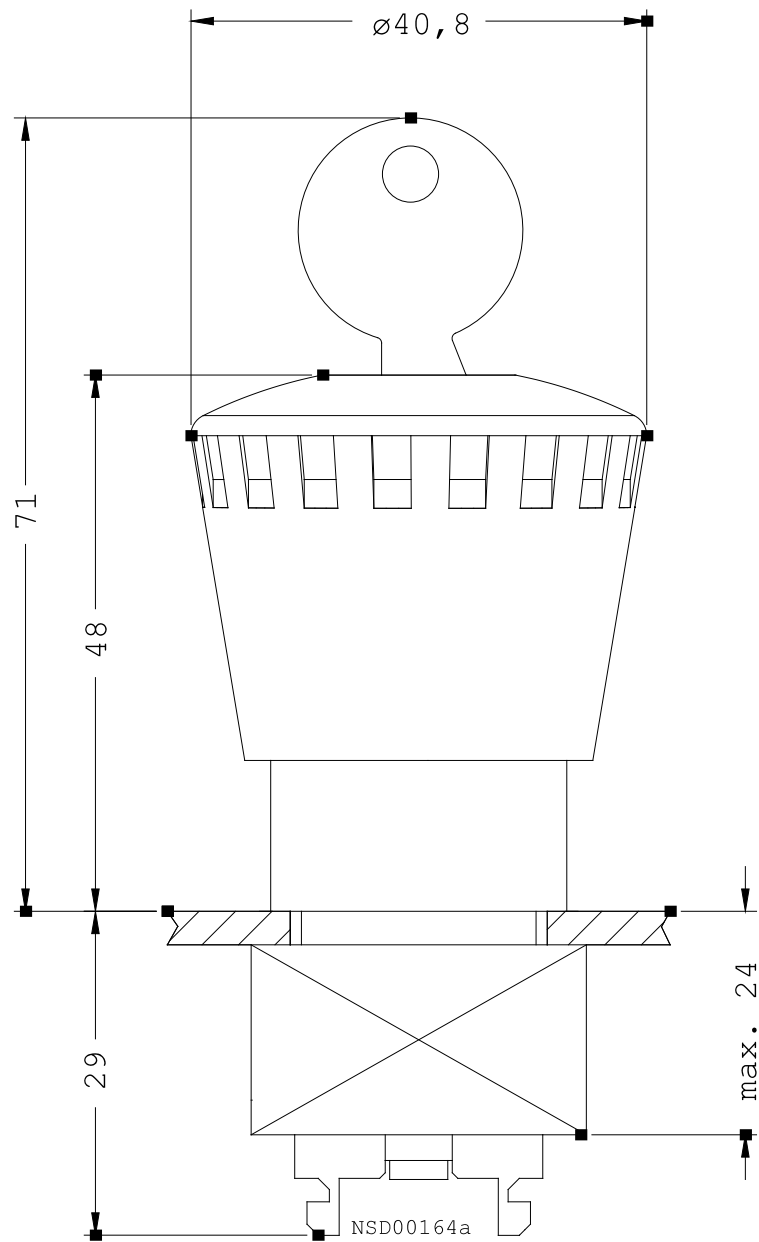


UL

Further information:

Information- and Downloadcenter (Catalogs, Brochures,...)

<http://www.siemens.com/industrial-controls/catalogs>



last change:

Jul 17, 2012