

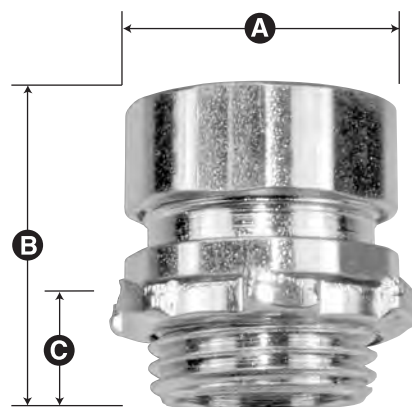


"The Diamond of the Industry"

## EMT Connectors Compression Type

- For connecting & bonding electrical metallic tubing to a box or enclosure
- Concrete Tight 1/2" to 4"
- Screw Machined Steel, zinc plated
- 2-1/2" to 4" malleable iron

| Cat. #  | Size   | Unit Ctn | Std Pkg | WT/ 100 |
|---------|--------|----------|---------|---------|
| EC750US | 1/2"   | 50       | 250     | 8       |
| EC751US | 3/4"   | 25       | 250     | 12      |
| EC752US | 1"     | 20       | 100     | 19      |
| EC753US | 1-1/4" | 5        | 50      | 30      |
| EC754US | 1-1/2" | 5        | 25      | 46      |
| EC755US | 2"     | 5        | 25      | 55      |
| EC756US | 2-1/2" | -        | 5       | 242     |
| EC757US | 3"     | -        | 3       | 307     |
| EC758US | 3-1/2" | -        | 3       | 390     |
| EC759US | 4"     | -        | 2       | 492     |



## With Insulated Throat

| Cat. #   | Size   | Unit Ctn | Std Pkg | WT/ 100 |
|----------|--------|----------|---------|---------|
| EC750BUS | 1/2"   | 50       | 250     | 8       |
| EC751BUS | 3/4"   | 25       | 250     | 12      |
| EC752BUS | 1"     | 20       | 100     | 19      |
| EC753BUS | 1-1/4" | 5        | 50      | 30      |
| EC754BUS | 1-1/2" | 5        | 25      | 46      |
| EC755BUS | 2"     | 5        | 25      | 55      |
| EC756BUS | 2-1/2" | -        | 5       | 242     |
| EC757BUS | 3"     | -        | 3       | 307     |
| EC758BUS | 3-1/2" | -        | 3       | 390     |
| EC759BUS | 4"     | -        | 2       | 492     |

## Dimensional Table

| Cat. #   | A Diameter | B Length | C Length of Thread |
|----------|------------|----------|--------------------|
| EC750BUS | 1.750      | 1.250    | .406               |
| EC751BUS | 1.813      | 1.563    | .406               |
| EC752BUS | 2.000      | 1.813    | .406               |
| EC753BUS | 2.750      | 2.188    | .500               |
| EC754BUS | 3.000      | 2.438    | .500               |
| EC755BUS | 3.188      | 2.938    | .688               |
| EC756BUS | 3.929      | 3.875    | 1.250              |
| EC757BUS | 4.650      | 4.000    | 1.375              |
| EC758BUS | 5.198      | 4.312    | 1.375              |
| EC759BUS | 5.750      | 4.50     | 1.500              |