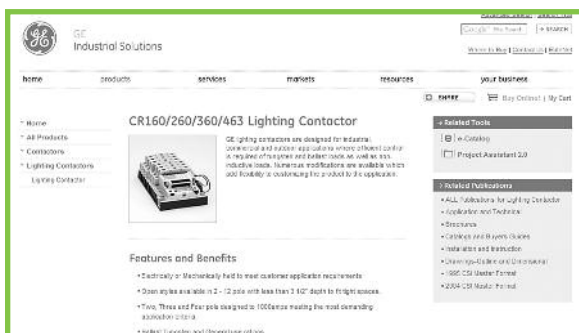
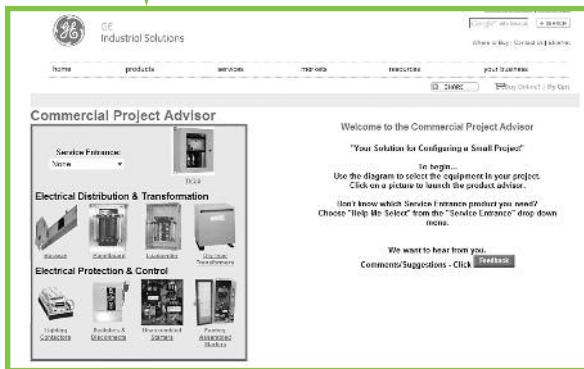


Lighting Contactors

Section 3

Check out this useful selection tool on the web!

Select a Lighting Contactor for your specific application.



Contents

- Lighting Contactors Electrical Features and Benefits** 3-2
- Lighting Contactors Mechanical Features and Benefits** 3-3
- Lighting Contactors CR460 Series** 3-4
 - Application Information..... 3-4
 - The Choice is yours: Three ways to order..... 3-5
 - Components 3-6
 - Enclosure Accessories..... 3-7
 - Project Submittal Form..... 3-8
- Lighting Contactors CR463L** 3-9
 - Standard Assembled Forms 3-9
 - Modified Assembled Forms - Electrically Held..... 3-11
- Lighting Contactors CR463M** 3-13
 - Standard Assembled Forms 3-13
 - Modified Assembled Forms - Mechanically Held 3-15
- Lighting Contactors CR460, CR463** 3-17
 - Technical Data 3-17
- Lighting Contactors CR463L, CR463M** 3-18
 - Wiring Diagrams 3-18
 - Outlines and Dimensions For Estimating Only 3-19
- Lighting Contactors CR360L** 3-22
 - Application Information 3-22
 - Selection..... 3-23
 - Technical Data 3-25
 - Outlines and Dimensions For Estimating Only 3-26
- Lighting Contactors CR360ML** 3-28
 - Application Information 3-28
 - Selection..... 3-29
- Lighting Contactors CR160MC** 3-31
 - Application Information 3-31
 - Modified Assembled Forms - Mechanically Held 3-32
 - Technical Data 3-35
 - Outlines and Dimensions For Estimating Only 3-36

Visit our
Lighting Contactor information page at:
www.geindustrial.com/lightingcontactors

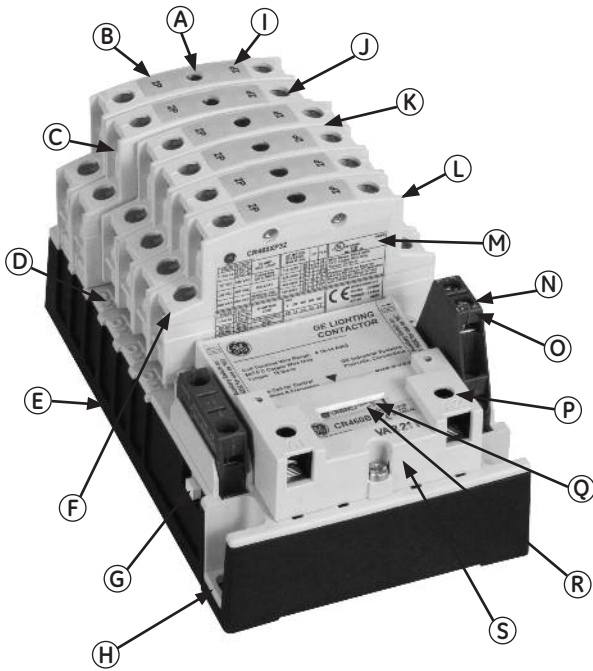


Lighting Contactors

Electrical Features and Benefits

Section 3

GE's CR460 Series lighting contactors deliver unprecedented versatility in application, simplicity in configuration and performance in operation. Ingenious design, rugged construction and a host of truly useful features make them uniquely appealing to all those who use them.

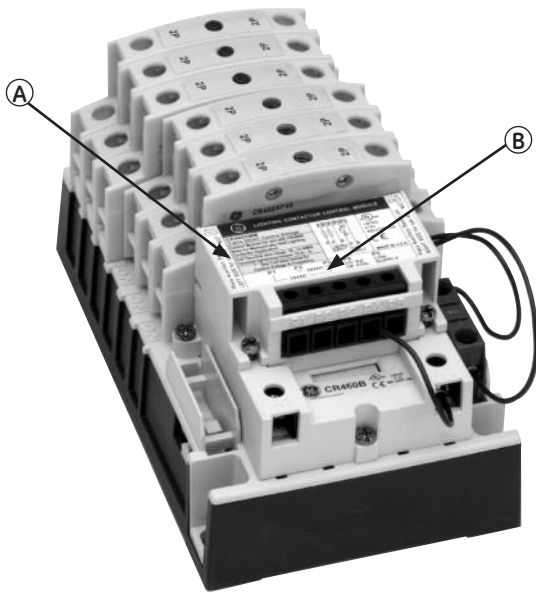


Electrically Held Contactor

- Ⓐ Contact position indication—when button protrudes, contact is closed.
- Ⓑ Power poles are available as single or double poles, creating 74 different circuit combinations.
- Ⓒ Convenient side access field power wiring
- Ⓓ Contact configuration indicator
- Ⓔ Standard base for all pole configurations
- Ⓕ Robust pole terminals accept up to two #8 AWG wires
- Ⓖ Manual operator
- Ⓗ Fast, sure three-point mounting
- Ⓘ Enclosed contacts resist contaminants for greater reliability
- Ⓝ Combination slotted/#2 Phillips screws
- Ⓚ Common, easily installed power poles change from NO to NC (or vice versa) simply by unlatching and rotating 180°.
- Ⓛ Power poles rated for the range of tasks:
 - 30A rated contacts
 - 15A motor rated
 - A600 Pilot duty rated
- Ⓜ Easy-to-read rating label
- Ⓝ Auxiliary contacts, rated A600, are suitable for use on low level circuits down to 12V, 5mA
- Ⓞ Plug-in auxiliary contacts are NO when installed on the left side of the base, NC on the right
- Ⓟ Finger and back-of-hand safe power terminals
- Ⓠ Quick-view coil voltage
- Ⓡ Easy-change coil
- Ⓢ Low magnetic noise results in quiet operation



Mechanically held contactors also feature:



Mechanically Held Contactor

- Ⓐ Two-or-three-wire control module:
 - low input VA permits long wire runs
 - verifies contact status and has built-in delays that minimize excessively frequent signals from faulty controllers
 - come in a wide range of input voltages. Four modules cover input voltages from 24-277 VAC and 12-24 VDC. All modules may be used with coil voltage from 24 VAC-277 VAC.

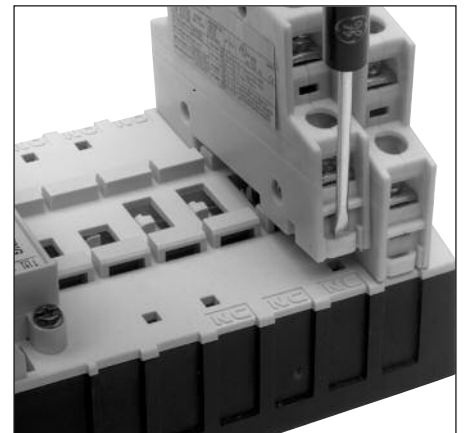
- Ⓑ Clear labeling shows control module rating, wire size and torque

Field configurable from standard electrically held contactor with simple, easy-to-install kits of control modules, latch mechanisms and auxiliary contacts.

The ultimate in versatility, simplicity and performance

All CR460 Series lighting contactors deliver unprecedented versatility in application, simplicity in configuration and performance in operation. Their revolutionary design and unique features meet most lighting control needs better than ever before.

- Modular design permits fast, on-site configuration
- 2-12 power poles
- 30 amp rating
- Snap-in auxiliary contacts
- Common components for both electrically and mechanically held versions
- Continuously rated, interchangeable coils
- Finger-safe terminals



Power poles latch easily onto the base, and designating them as NO or NC is a simple matter of left or right positioning. Additional poles may be added at any time.



Lighting Contactors

CR460 Series

Section 3

Application Information

CR460 lighting contactors switch ballast (fluorescent or HID), tungsten and general use loads and carry motor load, resistive and pilot duty ratings as well.

CR463L Electrically Held Contactors

Operational Mode

- 3-wire control is typically used when control is desired from multiple locations. The contactor is operated from a momentary pilot device and requires an auxiliary contact to be used as a holding interlock.
- 2-wire control is used for single location control with power continuously supplied to the coil for contactor operation.

CR463M Mechanically Held Contactors

A mechanical latch with a 2- or 3-wire electronic control module delivers reliable performance and protection from such application abnormalities as line noise, leakage currents from controller outputs, or short repetitive commands burst from faulty controllers.

Mechanical Operation

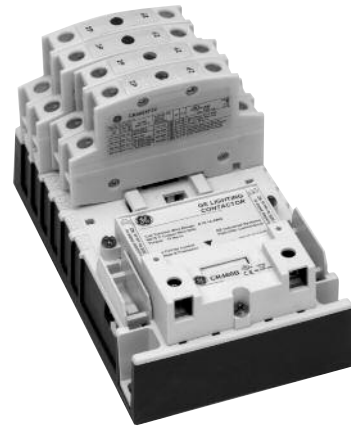
- Latches after contactor command and removes coil from circuit for noise-free operation
- Eliminates all coil losses after contactor is latched

Control Module

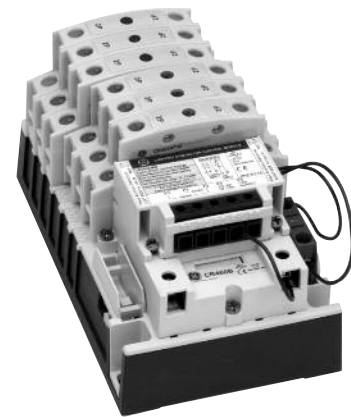
- Coil operation and control circuit at same or different voltages
- Allows longer control wiring runs
- Microprocessor validates control signal before operation
 - will not respond to momentary voltage spikes or noise
 - operation command has built in delay (0.4 sec) to avoid multiple short-term commands that can cause contact fatigue or failure
 - feedback loop prevents contactor from getting out of sequence with switches, even after power failures

Operational Modes

- 3 wire control is the choice for use with momentary devices allowing operation from multiple locations
 - a momentary pulse of energy operates contactor; a second pulse on alternate leg returns contactor to original state
- 2-wire control is the choice for single-output automatic operation or for operation from single-pole devices
 - latches contactor into position when voltage is applied to input terminals (coil is removed from circuit while control voltage is continuously supplied); disengages latch and returns contactor to original state when control voltage is removed.



CR463L Electrically Held



CR463M Mechanically Held



Lighting Contactors

CR460 Series

The choice is yours:

3 ways to order CR460 Series Lighting Contactors

Ordering the correct contactor for your application may be accomplished in any of three ways. Choose the one that's right for you.

1. Order components and assemble in minutes (see pages 3-6 and 3-7).

- Cost-effective
- Allows late-point configuration
- Greatest flexibility
- Parts in stock for immediate delivery

2. Order standard assembled contactor and rotate poles to meet pole requirements (see pages 3-9, 3-10, 3-13 and 3-14).

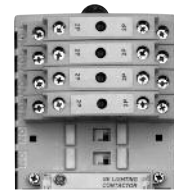
- Available from stock or short cycle for timely delivery
- Single product number to order
- Allows local stocking of most common assembled forms via pole reconfiguration

When you receive the contactor, simply reconfigure it to the NO-NC arrangement you require by rotating the appropriate power plates. It just takes a minute.

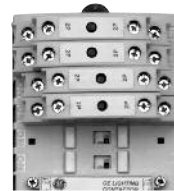
Example: 4NO-4NC required. Order CR463L80AJA.

3. Order assembled contactor configured to the exact application need (see pages 3-11, 3-12, 3-15 and 3-16)

- Order contactor as required by application
- Arrives fully assembled, ready to install



CR463L80AJA (8NO)



Contactor reconfigured as 4NO-4NC



Lighting Contactors

CR460

Components

Basic Contactor

Combined with other appropriate components, basic contactors allow configuration into any available electrically or mechanically held model. Includes two power poles.

Contact Configuration	Product Number	List Price GO-10MB
1NO-1NC	CR463L11A*A	\$165.00
2NO	CR463L20A*A	\$160.00

Replace * in the product number with the appropriate digits from the Coil Voltage table. The resulting product number will be for an assembled contactor with no additional auxiliary contacts, pilot devices, pilot lights, control circuit fuses or CPTs. There is no list price adder to Coil Selection.

Coil Voltage

AC, 60Hz	AC, 50Hz	Electrically Held	Mechanically Held	Coil Digit
24V	20V	√	√	C
28V	24V	√	√	D
115-120V	110V	√	√	J
200-208V	—	√	√	L
230-240V	220V	√	√	S
277V	240V	√	√	N
347V	—	√	1	T
460-480V	440V	√	1	U
575-600V	550V	√	1	Y

¹Control module switching device rated 277V max; use CPT for higher voltage

Power Poles

CR460 Series basic contactors accept up to 6 single- or double-pole power poles. These can be used to form up to:

- 12 NO poles when 6 double-poles are used in the NO positions (1-6) or
- 8 NC poles with 4 double-poles in the NC positions (1-4) + 4 NO poles with 2 double-poles in the 2 NO positions (5-6)

Type	Product Number	List Price GO-10MB
Single Pole	CR460XP31	\$43.00
Double Pole	CR460XP32	\$82.00

Packaged individually and overpacked in multiple of 5.

Conversion Kits for Mechanically Held Contactors

Kits for converting electrically held contactors to a mechanically held version. Kits includes control module, latch, latch cover and auxiliary contact(s) plus installation instructions. Conversion kits are suitable for coil voltages 277V and below. Use CPT to reduce coil voltage if line voltage is higher than 277V.

Coil Voltage Range	Control Circuit Wiring	Auxiliary Contacts ¹	Control Circuit Voltage	Product Number	List Price GO-10MB
24-277 Vac	2-wire	(1) 1 Pole	24 Vac	CR460XMB	\$105.00
24-277 Vac	2-wire	(1) 1 Pole	110-120 Vac	CR460XMC	\$105.00
24-277 Vac	2-wire	(1) 1 Pole	200-277 Vac	CR460XMD	\$105.00
24-277 Vac	2-wire	(1) 1 Pole	12-28 Vdc	CR460XME	\$105.00
24-277 Vac	3-wire	(2) 1 Pole	24 Vac	CR460XMM	\$115.00
24-277 Vac	3-wire	(2) 1 Pole	110-120 Vac	CR460XMN	\$115.00
24-277 Vac	3-wire	(2) 1 Pole	200-277 Vac	CR460XMP	\$115.00
24-277 Vac	3-wire	(2) 1 Pole	12-28 Vdc	CR460XMR	\$115.00

¹Auxiliary contact block required for feedback loop, alternate 2 pole blocks may be required for status feedback and/or pilot lights. See Fuse and Transformer Kits table on page 3-7 for CPT selection. See wiring diagrams on page 3-17.

Auxiliary Contacts

Each contactor may use one single or one double auxiliary contact block on each side of the base. When installed on the left side the contacts are NO, when installed on the right side the contacts are NC. This allows a total of 2NO + 2NC contacts maximum.

Type	Product Number	List Price GO-10MB
Single Pole	CR460XB1	\$9.00
Double Pole	CR460XB2	\$17.00

See Additional Auxiliary Contacts tables on pages 3-13 and 3-15 for contact selection data.

Spare Coils

Coil Voltage @ 60 Hz	Coil Voltage @ 50 Hz	Product Number	List Price GO-10MB
24	20	CR460XCC	\$45.00
28	24	CR460XCD	\$45.00
115-120	110	CR460XCJ	\$45.00
200-208	—	CR460XCL	\$45.00
230-240	220	CR460XCS	\$45.00
277	240	CR460XCN	\$45.00
347	—	CR460XCT	\$45.00
460-480	440	CR460XCU	\$45.00
575-600	550	CR460XCY	\$45.00

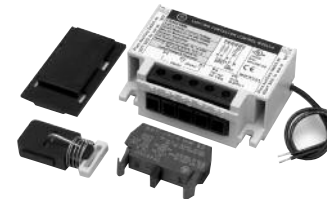
Section 3



CR463L—Basic Contactor



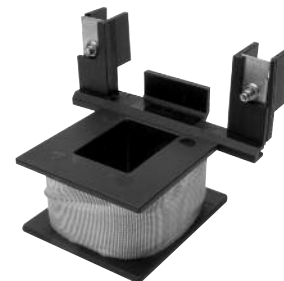
CR460XP—Power Poles



CR460XM—Conversion Kits



CR460XB—Auxiliary Contacts



CR460XC Spare Coils



Lighting Contactors

CR460

Enclosure Accessories

Enclosure Kits (with no CPT or pilot light devices, lights)

Description	Enclosure Type	Product Number	List Price GO-10MB
Standard			
With no CPT or pilot device	NEMA Type 1	CR460XE1B	\$43.00
With no CPT or pilot device	NEMA Type 1 Flush Mount	CR460XE8B	\$80.00
With no CPT or pilot device	NEMA Type 12/3R	CR460XE2B	\$100.00
Oversized			
With provision for CPT and/or pilot devices, lights	NEMA Type 1	CR460XE1D	\$83.00
With provision for CPT and/or pilot devices, lights	NEMA Type 12/3R	CR460XE2D	\$140.00
With provision for CPT and/or pilot devices, lights	NEMA Type 4	CR460XE4D	\$235.00

See pages 3-19 to 3-20 for enclosure dimensions.

Pilot Devices (Requires oversize enclosure)

Pilot Device Type	For Use With	Product Number	List Price GO-10MB
Momentary ON/OFF Push Button	Electrically Held with Interlock Aux. Mechanically Held 3-wire Control Module	CR460XP1	\$122.00
Maintained ON/OFF or OFF/AUTO Selector Switch	Electrically Held w/o Interlock Aux. Mechanically Held 2-wire Control Module Mechanically Held 3-wire Control Module	CR460XP2	\$122.00
Momentary ON/OFF Selector Switch, Spring Return to Center	Electrically Held with Interlock Aux. Mechanically Held 3-wire Control Module	CR460XP3	\$122.00
Maintained H-O-A or ON/OFF/AUTO Keyed Selector Switch	Electrically Held w/o Interlock Aux. Mechanically Held 3-wire Control Module	CR460XP4	\$122.00
Maintained H-O-A or ON/OFF/AUTO Keyed Selector Switch (Key Removal All Positions)	Electrically Held w/o Interlock Aux. Mechanically Held 3-wire Control Module	CR460XP5	\$158.00

Enclosure accessory kits contain accessory and complete installation wiring and hardware. Some kits contain multiple nameplates for alternate markings.

Pilot Lights (Requires oversize enclosure)

Pilot Light Type	Nameplate	Product Number	List Price GO-10MB
Standard	ON or OFF	CR460XLB*	\$152.00
Push-to-Test	ON or OFF	CR460XLD*	\$170.00

Pilot light kits come with interchangeable red and green lenses. Pilot lights may require auxiliary contacts.

Replace * in pilot light product number with appropriate voltage digit from the table below.

See extra contact limitations in the Additional Auxiliary Contacts tables on pages 3-11 and 3-15.

Pilot Light Voltage

Voltage	Digit
24 Vac/dc	C
120 Vac	J
208 Vac	L
240 Vac	S
277 Vac	N
347 Vac	T
480 Vac	U
600 Vac	Y

Transformer Kits - Includes 2 primary and 2 secondary fuse. (Requires oversize enclosure)

	CPT Primary Volts	CPT Secondary Volts	Product Number	List Price GO-10MB
100VA CPT Kit ¹	208V	120V	CR460XTB	\$347.00
100VA CPT Kit ¹	220-240V	120V	CR460XTC	\$347.00
100VA CPT Kit ¹	277V	120V	CR460XTD	\$347.00
100VA CPT Kit ¹	440-480V ¹	120V	CR460XTE	\$347.00
100VA CPT Kit ¹	600V	120V	CR460XTF	\$347.00
100VA CPT Kit ¹	120V	24V	CR460XTL	\$347.00
100VA CPT Kit ¹	208V	24V	CR460XTM	\$347.00
100VA CPT Kit ¹	220-240V ¹	24V	CR460XTN	\$347.00
100VA CPT Kit ¹	277V	24V	CR460XTP	\$347.00
100VA CPT Kit ¹	440-480V	24V	CR460XTR	\$347.00
100VA CPT Kit ¹	600V	24V	CR460XTS	\$347.00

¹May be reconnected in field for 440-480 volts; requires substitution of two 0.5 amp primary fuses.

Control Circuit Fuse Kit

For Use With	Product Number	List Price GO-10MB
Contactors Without CPT	CR460XF	\$155.00



Extended Button



Standard



Push-to-Test



Control Power Transformer



Lighting Contactors CR460 Series Lighting Contactors – Project Submittal Form

Section 3

Item No. _____

Proposition No. _____

CR460 Series lighting contactors feature:

- A modular design that permits fast, on-site configuration
- 2-12 power poles that latch easily onto the base as either NO or NC and that can be added at any time
- 30 amp rating
- Snap-in auxiliary contacts

- Common components for both electrically and mechanically held versions
- Continuously rated, interchangeable coils
- Finger-safe terminals

Main Power Pole Ratings

Maximum AC Voltage and Amp Ratings

Load Type	Amps Continuous	1 Phase	3 Phase
Ballast	30	347 Vac	600 Vac
General Use	30	600 Vac	600 Vac
Tungsten	20	277 Vac	480 Vac
AC Resistive	30	600 Vac	600 Vac

Maximum Horsepower Rating (Normal Starting Duty)

	1 Pole Single Phase		3 Poles, Three Phase			
	Volts	HP	200-208V	220-240V	440-480V	550-600V
HP	1	2	3	5	10	15

Power pole configuration	Electrically Held Contactor				Mechanically Held Contactor	
	NO	NC	Standard Type 1 Enclosure	Oversized Type 1 Enclosure	Standard Type 1 Enclosure	Oversized Type 1 Enclosure
2	0		<input type="checkbox"/> CR463L20A*A10A0	<input type="checkbox"/> CR463L20A*A10AA	<input type="checkbox"/> CR463M20##A10A0	<input type="checkbox"/> CR463M20##A10AA
3	0		<input type="checkbox"/> CR463L30A*A10A0	<input type="checkbox"/> CR463L30A*A10AA	<input type="checkbox"/> CR463M30##A10A0	<input type="checkbox"/> CR463M30##A10AA
4	0		<input type="checkbox"/> CR463L40A*A10A0	<input type="checkbox"/> CR463L40A*A10AA	<input type="checkbox"/> CR463M40##A10A0	<input type="checkbox"/> CR463M40##A10AA
6	0		<input type="checkbox"/> CR463L60A*A10A0	<input type="checkbox"/> CR463L60A*A10AA	<input type="checkbox"/> CR463M60##A10A0	<input type="checkbox"/> CR463M60##A10AA
8	0		<input type="checkbox"/> CR463L80A*A10A0	<input type="checkbox"/> CR463L80A*A10AA	<input type="checkbox"/> CR463M80##A10A0	<input type="checkbox"/> CR463M80##A10AA
10	0		<input type="checkbox"/> CR463L80A*A10A0	<input type="checkbox"/> CR463L80A*A10AA	<input type="checkbox"/> CR463M80##A10A0	<input type="checkbox"/> CR463M80##A10AA
12	0		<input type="checkbox"/> CR463LD0A*A10A0	<input type="checkbox"/> CR463LD0A*A10AA	<input type="checkbox"/> CR463MD0##A10A0	<input type="checkbox"/> CR463MD0##A10AA

* 60Hz Coil Voltage (✓) for Electrically Held

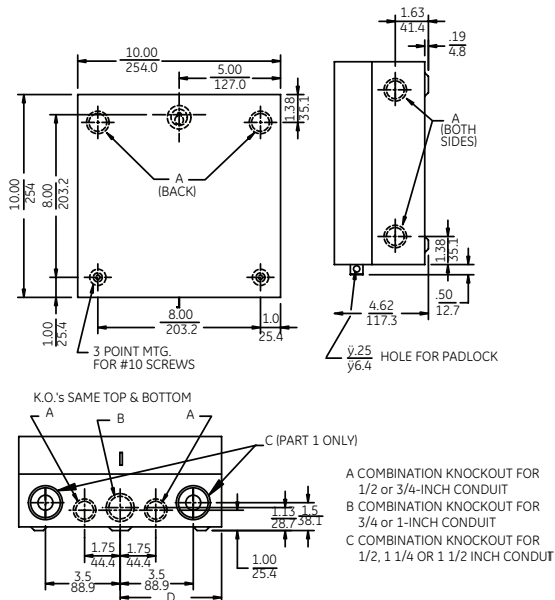
Coil Voltage	115-24V	200-120V	230-208V	277V	460-488V	575-600V
Control	<input type="checkbox"/> C	<input type="checkbox"/> J	<input type="checkbox"/> L	<input type="checkbox"/> S	<input type="checkbox"/> T	<input type="checkbox"/> U
					<input type="checkbox"/> V	<input type="checkbox"/> Y

Control Module (✓) for Mechanically Held

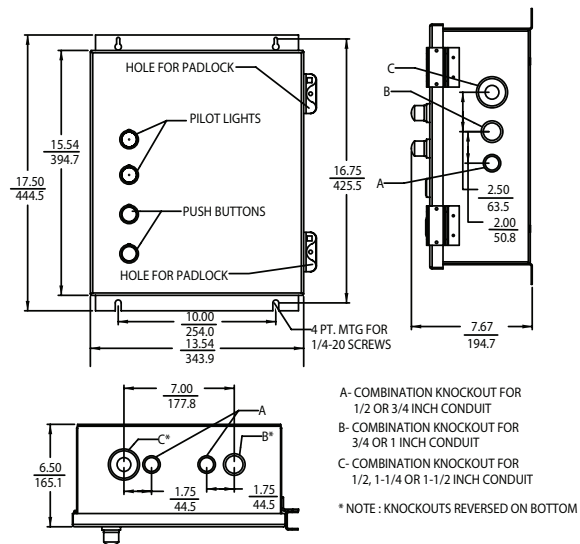
Control Volts	2-wire Control Coil Voltage		3-wire Control Coil Voltage	
	24-28V	110-120V	277V	277V
24-28V	<input type="checkbox"/> BJ	<input type="checkbox"/> CN	<input type="checkbox"/> MJ	<input type="checkbox"/> MN
110-120V	<input type="checkbox"/> CJ	<input type="checkbox"/> PN	<input type="checkbox"/> NJ	<input type="checkbox"/> NN
200-277V	–	–	–	<input type="checkbox"/> PN

Extended description (if any): _____

Type 1, Standard Enclosure



Type 1, Oversized Enclosure



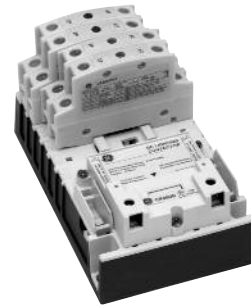
- A- COMBINATION KNOCKOUT FOR 1/2 OR 3/4 INCH CONDUIT
 - B- COMBINATION KNOCKOUT FOR 3/4 OR 1 INCH CONDUIT
 - C- COMBINATION KNOCKOUT FOR 1/2, 1-1/4 OR 1-1/2 INCH CONDUIT
- * NOTE : KNOCKOUTS REVERSED ON BOTTOM



Lighting Contactors

CR463L

Electrically Held Contactors
CR463L - 30A (2-12 pole)
Standard Assembled Forms



Product Number Selection Instructions

Replace * in the product number with the appropriate digits from the Coil Voltage table. The resulting product number will be for an assembled contactor with no additional auxiliary contacts, pilot devices, pilot lights, control circuit fuses or CPTs. There is no list price adder for Coil Selection.

For modified assembled forms with those modifications, see pages 3-11 and 3-12.

- Items listed here are the most common pole configurations.
- Poles may be reconfigured by the user into alternative combinations of NO and NC contacts.
- All configurations are available as factory-assembled forms.

Open

No. of Poles	Contact Configuration	Product Number	List Price GO-10MB
2	1NO-1NC	CR463L11A*A	\$165.00
2	2NO	CR463L20A*A	\$160.00
3	3NO	CR463L30A*A	\$204.00
4	3NO-1NC	CR463L31A*A	\$248.00
4	4NO	CR463L40A*A	\$243.00
5	5NO	CR463L50A*A	\$287.00
6	5NO-1NC	CR463L51A*A	\$331.00
6	6NO	CR463L60A*A	\$326.00
7	7NO	CR463L70A*A	\$370.00
8	7NO-1NC	CR463L71A*A	\$414.00
8	8NO	CR463L80A*A	\$409.00
9	9NO	CR463L90A*A	\$453.00
10	9NO-1NC	CR463L91A*A	\$497.00
10	10NO	CR463LB0A*A	\$492.00
11	11NO	CR463LC0A*A	\$536.00
12	12NO	CR463LD0A*A	\$575.00

Enclosed NEMA Type 1 Surface Mount

No. of Poles	Contact Configuration	Product Number	List Price GO-10MB
2	1NO-1NC	CR463L11A*A10A0	\$183.00
2	2NO	CR463L20A*A10A0	\$178.00
3	3NO	CR463L30A*A10A0	\$222.00
4	3NO-1NC	CR463L31A*A10A0	\$266.00
4	4NO	CR463L40A*A10A0	\$261.00
5	5NO	CR463L50A*A10A0	\$335.00
6	5NO-1NC	CR463L51A*A10A0	\$379.00
6	6NO	CR463L60A*A10A0	\$374.00
7	7NO	CR463L70A*A10A0	\$418.00
8	7NO-1NC	CR463L71A*A10A0	\$462.00
8	8NO	CR463L80A*A10A0	\$457.00
9	9NO	CR463L90A*A10A0	\$501.00
10	9NO-1NC	CR463L91A*A10A0	\$545.00
10	10NO	CR463LB0A*A10A0	\$540.00
11	11NO	CR463LC0A*A10A0	\$584.00
12	12NO	CR463LD0A*A10A0	\$623.00

Enclosed NEMA Type 1 Surface Mount (Oversize)¹

No. of Poles	Contact Configuration	Product Number	List Price GO-10MB
2	1NO-1NC	CR463L11A*A10AA	\$223.00
2	2NO	CR463L20A*A10AA	\$218.00
3	3NO	CR463L30A*A10AA	\$262.00
4	3NO-1NC	CR463L31A*A10AA	\$306.00
4	4NO	CR463L40A*A10AA	\$301.00
5	5NO	CR463L50A*A10AA	\$375.00
6	5NO-1NC	CR463L51A*A10AA	\$419.00
6	6NO	CR463L60A*A10AA	\$414.00
7	7NO	CR463L70A*A10AA	\$458.00
8	7NO-1NC	CR463L71A*A10AA	\$502.00
8	8NO	CR463L80A*A10AA	\$497.00
9	9NO	CR463L90A*A10AA	\$541.00
10	9NO-1NC	CR463L91A*A10AA	\$585.00
10	10NO	CR463LB0A*A10AA	\$580.00
11	11NO	CR463LC0A*A10AA	\$624.00
12	12NO	CR463LD0A*A10AA	\$663.00

¹Oversize enclosures required for field installed pilot devices, pilot lights and control power transformers.

Enclosed NEMA Type 1 Flush Mount

No. of Poles	Contact Configuration	Product Number	List Price GO-10MB
2	1NO-1NC	CR463L11A*A80A0	\$245.00
2	2NO	CR463L20A*A80A0	\$240.00
3	3NO	CR463L30A*A80A0	\$284.00
4	3NO-1NC	CR463L31A*A80A0	\$328.00
4	4NO	CR463L40A*A80A0	\$323.00
5	5NO	CR463L50A*A80A0	\$367.00
6	5NO-1NC	CR463L51A*A80A0	\$411.00
6	6NO	CR463L60A*A80A0	\$406.00
7	7NO	CR463L70A*A80A0	\$450.00
8	7NO-1NC	CR463L71A*A80A0	\$494.00
8	8NO	CR463L80A*A80A0	\$489.00
9	9NO	CR463L90A*A80A0	\$533.00
10	9NO-1NC	CR463L91A*A80A0	\$577.00
10	10NO	CR463LB0A*A80A0	\$572.00
11	11NO	CR463LC0A*A80A0	\$616.00
12	12NO	CR463LD0A*A80A0	\$655.00

Coil Voltage

Insert coil digit in place of * in digit 10.

Coil Voltage	Coil Digit	
AC, 60Hz	AC, 50Hz	
24V	20V	C
28V	24V	D
115-120V	110V	J
200-208V	—	L
230-240V	220V	S
277V	240V	N
347V	—	T
460-480V	440V	U
575-600V	550V	Y



Lighting Contactors

CR463L

Electrically Held Contactors

CR463L - 30A (2-12 pole)

Standard Assembled Forms

Section 3

Enclosed NEMA Type 12/3R

No. of Poles	Contact Configuration	Product Number	List Price GO-10MB
2	1NO-1NC	CR463L11A*A20A0	\$275.00
2	2NO	CR463L20A*A20A0	\$270.00
3	3NO	CR463L30A*A20A0	\$314.00
4	3NO-1NC	CR463L31A*A20A0	\$358.00
4	4NO	CR463L40A*A20A0	\$353.00
5	5NO	CR463L50A*A20A0	\$397.00
6	5NO-1NC	CR463L51A*A20A0	\$441.00
6	6NO	CR463L60A*A20A0	\$436.00
7	7NO	CR463L70A*A20A0	\$480.00
8	7NO-1NC	CR463L71A*A20A0	\$524.00
8	8NO	CR463L80A*A20A0	\$519.00
9	9NO	CR463L90A*A20A0	\$563.00
10	9NO-1NC	CR463L91A*A20A0	\$607.00
10	10NO	CR463L80A*A20A0	\$602.00
11	11NO	CR463LC0A*A20A0	\$646.00
12	12NO	CR463LD0A*A20A0	\$685.00

Enclosed NEMA Type 4/4X

No. of Poles	Contact Configuration	Product Number	List Price GO-10MB
2	1NO-1NC	CR463L11A*A40A0	\$369.00
2	2NO	CR463L20A*A40A0	\$364.00
3	3NO	CR463L30A*A40A0	\$408.00
4	3NO-1NC	CR463L31A*A40A0	\$452.00
4	4NO	CR463L40A*A40A0	\$447.00
5	5NO	CR463L50A*A40A0	\$491.00
6	5NO-1NC	CR463L51A*A40A0	\$535.00
6	6NO	CR463L60A*A40A0	\$530.00
7	7NO	CR463L70A*A40A0	\$574.00
8	7NO-1NC	CR463L71A*A40A0	\$618.00
8	8NO	CR463L80A*A40A0	\$613.00
9	9NO	CR463L90A*A40A0	\$657.00
10	9NO-1NC	CR463L91A*A40A0	\$701.00
10	10NO	CR463L80A*A40A0	\$696.00
11	11NO	CR463LC0A*A40A0	\$740.00
12	12NO	CR463LD0A*A40A0	\$779.00

Enclosed NEMA Type 12/3R (Oversize)¹

No. of Poles	Contact Configuration	Product Number	List Price GO-10MB
2	1NO-1NC	CR463L11A*A20AA	\$315.00
2	2NO	CR463L20A*A20AA	\$310.00
3	3NO	CR463L30A*A20AA	\$354.00
4	3NO-1NC	CR463L31A*A20AA	\$398.00
4	4NO	CR463L40A*A20AA	\$353.00
5	5NO	CR463L50A*A20AA	\$437.00
6	5NO-1NC	CR463L51A*A20AA	\$481.00
6	6NO	CR463L60A*A20AA	\$476.00
7	7NO	CR463L70A*A20AA	\$520.00
8	7NO-1NC	CR463L71A*A20AA	\$564.00
8	8NO	CR463L80A*A20AA	\$559.00
9	9NO	CR463L90A*A20AA	\$603.00
10	9NO-1NC	CR463L91A*A20AA	\$647.00
10	10NO	CR463L80A*A20AA	\$642.00
11	11NO	CR463LC0A*A20AA	\$686.00
12	12NO	CR463LD0A*A20AA	\$725.00

¹Oversize enclosures required for field installed pilot devices, pilot lights and control power transformers.

Coil Voltage

Insert coil digit in place of * in digit 10.

Coil Voltage		
AC, 60Hz	AC, 50Hz	Coil Digit
24V	20V	C
28V	24V	D
115-120V	110V	J
200-208V	—	L
230-240V	220V	S
277V	240V	N
347V	—	T
460-480V	440V	U
575-600V	550V	Y



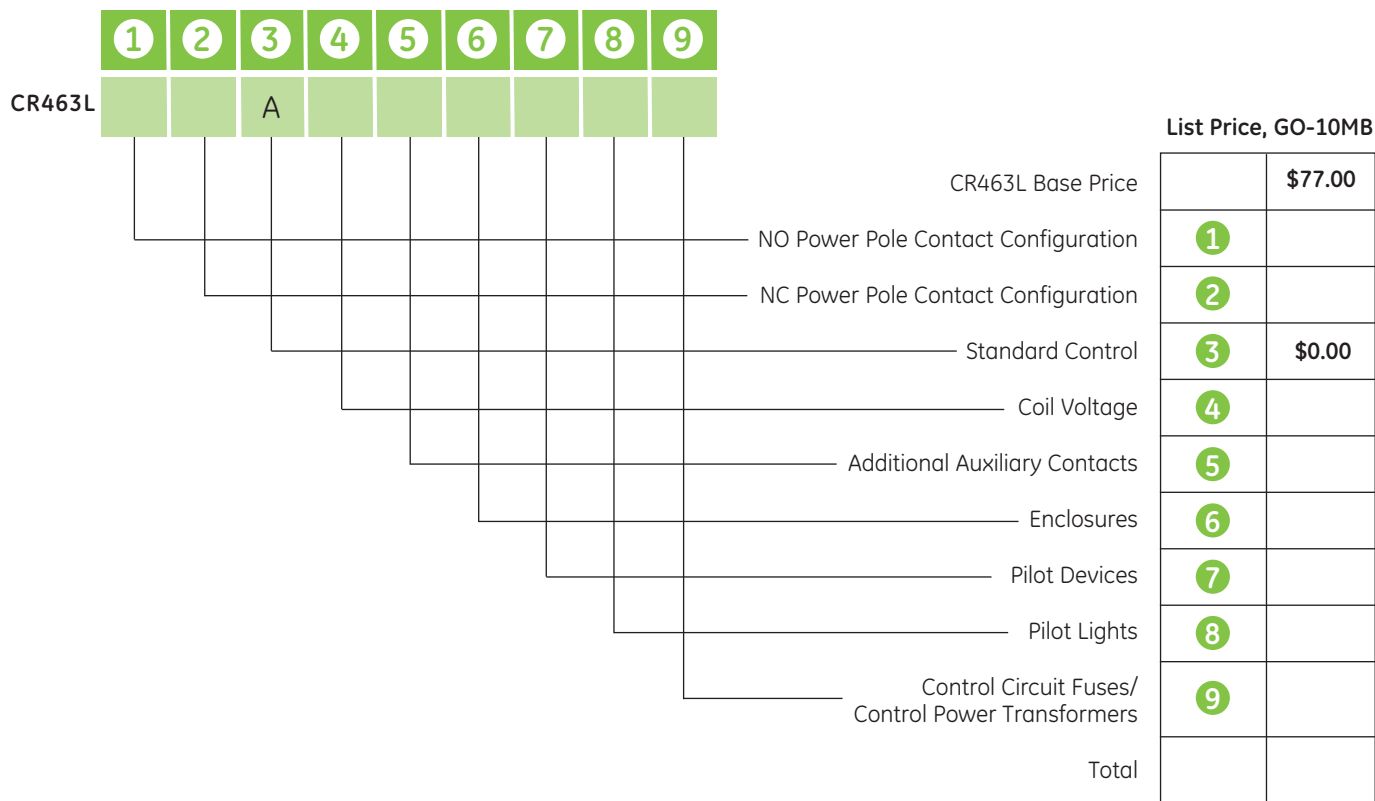
Lighting Contactors

CR463L

Modified Assembled Forms – Electrically Held

CR463L Electrically Held Contactors

Follow the diagram and tables below to select the options and corresponding product number digits for your modified contactor. Total the prices for each selection to arrive at the total list price, GO-10MB.



1 & 2 Power Pole Contact Configuration

The number of NO contacts is digit 1 and the number of NC contacts is digit 2.

NO Contacts Digit 1	List Price Adder, GO-10MB								
	NC Contacts Digit 2								
	0	1	2	3	4	5	6	7	8
0	—	—	\$83.00	\$127.00	\$166.00	\$210.00	\$249.00	\$293.00	\$332.00
1	—	\$88.00	\$127.00	\$171.00	\$210.00	\$254.00	\$293.00	\$337.00	\$376.00
2	\$83.00	\$127.00	\$166.00	\$210.00	\$249.00	\$293.00	\$332.00	\$376.00	\$415.00
3	\$127.00	\$171.00	\$210.00	\$254.00	\$293.00	\$337.00	\$376.00	\$420.00	\$459.00
4	\$166.00	\$210.00	\$249.00	\$293.00	\$332.00	\$376.00	\$415.00	\$459.00	\$498.00
5	\$210.00	\$254.00	\$293.00	\$337.00	\$376.00	\$420.00	\$459.00	—	—
6	\$249.00	\$293.00	\$332.00	\$376.00	\$415.00	\$459.00	\$498.00	—	—
7	\$293.00	\$337.00	\$376.00	\$420.00	\$459.00	—	—	—	—
8	\$332.00	\$376.00	\$415.00	\$459.00	\$498.00	—	—	—	—
9	\$376.00	\$420.00	\$459.00	—	—	—	—	—	—
10 (B) ¹	\$415.00	\$459.00	\$498.00	—	—	—	—	—	—
11 (C) ¹	\$459.00	—	—	—	—	—	—	—	—
12 (D) ¹	\$498.00	—	—	—	—	—	—	—	—

¹For digit 1 with 10 NO contacts use B; for 11 No contacts, use C; for 12 NO contacts, use D.

3 Standard Control

Digit 3: A

4 Coil Voltage

There is no price adder to coil selection.

Coil Voltage		
AC, 60Hz	AC, 50Hz	Digit 4
24V	20V	C
28V	24V	D
115-120V	110V	J
200-208V	—	L
230-240V	220V	S
277V	240V	N
347V	—	T
460-480V	440V	U
575-600V	550V	Y



5 Additional Auxiliary Contacts

Each side of the contactor base will accept one single- or double-pole auxiliary contact block, for a maximum of 2NO-2NC contacts. Enclosures with OFF pilot lights require 1NC contact. Specify an additional 1NO contact if a holding interlock is required and "not" selected as part of Digit 7 (1 or 3). For open forms, this is the final digit.

Additional (field use) Auxiliary Contacts	Digit 5 (Aux)	Open Type	Enclosed with Pilot Device Codes (Digit 7) 0, 2, 4, 5, 6, 7, 8 below				Enclosed with Pilot Device Codes (Digit 7) 1, 3 below				List Price Adder, GO-10MB
			No pilot devices or pilot lights Digit 8 = A	ON light across coil Digit 8 = B,D	OFF light thru NC contact Digit 8 = C,E	ON light across coil and OFF light thru NC contact Digit 8 = F,G	No pilot devices or pilot lights Digit 8 = A	ON light across coil Digit 8 = B,D	OFF light thru NC contact Digit 8 = C,E	ON light across coil and OFF light thru NC contact Digit 8 = F,G	
None	A	✓	✓	✓	✓	✓	✓	✓	✓	\$0.00	
1NO	B	✓	✓	✓	✓	✓	✓	✓	✓	\$10.00	
1NC	C	✓	✓	✓	✓	✓	✓	✓	✓	\$10.00	
1NO-1NC	D	✓	✓	✓	✓	✓	✓	✓	✓	\$20.00	
2NO	E	✓	✓	✓	✓	—	—	—	—	\$20.00	
2NO-1NC	F	✓	✓	✓	✓	—	—	—	—	\$30.00	
2NC	G	✓	✓	✓	—	✓	✓	—	—	\$20.00	
1NO-2NC	H	✓	✓	✓	—	✓	✓	—	—	\$30.00	
2NO-2NC	J	✓	✓	✓	—	—	—	—	—	\$40.00	

6 Enclosures

Enclosure Type	Digit 6	List Price Adder, GO-10MB
Type 1 Surface for 2-4 pole contactors	1	\$18.00
Type 1 Surface for 5-12 pole contactors	1	\$48.00
Type 1 Flush	8	\$80.00
Type 12/3R	2	\$110.00
Type 4/4X	4	\$204.00

7 Pilot Devices

Heavy-duty, 30mm pilot devices. Contractor supplied in oversize enclosures with these options. Not available in Type 1 flush enclosure.

Pilot Device	Holding Interlock		Digit 7	List Price Adder, GO-10MB
	Not Required	Included ²		
None			0	\$0.00
ON/OFF Push Button (Momentary)		X	1	\$142.00
ON/OFF Selector Switch (Maintained)	X		2	\$132.00
ON-OFF Selector Switch, Spring Return to Center (Momentary)		X	3	\$142.00
H-O-A Selector Switch (Maintained)	X		4	\$132.00
ON-OFF-AUTO Keyed Selector Switch (Removal All Positions) (Maintained)	X		5	\$168.00
H-O-A Keyed Selector Switch (Removal All Positions) (Maintained)	X		6	\$168.00
OFF-AUTO Selector Switch (Maintained)	X		7	\$132.00
ON-OFF-AUTO Selector Switch (Maintained)	X		8	\$132.00

²One holding interlock is included in pilot device digit and pricing.

8 Pilot Lights

Heavy-duty 30mm pilot lights with interchangeable red and green lenses. See the Additional Auxiliary Contacts table above for contact limitations. OFF light includes extra auxiliary contact. Not available in Type 1 flush enclosure.

Type	Pilot Light(s)	Digit 8	List Price Adder, GO-10MB
—	None	A	\$0.00
Standard ³	ON	B	\$152.00
	OFF	C	\$162.00
	ON and OFF	F	\$314.00
Push-to-Test ³	ON	D	\$170.00
	OFF	E	\$180.00
	ON and OFF	G	\$350.00

³ON is across coil; OFF is through NC contact, which is included in pilot light digit and pricing.

9 Control Circuit Fuses/Control Power Transformers

CPT secondary voltage must match control voltage. Not available in Type 1 flush enclosure.

Contactors Type	Description	Digit 9	List Price Adder, GO-10MB	
—	None	0	\$0.00	
Without CPT	Control Circuit Fuses	1	\$165.00	
	CPT Primary Volts	CPT Secondary Volts	B	\$367.00
		208	C	\$367.00
		220-240	D	\$367.00
		277	E	\$367.00
With 100VA CPT ⁴	440-480	F	\$367.00	
	600	L	\$367.00	
	120	M	\$367.00	
	208	N	\$367.00	
	220-240	P	\$367.00	
	277	R	\$367.00	
	440-480	S	\$367.00	
	600		\$367.00	

⁴Contactors supplied in oversize enclosure with these options.



Lighting Contactors

CR463M

Mechanically Held Contactors

CR463M - 30A (2-12 pole)

Standard Assembled Forms

Product Number Selection Instructions

To specify control and coil voltage, replace ** in the product number with the appropriate digits from the Control Circuit table, and add the price adder (if any) to the contactor list price. The resulting product number will be for an assembled contactor with no additional auxiliary contacts, pilot devices, pilot lights, control circuit fuses or CPTs. If coil supply voltage is greater than 277V, use a CPT.

For modified assembled forms with those modifications, see pages 3-15 and 3-16. Items listed here are the most common pole configurations.

Open

No. of Poles	Contact Configuration	Product Number	List Price GO-10MB
2	1NO-1NC	CR463M11**A	\$275.00
2	2NO	CR463M20**A	\$270.00
3	3NO	CR463M30**A	\$314.00
4	3NO-1NC	CR463M31**A	\$358.00
4	4NO	CR463M40**A	\$353.00
5	5NO	CR463M50**A	\$397.00
6	5NO-1NC	CR463M51**A	\$441.00
6	6NO	CR463M60**A	\$436.00
7	7NO	CR463M70**A	\$480.00
8	7NO-1NC	CR463M71**A	\$524.00
8	8NO	CR463M80**A	\$519.00
9	9NO	CR463M90**A	\$563.00
10	9NO-1NC	CR463M91**A	\$607.00
10	10NO	CR463MB0**A	\$602.00
11	11NO	CR463MC0**A	\$646.00
12	12NO	CR463MD0**A	\$685.00

Enclosed NEMA Type 1 Surface Mount

No. of Poles	Contact Configuration	Product Number	List Price GO-10MB
2	1NO-1NC	CR463M11**A10A0	\$293.00
2	2NO	CR463M20**A10A0	\$288.00
3	3NO	CR463M30**A10A0	\$332.00
4	3NO-1NC	CR463M31**A10A0	\$376.00
4	4NO	CR463M40**A10A0	\$371.00
5	5NO	CR463M50**A10A0	\$445.00
6	5NO-1NC	CR463M51**A10A0	\$489.00
6	6NO	CR463M60**A10A0	\$484.00
7	7NO	CR463M70**A10A0	\$528.00
8	7NO-1NC	CR463M71**A10A0	\$572.00
8	8NO	CR463M80**A10A0	\$567.00
9	9NO	CR463M90**A10A0	\$611.00
10	9NO-1NC	CR463M91**A10A0	\$655.00
10	10NO	CR463MB0**A10A0	\$650.00
11	11NO	CR463MC0**A10A0	\$694.00
12	12NO	CR463MD0**A10A0	\$733.00

Enclosed NEMA Type 1 Surface Mount (Oversize)¹

No. of Poles	Contact Configuration	Product Number	List Price GO-10MB
2	1NO-1NC	CR463M11**A10AA	\$333.00
2	2NO	CR463M20**A10AA	\$328.00
3	3NO	CR463M30**A10AA	\$372.00
4	3NO-1NC	CR463M31**A10AA	\$416.00
4	4NO	CR463M40**A10AA	\$411.00
5	5NO	CR463M50**A10AA	\$485.00
6	5NO-1NC	CR463M51**A10AA	\$529.00
6	6NO	CR463M60**A10AA	\$524.00
7	7NO	CR463M70**A10AA	\$568.00
8	7NO-1NC	CR463M71**A10AA	\$612.00
8	8NO	CR463M80**A10AA	\$607.00
9	9NO	CR463M90**A10AA	\$651.00
10	9NO-1NC	CR463M91**A10AA	\$695.00
10	10NO	CR463MB0**A10AA	\$690.00
11	11NO	CR463MC0**A10AA	\$734.00
12	12NO	CR463MD0**A10AA	\$773.00

¹Oversize enclosures required for field installed pilot devices, pilot lights and control power transformers.

Enclosed NEMA Type 1 Flush Mount

No. of Poles	Contact Configuration	Product Number	List Price GO-10MB
2	1NO-1NC	CR463M11**A80A0	\$355.00
2	2NO	CR463M20**A80A0	\$350.00
3	3NO	CR463M30**A80A0	\$394.00
4	3NO-1NC	CR463M31**A80A0	\$438.00
4	4NO	CR463M40**A80A0	\$433.00
5	5NO	CR463M50**A80A0	\$477.00
6	5NO-1NC	CR463M51**A80A0	\$421.00
6	6NO	CR463M60**A80A0	\$516.00
7	7NO	CR463M70**A80A0	\$560.00
8	7NO-1NC	CR463M71**A80A0	\$604.00
8	8NO	CR463M80**A80A0	\$599.00
9	9NO	CR463M90**A80A0	\$643.00
10	9NO-1NC	CR463M91**A80A0	\$687.00
10	10NO	CR463MB0**A80A0	\$682.00
11	11NO	CR463MC0**A80A0	\$726.00
12	12NO	CR463MD0**A80A0	\$765.00

Insert control circuit rating digits in place of the ** in digit 9 and 10 of product number.

Control Circuit Rating

Control	Control Module Input	Product No. Digits by Coil Voltage (60 Hz) ²		
		115-120 Vac	277 Vac	List Price Adder
2 Wire	110-120 Vac	CJ	—	\$0.00
	200-277 Vac	—	DN	\$0.00
3 Wire	110-120 Vac	NJ	—	\$10.00
	200-277 Vac	—	PN	\$10.00

²For 50 Hz coil ratings see coil table, page 3-6.



Lighting Contactors

CR463M

Mechanically Held Contactors

CR463M - 30A (2-12 pole)

Standard Assembled Forms

Section 3

Enclosed NEMA Type 12/3R

No. of Poles	Contact Configuration	Product Number	List Price GO-10MB
2	1NO-1NC	CR463M11**A20A0	\$385.00
2	2NO	CR463M20**A20A0	\$380.00
3	3NO	CR463M30**A20A0	\$424.00
4	3NO-1NC	CR463M31**A20A0	\$468.00
4	4NO	CR463M40**A20A0	\$463.00
5	5NO	CR463M50**A20A0	\$507.00
6	5NO-1NC	CR463M51**A20A0	\$551.00
6	6NO	CR463M60**A20A0	\$546.00
7	7NO	CR463M70**A20A0	\$590.00
8	7NO-1NC	CR463M71**A20A0	\$634.00
8	8NO	CR463M80**A20A0	\$629.00
9	9NO	CR463M90**A20A0	\$673.00
10	9NO-1NC	CR463M91**A20A0	\$717.00
10	10NO	CR463M0**A20A0	\$712.00
11	11NO	CR463M0**A20A0	\$756.00
12	12NO	CR463MD0**A20A0	\$795.00

Enclosed NEMA Type 4/4X

No. of Poles	Contact Configuration	Product Number	List Price GO-10MB
2	1NO-1NC	CR463M11**A40A0	\$479.00
2	2NO	CR463M20**A40A0	\$474.00
3	3NO	CR463M30**A40A0	\$518.00
4	3NO-1NC	CR463M31**A40A0	\$562.00
4	4NO	CR463M40**A40A0	\$557.00
5	5NO	CR463M50**A40A0	\$610.00
6	5NO-1NC	CR463M51**A40A0	\$645.00
6	6NO	CR463M60**A40A0	\$640.00
7	7NO	CR463M70**A40A0	\$484.00
8	7NO-1NC	CR463M71**A40A0	\$728.00
8	8NO	CR463M80**A40A0	\$723.00
9	9NO	CR463M90**A40A0	\$767.00
10	9NO-1NC	CR463M91**A40A0	\$811.00
10	10NO	CR463M0**A40A0	\$806.00
11	11NO	CR463M0**A40A0	\$850.00
12	12NO	CR463MD0**A40A0	\$889.00

Enclosed NEMA Type 12/3R (Oversize)¹

No. of Poles	Contact Configuration	Product Number	List Price GO-10MB
2	1NO-1NC	CR463M11**A20AA	\$425.00
2	2NO	CR463M20**A20AA	\$420.00
3	3NO	CR463M30**A20AA	\$464.00
4	3NO-1NC	CR463M31**A20AA	\$508.00
4	4NO	CR463M40**A20AA	\$503.00
5	5NO	CR463M50**A20AA	\$547.00
6	5NO-1NC	CR463M51**A20AA	\$591.00
6	6NO	CR463M60**A20AA	\$586.00
7	7NO	CR463M70**A20AA	\$630.00
8	7NO-1NC	CR463M71**A20AA	\$674.00
8	8NO	CR463M80**A20AA	\$669.00
9	9NO	CR463M90**A20AA	\$713.00
10	9NO-1NC	CR463M91**A20AA	\$757.00
10	10NO	CR463M0**A20AA	\$752.00
11	11NO	CR463M0**A20AA	\$796.00
12	12NO	CR463MD0**A20AA	\$835.00

¹Oversize enclosures required for field installed pilot devices, pilot lights and control power transformers.

Insert control circuit rating digits in place of the ** digit 9 and 10 of product number.

Control Circuit Rating

Control	Control Module Input	Product No. Digits by Coil Voltage (60 Hz) ²		List Price Adder
		115-120 Vac	277 Vac	
2 Wire	110-120 Vac	CJ	—	\$0.00
	200-277 Vac	—	DN	\$0.00
3 Wire	110-120 Vac	NJ	—	\$10.00
	200-277 Vac	—	PN	\$10.00

²For 50 Hz coil ratings see coil table, page 3-6.



Lighting Contactors

CR436M

Modified Assembled Forms – Mechanically Held

CR436M Mechanically Held Contactors

Follow the diagram and tables below to select the options and corresponding catalog number digits for your modified contactor. Total the prices for each selection to arrive at the total list price, GO-10MB.

CR436M

1	2	3	4	5	6	7	8	9
---	---	---	---	---	---	---	---	---

1	2	3	4	5	6	7	8	9
---	---	---	---	---	---	---	---	---

CR436M Base Price

NO Power Pole Contact Configuration

NC Power Pole Contact Configuration

Control Circuit

Control Circuit

Additional Auxiliary Contacts

Enclosures

Pilot Devices

Pilot Lights

Control Circuit Fuses/
Control Power Transformers

List Price, GO-10MB

	\$77.00
1	
2	
3	
4	
5	
6	
7	
8	
9	

1 & 2 Power Pole Contact Configuration

The number of NO contacts is digit 1 and the number of NC contacts is digit 2.

NO Contacts Digit 1	List Price Adder, GO-10MB								
	NC Contacts Digit 2								
	0	1	2	3	4	5	6	7	8
0	—	—	\$83.00	\$127.00	\$166.00	\$210.00	\$249.00	\$293.00	\$332.00
1	—	\$88.00	\$127.00	\$171.00	\$210.00	\$254.00	\$293.00	\$337.00	\$376.00
2	\$83.00	\$127.00	\$166.00	\$210.00	\$249.00	\$293.00	\$332.00	\$376.00	\$415.00
3	\$127.00	\$171.00	\$210.00	\$254.00	\$293.00	\$337.00	\$376.00	\$420.00	\$459.00
4	\$166.00	\$210.00	\$249.00	\$293.00	\$332.00	\$376.00	\$415.00	\$459.00	\$498.00
5	\$210.00	\$254.00	\$293.00	\$337.00	\$376.00	\$420.00	\$459.00	—	—
6	\$249.00	\$293.00	\$332.00	\$376.00	\$415.00	\$459.00	\$498.00	—	—
7	\$293.00	\$337.00	\$376.00	\$420.00	\$459.00	—	—	—	—
8	\$332.00	\$376.00	\$415.00	\$459.00	\$498.00	—	—	—	—
9	\$376.00	\$420.00	\$459.00	—	—	—	—	—	—
10 (B) ¹	\$415.00	\$459.00	\$498.00	—	—	—	—	—	—
11 (C) ¹	\$459.00	—	—	—	—	—	—	—	—
12 (D) ¹	\$498.00	—	—	—	—	—	—	—	—

¹For digit 1 with 10 NO contacts use B;
for 11 No contacts, use C; for 12 NO contacts, use D.

3 & 4 Control Circuit

If coil supply voltage is greater than 277V, use CPT.

Control	Control Module Input	Digits 1 & 2 by Coil Voltage (60 Hz) ²					List Price Adder, GO-10MB
		24 Vac	115-120 Vac	200-208 Vac	230-240 Vac	277 Vac	
2 Wire	24 Vac	BC	BJ	BL	BS	BN	\$0.00
	110-120 Vac	—	CJ	CL	CS	CN	\$0.00
	200-277 Vac	—	—	DL	DS	DN	\$0.00
3 Wire	12-28 Vdc	EC	EJ	EL	ES	EN	\$0.00
	24 Vac	MC	MJ	ML	MS	MN	\$10.00
	110-120 Vac	—	NJ	NL	NS	NN	\$10.00
	200-277 Vac	—	—	PL	PS	PN	\$10.00
	12-28 Vdc	RC	RJ	RL	RS	RN	\$10.00
	—	—	—	—	—	—	—

² For 50 Hz coil ratings see coil table, page 3-6.



5 Additional Auxiliary Contacts

Each side of the contactor base will accept one single- or double-pole auxiliary contact block, for a maximum of 2NO-2NC contacts. The 2-wire control module uses 1NC contact and the 3-wire uses 1NO-1NC for feedback and control. The table below indicates the additional auxiliary contacts available for customer or field use when factory-assembled forms are supplied. For open forms, this is the final digit.

Additional (field use) Aux. Contacts	Digit 5	Open Type	Available with				Open Type	Available with				List Price Adder, GO-10MB
			2-wire control (when Digit 3 = B, C, D, E)					3-wire control (when Digit 3 = M, N, P, R)				
			Enclosed (when Digit 7 below = 0, 2, 4, 5, 6, 7, 8)					Enclosed (when Digit 7 below = 1, 2, 3)				
No pilot lights Digit 8 = A	ON light thru NO contact Digit 8 = B, D	OFF light thru NC contact Digit 8 = C, E	ON light thru NO contact and OFF light thru NC contact Digit 8 = F, G	No pilot devices or pilot lights Digit 8 = A	ON light thru NO contact Digit 8 = B, D	OFF light thru NC contact Digit 8 = C, E	ON light thru NO contact and OFF light thru NC contact Digit 8 = F, G					
None	A	√	√	√	√	√	√	√	√	√	\$0.00	
1NO	B	√	√	√	√	√	√	—	√	—	\$10.00	
1NC	C	√	√	√	—	—	√	√	—	—	\$10.00	
1NO-1NC	D	√	√	√	—	—	√	√	—	—	\$20.00	
2NO	E	√	√	—	√	—	—	—	—	—	\$20.00	

6 Enclosures

Enclosure Type	Digit 6	List Price Adder, GO-10MB
Type 1 Surface for 2-4 pole contactors	1	\$18.00
Type 1 Surface for 5-12 pole contactors	1	\$48.00
Type 1 Flush	8	\$80.00
Type 12/3R	2	\$110.00
Type 4/4X	4	\$204.00

7 Pilot Devices

Heavy-duty, 30mm pilot devices. Oversize enclosure required for field installed Pilot Devices, Pilot Lights and Control Power Transformers. Not available in Type 1 flush enclosure.

Pilot Device	Control Module		Digit 7	List Price Adder, GO-10MB
	2-wire	3-wire		
None			0	\$0.00
ON/OFF Push Button (Momentary)		X	1	\$132.00
ON/OFF Selector Switch (Maintained)	X	X	2	\$132.00
ON-OFF Selector Switch, Spring Return to Center (Momentary)		X	3	\$132.00
H-O-A Selector Switch (Maintained)	X		4	\$132.00
ON-OFF-AUTO Keyed Selector Switch (Removal All Positions) (Maintained)	X		5	\$168.00
H-O-A Keyed Selector Switch (Removal All Positions) (Maintained)	X		6	\$168.00
OFF-AUTO Selector Switch (Maintained)	X		7	\$132.00
ON-OFF-AUTO Selector Switch (Maintained)	X		8	\$132.00

8 Pilot Lights

Heavy-duty 30mm pilot lights with interchangeable red and green lenses. See the Additional Auxiliary Contacts table above for contact limitations. OFF light includes extra auxiliary contact. Not available in Type 1 flush enclosure.

Type	Pilot Light(s) ³	Digit 8	List Price Adder, GO-10MB
—	None	A	\$0.00
Standard	ON	B	\$162.00
	OFF	C	\$162.00
	ON and OFF	F	\$324.00
Push-to-Test	ON	D	\$180.00
	OFF	E	\$180.00
	ON and OFF	G	\$360.00

³ Contactor supplied in oversize enclosure with these options. ON is through NO contact; OFF is through NC contact. Auxiliary contacts are included in pilot light digit and pricing.

9 Control Circuit Fuses/Control Power Transformers

CPT secondary voltage must match control voltage. Not available in Type 1 flush enclosure.

Contactor Type	Description	Digit 9	List Price Adder, GO-10MB
—	None	0	\$0.00
Without CPT	Control Circuit Fuses	1	\$165.00
	CPT Primary Volts	CPT Secondary Volts	
With 100VA CPT ⁴	208	120	B \$367.00
	220-240		C \$367.00
	277		D \$367.00
	440-480		E \$367.00
	600		F \$367.00
	120		L \$367.00
	208		M \$367.00
	220-240	24	N \$367.00
	277		P \$367.00
	440-480		R \$367.00
	600		S \$367.00

⁴ Oversize enclosure required for field installed pilot devices, pilot lights and control power transformers



Lighting Contactors

CR460, CR463

Technical Data

Main Power Poles Ratings

Maximum AC Voltage and Amp Ratings

Load Type	Amps Continuous	Poles	
		1 Phase	3 Phase
Ballast	30	347 Vac	600 Vac
Tungsten	20	277 Vac	480 Vac
General Use/AC Resistive	30	600 Vac	600 Vac

Maximum Horsepower Rating (Normal Starting Duty)

	1 Pole Single Phase			3 Poles, Three Phase		
	Volts	110-120V	220-240V	200-208V	220-240V	440-480V
HP	1	2	3	5	10	15

Short Circuit Current Ratings

For 463 Series Contactors Available Amps (RMS) Symmetrical

Circuit Breakers Inverse Trip Type	Breaker Size	Enclosure Type CR460X*B		Enclosure Type CR460X*D or Larger			
		TEY/ THHQB	All other inverse trip breakers	THHQB	TEY	SE	All other inverse trip breakers
240	30	22,000	14,000	22,000	65,000	100,000	22,000
	40	14,000	10,000	22,000	65,000	100,000	22,000
277	30	14000 ¹	10,000	N/A	14,000	30,000	14,000
	40	14000 ¹	5,000	N/A	14,000	30,000	14,000
480	40	N/A	5,000	N/A	N/A	30,000	14,000
	600	40	N/A	5,000	N/A	14,000	10,000

¹TEY only

Withstand Current Ratings

For 463 Series Contactors - Available Amps (RMS) Symmetrical Fuses

AC Service Voltage	Fuse Size	Enclosure Type CR460X*B		Enclosure Type CR460X*D or Larger		
		Fuse Type J	RK1	Fuse Type J/RK1/RK5	K	H
600 and below	30	100,000	50,000	100,000	50,000	10,000

Control Circuit Characteristics

Coil

Inrush	340 VA
Sealed	45 VA

Control Module

Input Voltage	Steady State Current @ Rated Voltage (mA)	Maximum VA
12-28 VDC	42	2
24 VAC	80	5
115-120 VAC	83	12
200-277 VAC	91	30

Minimum pulse duration (3-wire control module)	250 ms
Maximum allowable leakage current	1.8 mA
EMI	35 V/m
Surge transient peak	6 kV
Frequency range	40-70 Hz

Auxiliary Contacts Rating

A600, 10A, 600VAC

Wire Size Ratings

Component	Number of Cables	Wire Range (AWG) (Solid or Stranded)	Wire Temp.
Power Poles	1	#14-8	75°C Cu
Power Poles	2	#14-8 ²	75°C Cu
Coil	1 or 2	#18-14	60°/75°C Cu
Control Module	1 or 2	#22-12	60°/75°C Cu
Auxiliary Contacts	1 or 2	#22-12	60°/75°C Cu

²#8 AWG stranded only.

Standards and Listings

UL508 File, E1811 Vol 19, cUL, CE

Ambient Operating Temperature

-25° to 40°C

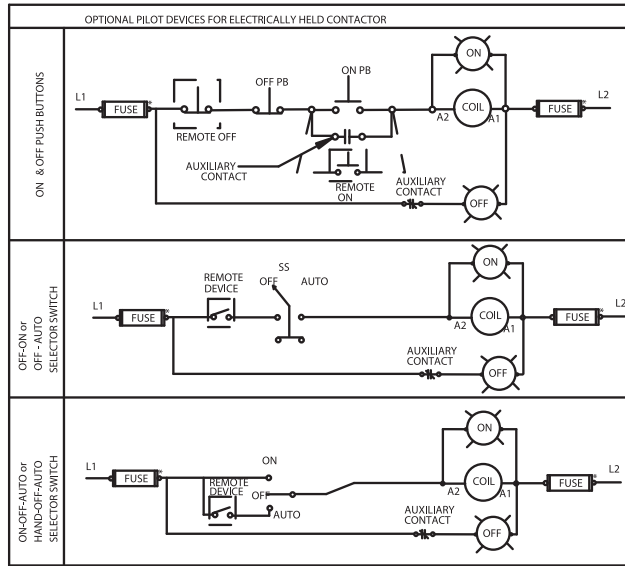
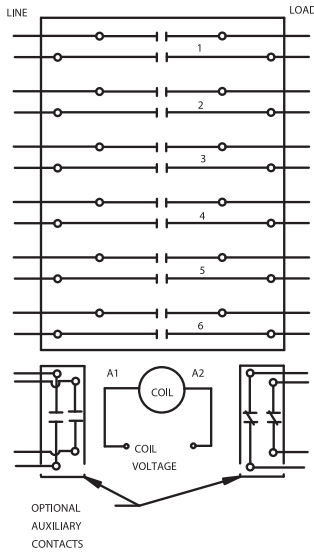
Reference Publications

Instructions	DEH-40460
--------------	-----------

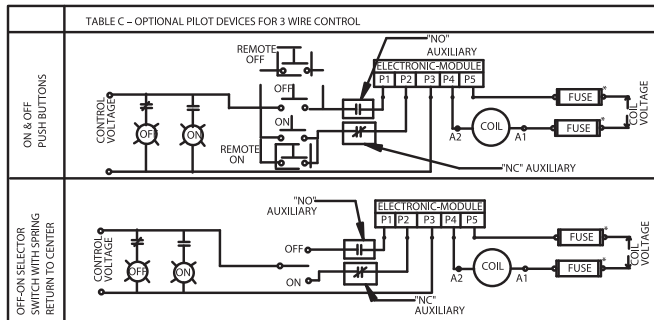
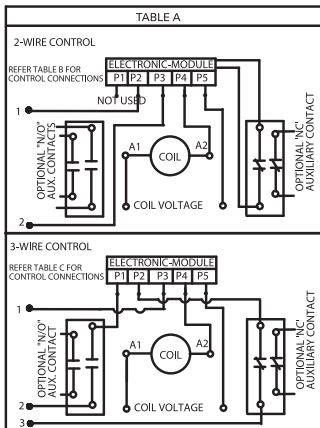
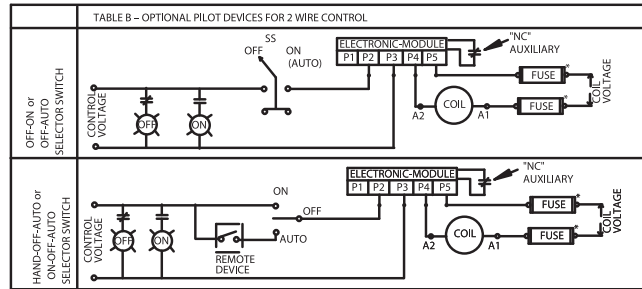
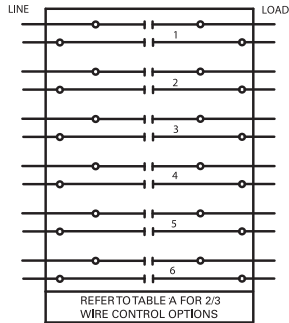
Wiring Diagrams

Wiring Diagrams and Outline Drawings	Reference Page
CR463L Electrically Held	3-18
CR463M Mechanically Held	3-18
55-217114P01	3-19
55-217069 (CR460XE1B)	3-20
55-217105 (CR460XE1D)	3-20
55-217108 (CR460XE8B)	3-20
55-217109 (CR460XE2B)	3-21
55-217106 (CR460XE2D)	3-21
55-217107 (CR460XE4D)	3-21





CR463L Electrically Held



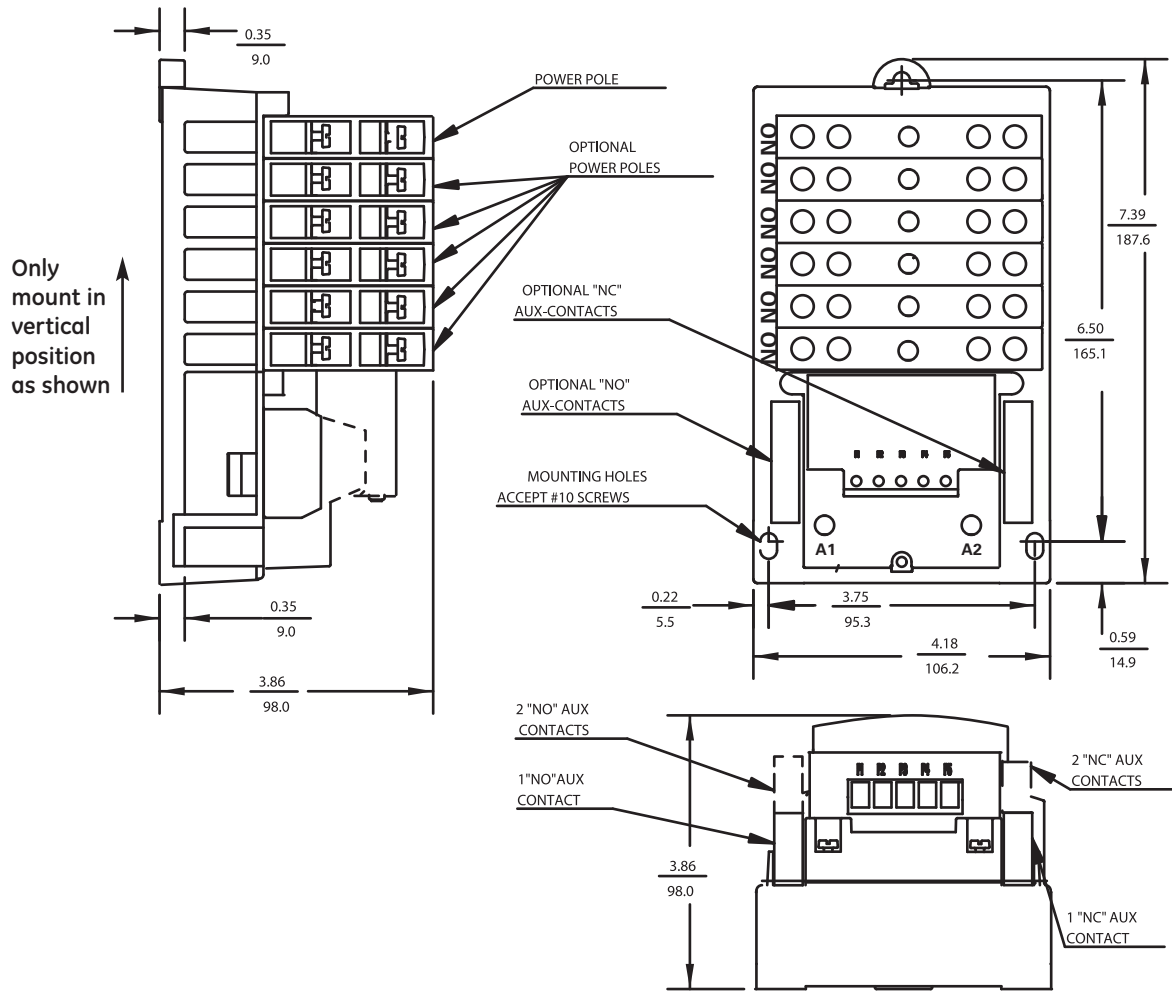
CR463M Mechanically Held



Lighting Contactors

CR463L, CR463M

Outlines and Dimensions ($\frac{\text{in}}{\text{mm}}$) For Estimating Only



Contactor CR463L and CR463M, Drawing #55-217114P01

Features:

- 1 Mounting Dimensions remain the same for 1 to 12 Poles
- 2 Line and Load terminals are interchangeable
- 3 Up to 2NO and 2NC auxiliary contacts can be added onto the base product
- 4 Same Power Pole can be configured as NO type or NC type in pole positions 1-4; NO type only in positions 5-6.

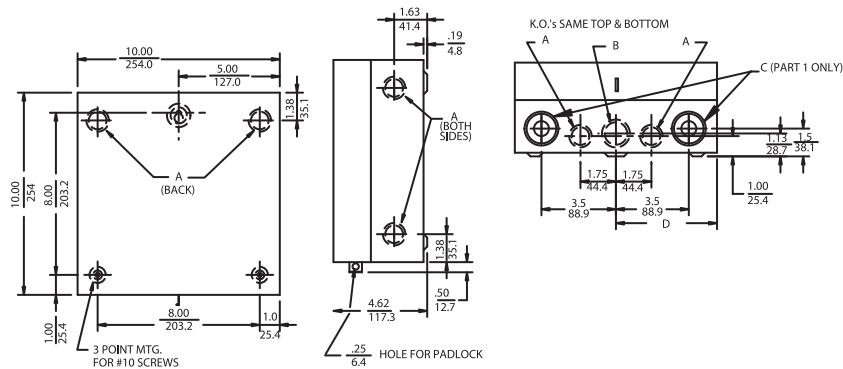


Lighting Contactors

CR463L, CR463M

Outlines and Dimensions (in/mm) For Estimating Only

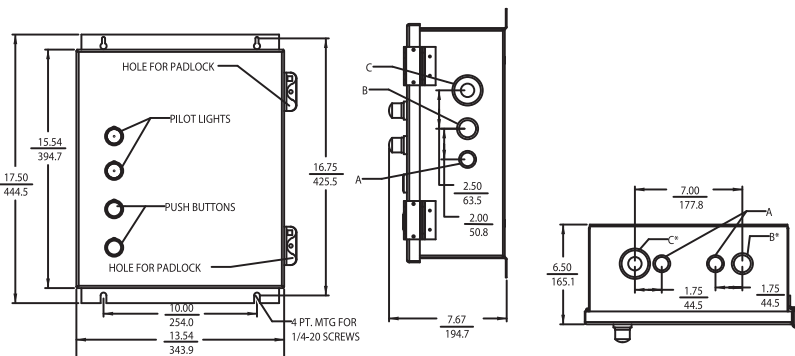
Section 3



NEMA Type 1 with no CPT, pilot devices or pilot lights, Drawing #55-217069 (CR460XE1B)

K.O.'s same top and bottom

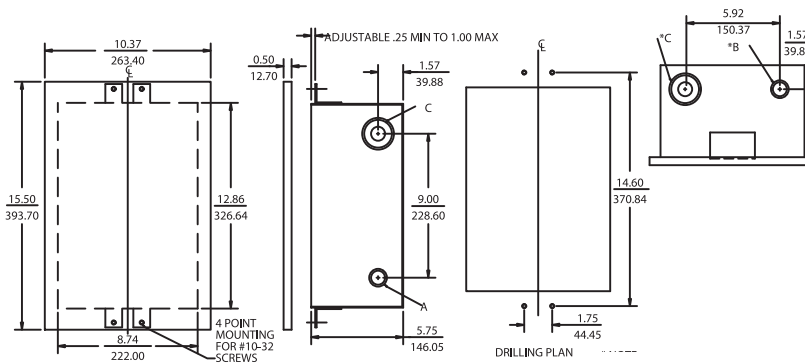
- A. Combination knockout for 1/2 or 3/4-inch conduit
- B. Combination knockout for 3/4 or 1-inch conduit
- C. Combination knockout for 1/2, 1-1/4 or 1-1/2-inch conduit



NEMA Type 1 oversized or with provision for CPT and/or pilot device/pilot lights, Drawing #55-217105 (CR460XE1D)

- A. Combination knockout for 1/2 or 3/4-inch conduit
- B. Combination knockout for 3/4 or 1-inch conduit
- C. Combination knockout for 1/2, 1-1/4 or 1-1/2-inch conduit

*Features: Knockouts reversed on bottom



NEMA Type 1 Flush Drawing #55-217108 (CR460XE8B)

- A. Combination knockout for 1/2 or 3/4-inch conduit
- B. Combination knockout for 3/4 or 1-inch conduit
- C. Combination knockout for 1/2, 1-1/4 or 1-1/2-inch conduit

*Features: Knockouts reversed on bottom

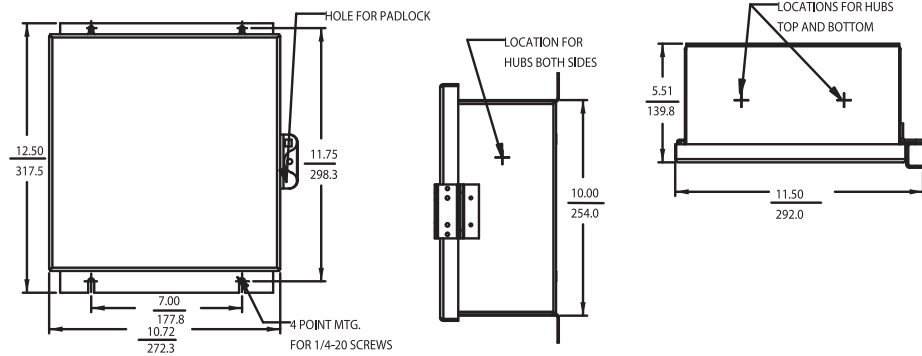


Lighting Contactors

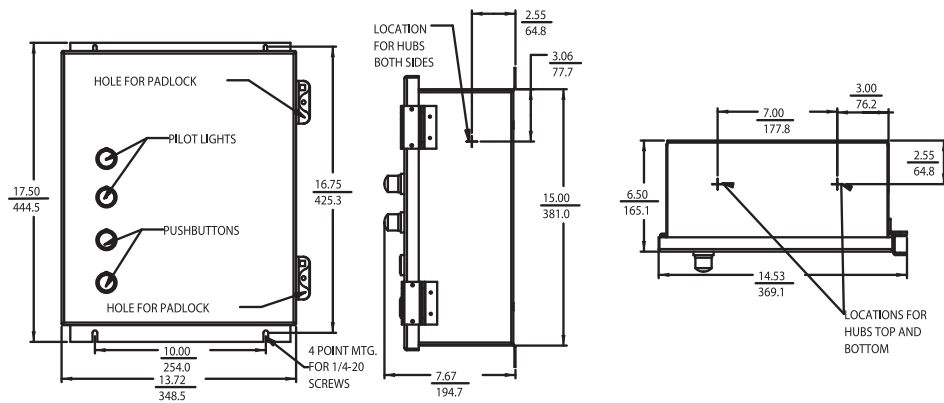
CR463L, CR463M

Outlines and Dimensions ($\frac{\text{in}}{\text{mm}}$) For Estimating Only

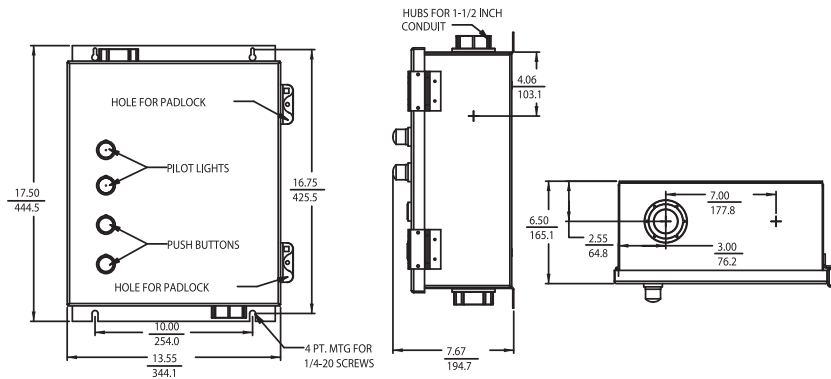
Section 3



NEMA Type 12/3R with no CPT, pilot device or pilot lights, Drawing #55-217109 (CR460XE2B)



NEMA Type 12/3R oversized with provision for CPT and/or pilot device/pilot lights, Drawing #55-217106 (CR460XE2D)



NEMA Type 4/4X oversized with provision for CPT and/or pilot devices/pilot lights, Drawing #55-217107 (CR460XE4D)



Lighting Contactors

CR360L

Electrically Held Contactors
 CR360L - 30A - 300A (2, 3 & 4 pole)

Application Information

GE's CR360L series lighting contactors are electrically held, and offer solutions for applications between 30 and 300 amps. This is accomplished in five frame sizes, all built on the successful, and long established NEMA starters. The ratings are established for fluorescent, mercury arc, tungsten and sodium lamp loads, covering a wide spectrum of industrial and commercial applications.

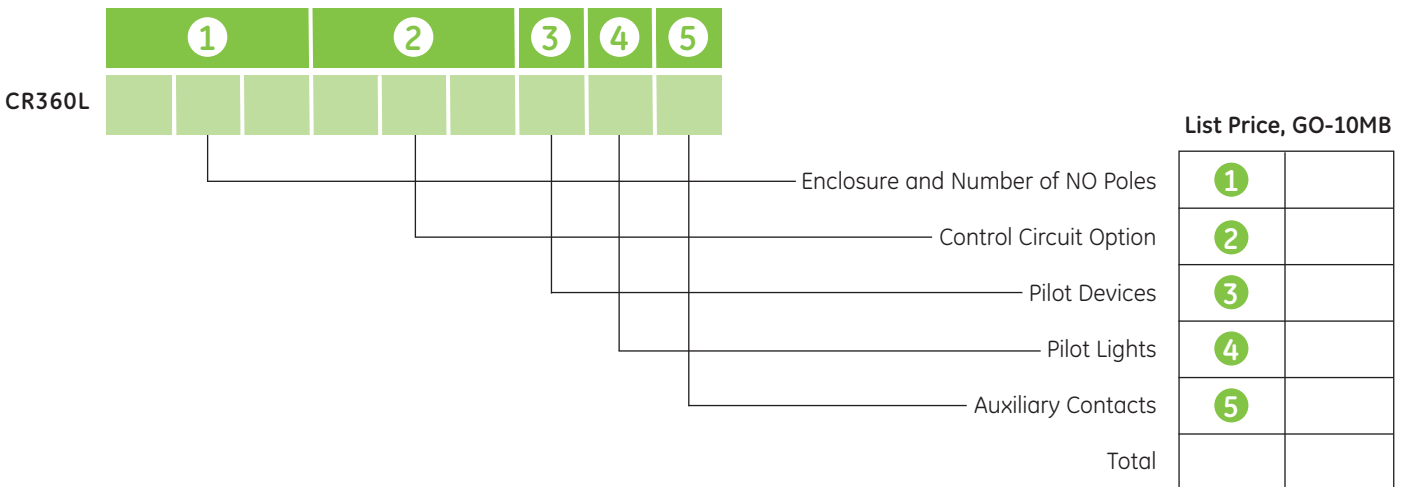
The CR360L contactors offer a wide range of features that include:

- NEMA Type 1, Type 12, Type 3R, and Type 4 stainless steel enclosures
- A full selection of pilot devices, including pushbuttons, selector switches, and multi-colored indicating lights wired in needed configurations
- Main contactors with 2, 3 and 4 power poles
- Generous offering of auxiliary contacts
- Complete list of renewal parts for field installation
- Stock or quick delivery on the majority of products
- UL listing and CSA certification
- Order by complete product number
- Coils will be connected line-to-line unless otherwise specified
- Complete product number must contain 15 digits

Section 3



Open 60-Amp Electrically Held Lighting Contactor



Lighting Contactors

CR360L

Electrically Held Contactors

CR360L - 30A - 300A (2, 3 & 4 pole)

Section 3

① Select Size, Number of Poles, and Enclosure

Open

Continuous Amp Rating	No. of Poles	Product Number	List Price GO-10MB
30A	2	CR360L302	\$186.00
30A	3	CR360L303	\$204.00
30A	4	CR360L304	\$252.00
60A	2	CR360L402	\$348.00
60A	3	CR360L403	\$372.00
60A	4	CR360L404	\$480.00
100A	2	CR360L502	\$552.00
100A	3	CR360L503	\$600.00
100A	4	CR360L504	\$768.00
200A	2	CR360L602	\$1332.00
200A	3	CR360L603	\$1440.00
200A	4	CR360L604	\$2004.00
300A	2	CR360L702	\$2886.00
300A	3	CR360L703	\$3138.00
300A	4	CR360L704	\$5766.00

Enclosed NEMA Type 1

Continuous Amp Rating	No. of Poles	Product Number	List Price GO-10MB
30A	2	CR360L312	\$198.00
30A	3	CR360L313	\$216.00
30A	4	CR360L314	\$264.00
60A	2	CR360L412	\$408.00
60A	3	CR360L413	\$432.00
60A	4	CR360L414	\$540.00
100A	2	CR360L512	\$672.00
100A	3	CR360L513	\$720.00
100A	4	CR360L514	\$888.00
200A	2	CR360L612	\$1584.00
200A	3	CR360L613	\$1692.00
200A	4	CR360L614	\$2256.00
300A	2	CR360L712	\$3348.00
300A	3	CR360L713	\$3600.00
300A	4	CR360L714	\$6690.00

Enclosed NEMA Type 12

Continuous Amp Rating	No. of Poles	Product Number	List Price GO-10MB
30A	2	CR360L322	\$288.00
30A	3	CR360L323	\$306.00
30A	4	CR360L324	\$354.00
60A	2	CR360L422	\$573.00
60A	3	CR360L423	\$597.00
60A	4	CR360L424	\$705.00
100A	2	CR360L522	\$867.00
100A	3	CR360L523	\$915.00
100A	4	CR360L524	\$1083.00
200A	2	CR360L622	\$2229.00
200A	3	CR360L623	\$2337.00
200A	4	CR360L624	\$2901.00
300A	2	CR360L722	\$4998.00
300A	3	CR360L723	\$5250.00
300A	4	CR360L724	\$8340.00

Enclosed NEMA Type 3R

Continuous Amp Rating	No. of Poles	Product Number	List Price GO-10MB
30A	2	CR360L362	\$288.00
30A	3	CR360L363	\$306.00
30A	4	CR360L364	\$354.00
60A	2	CR360L462	\$573.00
60A	3	CR360L463	\$597.00
60A	4	CR360L464	\$705.00
100A	2	CR360L562	\$867.00
100A	3	CR360L563	\$915.00
100A	4	CR360L564	\$1083.00
200A	2	CR360L662	\$2229.00
200A	3	CR360L663	\$2337.00
200A	4	CR360L664	\$2901.00
300A	2	CR360L762	\$4998.00
300A	3	CR360L763	\$5250.00
300A	4	CR360L764	\$8340.00

Enclosed NEMA Type 4, SS

Continuous Amp Rating	No. of Poles	Product Number	List Price GO-10MB
30A	2	CR360L342	\$468.00
30A	3	CR360L343	\$486.00
30A	4	CR360L344	\$534.00
60A	2	CR360L442	\$948.00
60A	3	CR360L443	\$972.00
60A	4	CR360L444	\$1080.00
100A	2	CR360L542	\$1437.00
100A	3	CR360L543	\$1485.00
100A	4	CR360L544	\$1653.00
200A	2	CR360L642	\$2889.00
200A	3	CR360L643	\$2997.00
200A	4	CR360L644	\$3561.00
300A	2	CR360L742	\$4998.00
300A	3	CR360L743	\$5250.00
300A	4	CR360L744	\$8340.00



Lighting Contactors CR360L

Section 3

Electrically Held Contactors

CR360L - 30A - 300A (2, 3 & 4 pole)

2 Select Coil Voltage and Control Circuit Type (Following available only with Enclosure)

Control Circuit Options	Continuous Ampere Rating											
	30A			60A			100A		200A		300A	
Coil Voltage	Product Number Digits	List Price Adder, GO-10MB	Product Number Digits	List Price Adder, GO-10MB	Product Number Digits	List Price Adder, GO-10MB	Product Number Digits	List Price Adder, GO-10MB	Product Number Digits	List Price Adder, GO-10MB	Product Number Digits	List Price Adder, GO-10MB
None	24	24A	—	24A	—	24A	—	24A	—	24A	—	—
	120	02A	—	02A	—	02A	—	02A	—	02A	—	—
	208 ¹	23A	—	23A	—	23A	—	23A	—	23A	—	—
	240 ¹	03A	—	03A	—	03A	—	03A	—	03A	—	—
	277 ¹	13A	—	13A	—	13A	—	13A	—	13A	—	—
	480 ¹	04A	—	04A	—	04A	—	04A	—	04A	—	—
2 Control Circuit Fuses	24	24D	\$165.00	24D	\$165.00	24D	\$165.00	24D	\$165.00	24D	\$165.00	\$165.00
	120	02D	\$165.00	2D	\$165.00	02D	\$165.00	02D	\$165.00	02D	\$165.00	\$165.00
	208	23D	\$165.00	23D	\$165.00	23D	\$165.00	23D	\$165.00	23D	\$165.00	\$165.00
	240	03D	\$165.00	03D	\$165.00	03D	\$165.00	03D	\$165.00	03D	\$165.00	\$165.00
	277	13D	\$165.00	13D	\$165.00	13D	\$165.00	13D	\$165.00	13D	\$165.00	\$165.00
	480	04D	\$165.00	04D	\$165.00	04D	\$165.00	04D	\$165.00	04D	\$165.00	\$165.00
CPT Primary Volts												
CPT w/120V secondary, includes 2 primary, 1 secondary fuse	208	82T	\$367.00	82T	\$440.00	62T	\$585.00	48T	\$675.00	40T	\$743.00	\$743.00
	240	03T	\$367.00	03T	\$440.00	03T	\$585.00	03T	\$675.00	03T	\$743.00	\$743.00
	277	61T	\$367.00	61T	\$440.00	61T	\$585.00	61T	\$675.00	61T	\$743.00	\$743.00
	480	04T	\$367.00	04T	\$440.00	04T	\$585.00	04T	\$675.00	04T	\$743.00	\$743.00

¹Control circuit fuses required for 200 and 300 amp forms if pilot devices selected in steps 3 or 4.

3 Select Push Buttons or Selector Switch

Push Button, Selector Switch Options	NEMA Type 1 Only Standard-Duty		Any Enclosure Heavy-Duty	
	Product No. Digit	List Price GO-10MB	Product No. Digit	List Price GO-10MB
None	A	\$0.00	A	\$0.00
On-Off Push Button	C ²	\$60.00	K	\$166.00
Hand-Off-Auto Selector Switch	D	\$60.00	L	\$165.00
Off-On Selector Switch	E	\$60.00	M	\$165.00
Hand-Off-Auto Selector Switch With Key	—	—	N	\$210.00
On-Off-Auto Selector Switch	F	\$60.00	P	\$165.00

²Add holding interlock with this modification

4 Select Indicating Lights

Light Option	NEMA Type 1 Only Standard-Duty		Any Enclosure Heavy-Duty	
	Product No. Digit	List Price GO-10MB	Product No. Digit	List Price GO-10MB
None	A	\$0.00	A	\$0.00
Red Across Coil	B	\$112.00	J	\$202.00
Green Across Coil	—	—	K	\$202.00

5 Select Auxiliary Contacts

	Product Number Digit	List Price GO-10MB
None	Z	—
Holding Interlock	A	\$82.00
Holding Interlock Plus 1 NO	B	\$164.00
Holding Interlock Plus 1 NC	C	\$164.00
Holding Interlock Plus 1 NO, 1 NC	D	\$246.00
Holding Interlock Plus 2 NO	E	\$246.00
Holding Interlock Plus 2 NC	F	\$246.00
Holding Interlock Plus 2 NO, 1 NC	G	\$328.00



Lighting Contactors

CR360L

Electrically Held Contactors

CR360L - 30A - 300A (2, 3 & 4 pole)

Technical Data

For your convenience, examples of possible wiring schemes are provided on this page. Please review the ratings tables below and use the quick step-by-step selection guide provided, to choose the exact product required for your application.

Ratings

Open or enclosed ratings are 30-, 60-, 100-, 200-, and 300-ampere, ac full-load current.

Maximum AC Voltage Rating

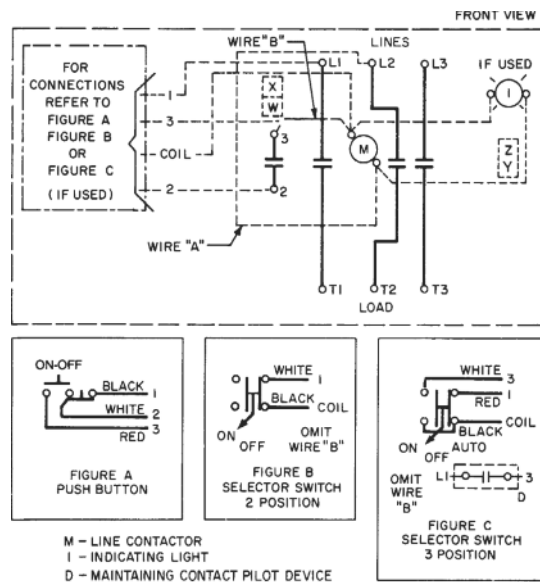
Lighting Load	Line	Load
Tungsten	480	480
Ballast: Fluorescent, Mercury, Sodium, e.g.	600	600

DC Tungsten Rating

Contactor Size, Continuous Ampere Rating	No. Poles in Series for:	
	125 V Maximum	250 V Maximum
30	2	3
60	2	4
100-300	2	2

Reference Publications

Instructions	CR360L Contactors
Continuous Ampere Rating	
30	GEH-5099
60	GEH-5100
100	GEH-5101
200	GEH-5102
300	GEH-5103



Typical Schematic Diagram for CR360L Lighting Contactor



Lighting Contactors

CR360L

Electrically Held Contactors
 Outlines, Dimensions in.(mm) and Weights (For Estimating Only)

Section 3

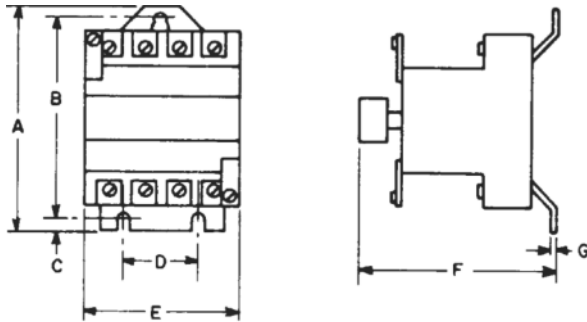


Fig. 1, Open CR360L 30- to 300-Ampere
 2- and 3-Pole Forms

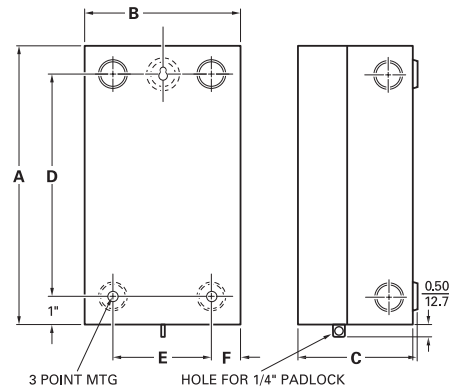


Fig. 2, Enclosed CR360L Type 1,30-100A
 w/ Standard Pilot Devices

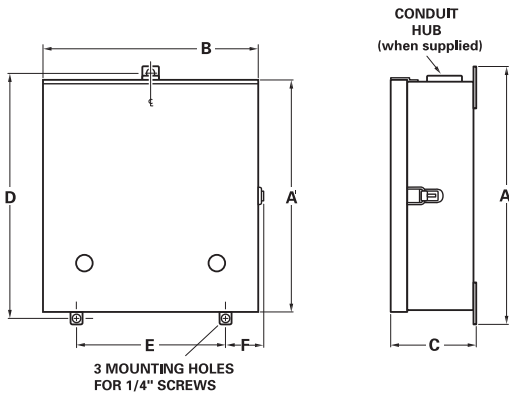


Fig. 3, Enclosed CR360L Type 12,
 3R, 4/4X 3-Point Mounting

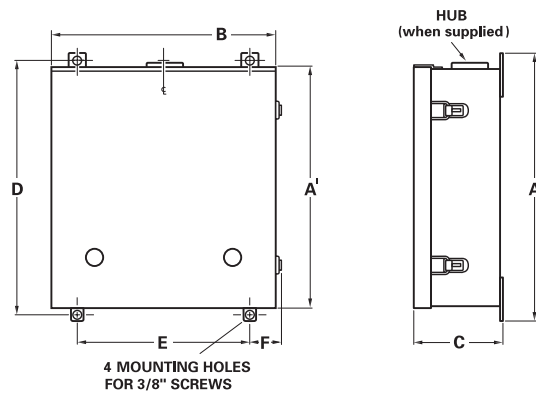


Fig. 4, Enclosed CR360L Type 1, 12, 3R,
 4/4X 4-Point Mounting

Open CR360L - 30A - 300A (2, 3 & 4 pole)

Product Number	Figure No.	Dimension in.(mm)							Approx. Shipping Wt. (Lbs)
		A	B	C	D	E	F	G	
CR360L302	1	4.50 (114.3)	4.00 (101.6)	0.25 (6.4)	1.50 (38.1)	3.06 (77.7)	3.81 (96.7)	0.06 (1.5)	2.8
CR360L402	1	6.63 (168.4)	6.00 (152.4)	0.31 (7.8)	2.00 (50.8)	3.75 (95.2)	5.38 (136.6)	0.09 (2.2)	7
CR360L502	1	8.75 (222.2)	7.75 (196.8)	0.63 (16.0)	4.50 (114.3)	5.75 (146.0)	6.50 (165.1)	—	17.5
CR360L602	1	12.00 (304.8)	10.88 (276.4)	0.63 (16.0)	3.00 (76.2)	11.50 (292.1)	9.00 (228.6)	0.12 (3.0)	48
CR360L702	1	12.00 (304.8)	10.88 (276.4)	0.63 (16.0)	3.00 (76.2)	11.50 (292.1)	9.00 (228.6)	0.12 (3.0)	50



Lighting Contactors

CR360L

Electrically Held Contactors
Outlines, Dimensions in.(mm) and Weights (For Estimating Only)

Enclosed CR360L NEMA Type 1

Device	Fig. No.	Hub Size	Dimension in.(mm)						Approx. Shipping Wt. (Lbs.)	
			A	A'	B	C	D	E		F
(30 A) w/o CPT	2	—	10 (254)	—	6 (152.4)	4.63 (117.6)	8 (203.2)	4 (101.6)	1 (25.4)	6
(30 A) w/ CPT	2	—	10 (254)	—	10 (254)	4.63 (117.6)	8 (203.2)	8 (203.2)	1 (25.4)	10
(30 A) w/ Heavy Duty Pilot Devices	4	—	17.4 (442)	14.75 (374.7)	13 (330.2)	5.14 (130.6)	16.4 (416.6)	8 (203.2)	3.25 (82.6)	18
(60 A) w/o CPT, 2- to 3-Pole	2	—	13.25 (336.6)	—	7.38 (187.5)	6.13 (155.7)	11 (279.4)	5 (127)	1.19 (30.2)	13
(60 A) w/ CPT	2	—	13.25 (336.6)	—	12 (304.8)	6.13 (155.7)	11 (279.4)	9 (228.6)	1.5 (38.1)	18
(60 A) w/ Heavy Duty Pilot Devices	4	—	19.4 (492.8)	16.68 (423.7)	15 (381)	6.62 (168.1)	18.4 (467.4)	10 (254)	3.25 (82.6)	27
(100 A) w/o CPT, 2- to 3-Pole	2	—	20.25 (514.4)	—	8.75 (222.3)	7.31 (185.7)	17 (431.8)	5.75 (146.1)	1.5 (38.1)	35
(100 A) All other	2	—	24.2 (614.7)	21.62 (549.1)	18 (457.2)	8.4 (213.4)	23.2 (589.3)	13 (330.2)	3.25 (82.6)	50
(200 A) w/o CPT, 2- to 3-Pole	4	—	45.5 (1155.7)	42.75 (1085.9)	17 (431.8)	10.75 (273.1)	44.5 (1130.3)	12 (304.8)	2.5 (63.5)	38
(200 A) All other	4	—	45.5 (1155.7)	42.75 (1085.9)	23 (584.2)	10.75 (273.1)	44.5 (1130.3)	18 (457.2)	2.5 (63.5)	55
(300 A) w/o CPT, 2- to 3-Pole	4	—	45.5 (1155.7)	42.75 (1085.9)	17 (431.8)	10.75 (273.1)	44.5 (1130.3)	12 (304.8)	2.5 (63.5)	130
(300 A) All other	4	—	45.5 (1155.7)	42.75 (1085.9)	23 (584.2)	10.75 (273.1)	44.5 (1130.3)	18 (457.2)	2.5 (63.5)	140

Enclosed CR360L NEMA Type 12

Device	Fig. No.	Hub Size	Dimension in.(mm)						Approx. Shipping Wt. (Lbs.)	
			A	A'	B	C	D	E		F
(30 A) w/o CPT	3	—	15.62 (396.7)	14.25 (362)	6.28 (159.5)	5.5 (139.7)	15 (381)	3 (76.2)	2.26 (57.4)	16
(30 A) All other	3	—	15.62 (396.7)	14.25 (362)	14.25 (362)	5.5 (139.7)	15 (381)	11 (279.4)	2.26 (57.4)	20
(60 A) w/o CPT, 2- to 3-Pole	3	—	17.62 (447.5)	16.25 (412.8)	7.63 (193.8)	6.25 (158.8)	17 (431.8)	4.38 (111.3)	2.26 (57.4)	29
(60 A) All other	3	—	17.62 (447.5)	16.25 (412.8)	12.25 (311.2)	6.25 (158.8)	17 (431.8)	9 (228.6)	2.26 (57.4)	38
(100 A) w/o CPT, 2- to 3-Pole	4	—	30 (762)	27.25 (692.2)	10.5 (266.7)	7.25 (184.2)	29 (736.6)	5.75 (146.1)	3.25 (82.6)	40
(100 A) All other	4	—	24 (609.6)	21.38 (543.1)	18 (457.2)	7.88 (200.2)	23 (584.2)	13 (330.2)	3.25 (82.6)	55
(200 A) w/o CPT, 2- to 3-Pole	4	—	45.5 (1155.7)	42.75 (1085.9)	17 (431.8)	10.25 (260.4)	44.5 (1130.3)	12 (304.8)	3.25 (82.6)	44
(200 A) All other	4	—	45.5 (1155.7)	42.75 (1085.9)	23 (584.2)	10.25 (260.4)	44.5 (1130.3)	18 (457.2)	3.25 (82.6)	60
(300 A) w/o CPT, 2- to 3-Pole	4	—	45.5 (1155.7)	42.75 (1085.9)	17 (431.8)	10.25 (260.4)	44.5 (1130.3)	12 (304.8)	3.25 (82.6)	140
(300 A) All other	4	—	45.5 (1155.7)	42.75 (1085.9)	23 (584.2)	10.25 (260.4)	44.5 (1130.3)	18 (457.2)	3.25 (82.6)	150

Enclosed CR360L NEMA Type 3R

Device	Fig. No.	Hub Size	Dimension in.(mm)						Approx. Shipping Wt. (Lbs.)	
			A	A'	B	C	D	E		F
(30 A) w/o CPT	3	1"	15.62 (396.7)	14.5 (368.3)	6.88 (174.8)	5.5 (139.7)	15 (381)	3 (76.2)	2.31 (58.7)	16
(30 A) All other	3	1"	15.62 (396.7)	14.5 (368.3)	10.38 (263.7)	5.5 (139.7)	15 (381)	7 (177.8)	2.31 (58.7)	20
(60 A) w/o CPT	3	1.5"	17.62 (447.5)	16.5 (419.1)	7.84 (199.1)	6.5 (165.1)	17 (431.8)	4.38 (111.3)	2.32 (58.9)	29
(60 A) All other	3	1.5"	17.62 (447.5)	16.5 (419.1)	12.5 (317.5)	6.5 (165.1)	17 (431.8)	8 (203.2)	2.88 (73.2)	38
(100 A) All	4	2"	24.5 (622.3)	22 (558.8)	17.2 (436.9)	7.25 (184.2)	23.5 (596.9)	11 (279.4)	3.62 (91.9)	55
(200 A) All	4	3"	44.5 (1130.3)	41.5 (1054.1)	22 (558.8)	10.25 (260.4)	43.5 (1104.9)	16 (406.4)	3.62 (91.9)	60
(300 A) All	4	3"	44.5 (1130.3)	42 (1066.8)	22 (558.8)	10.25 (260.4)	43.5 (1104.9)	16 (406.4)	3.62 (91.9)	150

Enclosed CR360L NEMA Type 4/4X

Device	Fig. No.	Hub Size	Dimension in.(mm)						Approx. Shipping Wt. (Lbs.)	
			A	A'	B	C	D	E		F
(30 A) w/o CPT	3	1"	15.62 (396.7)	14.5 (368.3)	6.38 (162.1)	5.5 (139.7)	15 (381)	3 (76.2)	1.69 (42.9)	16
(30 A) All other	3	1"	15.52 (394.2)	14.5 (368.3)	10.38 (263.7)	5.5 (139.7)	15 (381)	7 (177.8)	1.69 (42.9)	20
(60 A) w/o CPT	3	1.5"	17.62 (447.5)	16.5 (419.1)	7.75 (196.9)	6.5 (165.1)	17 (431.8)	4.38 (111.3)	1.69 (42.9)	29
(60 A) All other	3	1.5"	17.62 (447.5)	16.5 (419.1)	12.5 (317.5)	6.25 (158.8)	17 (431.8)	8 (203.2)	2.25 (57.2)	38
(100 A) All	4	2"	24.5 (622.3)	22 (558.8)	17 (431.8)	7.25 (184.2)	23.5 (596.9)	11 (279.4)	3 (76.2)	55
(200 A) All	4	3.5"	44.5 (1130.3)	41.5 (1054.1)	22 (558.8)	10.25 (260.4)	43.5 (1104.9)	16 (406.4)	3 (76.2)	60
(300 A) All	4	3.5"	44.5 (1130.3)	41.5 (1054.1)	22 (558.8)	10.25 (260.4)	43.5 (1104.9)	16 (406.4)	3 (76.2)	150



Lighting Contactors

CR360ML

Mechanically Held Contactors
CR360ML - 400A - 1000A (2 & 3 pole)

Section 3

Description

GE Mechanically Held RC Switches Adapt to Your Application and Your Imagination

In commercial or industrial environments where you need to control power, heating and lighting loads from across the floor, across the plant, or across the world, the CR360ML RC switches from GE are a great solution. These electromagnetically operated, mechanically held switches, unlike other devices, will not open or close if the power fails.

By allowing convenient and automatic control of lighting circuits through wall stations, timers, photocells, or energy management control systems, GE RC switches provide savings in energy costs by being the most economical and reliable switching means in any power distribution system. Because the operator is energized only during the instant the switch changes position, there is no ac hum or chatter. Furthermore, because constant power is not required, an even greater energy savings can be realized along with lower operating costs. These units are ideally suited for energy management applications because they are able to handle all classes of loads up to 1000 amps.

Circuit breakers were designed for overload protection, not for repetitively turning blocks of lighting on and off on a daily basis. GE RC switches provide the most reliable, convenient, and economical means to control lighting, leaving the circuit breakers for the purpose of overload protection.

GE RC switches work effectively in a broad range of applications including tungsten, ballast lighting, motor, general use, and total system loads.

Application Information

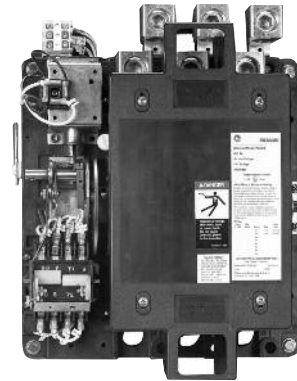
Tungsten loads are made up entirely of tungsten filament lamps, where the inrush current may be as high as 20 times the steady state current and have a duration of up to 14 cycles.

Ballast lighting (electric discharge lamp) loads are made up entirely of electric discharge lamps such as fluorescent or mercury vapor lamps. Depending on the type of ballast used, the power factor can range from 0.4 to 0.9 or better.

Motor loads are made up entirely of motors capable of drawing locked rotor current of six times normal running current at 0.4 to 0.5 power factor.

General use loads are made up of heaters, incandescent lamps, and other resistive loads, in addition to small reactive loads such as office machinery where the power factor can range from 0.7 to 0.8.

Total system loads are made up from all of the above. The sum of the motor full load current and the current of the other loads shall not exceed the amp rating of the switch, and the tungsten load shall not exceed 30% of the switch rating unless the switch has been found to be suitable for a higher tungsten load. GE RC switches are rated for 100% tungsten load in ratings through 400 amps.



CR360ML RC Switch

The GE CR360ML RC switch reduces wear on the overcurrent protective devices, provides more flexibility, and increases system reliability. It can be used for remotely controlled feeder disconnect applications such as energy management and bulk load control.

- These units are suitable for heating, ballast lighting, or motor loads to 480 Vac, in either open or enclosed forms.
- They will also handle 100% tungsten loads rated at 250 Vac up to 400 amps, and 30% tungsten loads at 600 amps and up.
- Units are UL listed and (WCR) Withstand Current Rated.
- Not only is the interrupting capacity 600% of the rated current at 480 Vac at a 0.4 to 0.5 power factor, but their thermal capacity is 20 times the full load rating.
- With contacts that are power-driven and locked into place by a reliable single-solenoid operator, the GE CR360ML has no continuous control power consumption, and its rugged construction allows it to be mounted in any position with its flush dead back.
- There are no extra wires or contacts needed to install signal lamps at single or multiple control stations.



Lighting Contactors

CR360ML

Mechanically Held Contactors
 CR360ML - 400A - 1000A (2 & 3 pole)
 Pricing Schedule for Options 1, 2, 3

Product Number Selection Instructions

Selection and Pricing—Assembled Forms

Here is an easy, step-by-step way to select and order assembled forms of GE CR360ML switches. In each step, find the options—amperes, enclosures, voltages, etc., that you need. Transfer the product number digits to the corresponding boxes in the product number line and the price to the appropriate boxes in the price column.

	1	2	3	4	5	6	7	
CR360ML								

		CR360ML Base Price	\$77.00
	1	Ampere Ratings	\$0.00
	2	Enclosure Type	\$0.00
	3	Number of Poles	
	4	Coil Voltage	\$0.00
	5	Auxiliary & Neutral	
	6	Auxiliary Relays	
	7	Contactors Voltage	
		Total	



Lighting Contactors

CR360ML

Mechanically Held Contactors
CR360ML - 400A - 1000A (2 & 3 pole)

Section 3

1 Select Current Rating

Select the current rating for the RC switch from the table below.

Current Rating	Product Number Digit
400 Amperes	4
600 Amperes	6
800 Amperes	8
1000 Amperes	1

2 Select Enclosure

Select the type of enclosure, if any, for the RC switch from the table below.

Enclosure	Product Number Digit
Open (No Enclosure)	0
NEMA Type 1	1
NEMA Type 12	2
NEMA Type 3R	6

3 Select Number of Poles

Select either a 2-pole or 3-pole configuration from the table below.

Number of Poles	Product Number Digit
2 Poles	2
3 Poles	3

4 Select Contactor Coil Voltage Rating

Select the voltage rating of the RC switch from the table below.

Voltage Rating (Coil)	Product Number Digit
110 to 120 Volts AC	3 ¹
208 to 240 Volts AC	6
265 to 277 Volts AC	7
440 to 480 Volts AC	9

¹Only available on CR360L4 Series

5 Optional

Select the desired configuration of the RC switch from the table below. If none of these options are selected, fill in only digits 1 through 4.

Auxiliary/Neutral Options	Product Number Digit	List Price Adder, GO-10MB
No Auxiliary Contact or Neutral Plate	A	\$0.00
Auxiliary Contacts: Closed—Main Contacts: Closed (1A)	B	\$75.00
Auxiliary Contacts: Closed—Main Contacts: Open (1B)	C	\$75.00
Fully Rated Neutral Plate	D	\$225.00
Auxiliary Contacts (1A) with Neutral	E	\$295.00
Auxiliary Contacts (1B) with Neutral	F	\$295.00

6 Select Auxiliary Relays

Select the auxiliary relay configuration needed for the RC switch from the table below.

Auxiliary Relays	Product Number Digit	List Price Adder, GO-10MB
No Option—Standard	1	\$0.00
Auxiliary Control Relay—2-Wire	2	\$625.00
Auxiliary Control Relay—3-Wire	3	\$1075.00
Auxiliary Control Relay—Form 3 Control	4	\$125.00

7 Select Contactor Coil Control Voltage

Select the control voltage for driving the contactor coil through an interposing relay.

Control Voltage (Relay)	Product Number Digit	List Price Adder, GO-10MB
No Option	A	\$0.00
24 Volts AC	B	\$0.00
120 Volts AC	C	\$0.00
208 Volts AC	D	\$100.00
240 Volts AC	E	\$100.00
277 Volts AC	F	\$100.00
24 Volts DC	G	\$0.00
110 Volts DC	H	\$0.00

Open

Continuous Amp Rating	No. of Poles	Product Number	List Price GO-10MB
400A	2	CR360ML402	\$6850.00
600A	2	CR360ML602	\$8800.00
800A	2	CR360ML802	\$10750.00
1000A	2	CR360ML102	\$19950.00
400A	3	CR360ML403	\$8025.00
600A	3	CR360ML603	\$10125.00
800A	3	CR360ML803	\$12225.00
1000A	3	CR360ML103	\$22975.00

Enclosed NEMA Type 1

Continuous Amp Rating	No. of Poles	Product Number	List Price GO-10MB
400A	2	CR360ML412	\$8750.00
600A	2	CR360ML612	\$10750.00
800A	2	CR360ML812	\$12750.00
1000A	2	CR360ML112	\$27750.00
400A	3	CR360ML413	\$9925.00
600A	3	CR360ML613	\$12075.00
800A	3	CR360ML813	\$14275.00
1000A	3	CR360ML113	\$31025.00

Enclosed NEMA Type 12

Continuous Amp Rating	No. of Poles	Product Number	List Price GO-10MB
400A	2	CR360ML422	\$10350.00
600A	2	CR360ML622	\$12350.00
800A	2	CR360ML822	\$14250.00
1000A	2	CR360ML122	\$29950.00
400A	3	CR360ML423	\$11525.00
600A	3	CR360ML623	\$13725.00
800A	3	CR360ML823	\$15875.00
1000A	3	CR360ML123	\$33425.00

Enclosed NEMA Type 3R

Continuous Amp Rating	No. of Poles	Product Number	List Price GO-10MB
400A	2	CR360ML462	\$10350.00
600A	2	CR360ML662	\$12350.00
800A	2	CR360ML862	\$14250.00
1000A	2	CR360ML162	\$29950.00
400A	3	CR360ML463	\$11525.00
600A	3	CR360ML663	\$13725.00
800A	3	CR360ML863	\$15875.00
1000A	3	CR360ML163	\$33425.00



Lighting Contactors

CR160MC

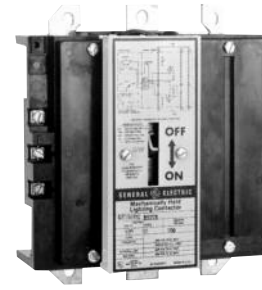
Mechanically Held Contactors

CR160MC shallow mount 30A - 225A (2 & 3 pole)

Application Information

The CR160MC mechanically held lighting contactors are designed for control of lighting loads such as tungsten, fluorescent, mercury, and sodium, as well as for general noninductive loads. The shallow-type design makes these contactors particularly adaptable for wall-cavity mounting applications.

The silver cadmium oxide main contacts and silver tungsten arcing contacts give the devices capability of handling a wide variety of lighting loads. Built-in clearing interlocks allow control from either momentary or maintained pilot devices.



CR160MC Lighting Contactor for Bus Mounting

Features

- Can be mounted in enclosures that fit six-inch thick walls.
- Device is listed by Underwriters Laboratories, Inc.
- Front connected—for convenient wiring.
- Manually operated—by screwdriver or similar tool which reduces chances of tampering.
- Direct bus-mounted forms—for space savings, reduced mounting and wiring costs.
- Withstand current rating—22,000 amperes rms symmetrical at 480 Volts ac maximum and when used with molded case circuit breaker.



Lighting Contactors

Section 3

CR160MC

Modified Assembled Forms — Mechanically Held

Product Number Selection Instructions

Order by complete product number.

CR160MC Mechanically Held Contactors

Follow the diagram and tables below to select the options and corresponding product number digits for your modified contactor. Total the prices for each selection to arrive at the total list price, GO-10MB.

CR160MC

1	2	3	4	5	6	7	8	9	10

CR160MC Base Price

Ampere Ratings

Enclosure Type

Coil & Control Voltage^{1,2}

Coil & Control Voltage^{1,2}

Poles & Neutral^{2,3}

Factory Wired Option

Control Circuit

Pilot Devices

Pilot Lights

Auxiliary Contacts²

Total

List Price, GO-10MB

	\$77.00
1	
2	
3	
4	
5	
6	
7	
8	
9	
10	

¹Separate control voltages may be ordered.

²When no auxiliary contacts are needed with an Open Bus Mounting and Open Sub-Panel device, the 12 digit product number must be ordered. If auxiliary contacts are required, digits 13 through 16 must be "ACAA" and digit 17 should reflect the needed contacts.

³Replace digits 2 or A for 2 or 3 poles with correct digit if a neutral terminal board is required. Neutral terminal board is not available with flush mount or sub panel with baseplate controllers.



Lighting Contactors

CR160MC

Mechanically Held Contactors

CR160MC shallow mount 30A - 225A (2 & 3 pole)

1 2 & 5a Select Ampere Rating, Enclosure Type and Number of Poles

Continuous Amp Rating	Enclosure Type	No. of Poles	Product Number ^{1,2}	List Price GO-10MB
30A	Enclosed NEMA Type 1	2	CR160MC32**A	\$1195.00
30A	Enclosed NEMA Type 1	3	CR160MC32**A	\$1320.00
30A	Enclosed NEMA Type 1 Flush Mount	2	CR160MC3G**A	\$1582.00
30A	Enclosed NEMA Type 1 Flush Mount	3	CR160MC3G**A	\$1707.00
30A	Enclosed NEMA Type 12 / 3R	2	CR160MC3E**A	\$1872.00
30A	Enclosed NEMA Type 12 / 3R	3	CR160MC3E**A	\$1997.00
30A	Enclosed NEMA Type 4/4X	2	CR160MC3F**A	\$2568.00
30A	Enclosed NEMA Type 4/4X	3	CR160MC3F**A	\$2693.00
30A	Open Bus Mounting	2	CR160MC35**A	\$832.00
30A	Open Bus Mounting	3	CR160MC35**A	\$944.00
30A	Open Sub Panel	2	CR160MC31**A	\$985.00
30A	Open Sub Panel	3	CR160MC31**A	\$1110.00
30A	Sub Panel w/ Baseplate	2	CR160MC3H**A	\$1100.00
30A	Sub Panel w/ Baseplate	3	CR160MC3H**A	\$1200.00
60A	Enclosed NEMA Type 1	2	CR160MC42**A	\$1253.00
60A	Enclosed NEMA Type 1	3	CR160MC42**A	\$1406.00
60A	Enclosed NEMA Type 1 Flush Mount	2	CR160MC4G**A	\$1640.00
60A	Enclosed NEMA Type 1 Flush Mount	3	CR160MC4G**A	\$1793.00
60A	Enclosed NEMA Type 12 / 3R	2	CR160MC4E**A	\$1994.00
60A	Enclosed NEMA Type 12 / 3R	3	CR160MC4E**A	\$2147.00
60A	Enclosed NEMA Type 4/4X	2	CR160MC4F**A	\$2678.00
60A	Enclosed NEMA Type 4/4X	3	CR160MC4F**A	\$2831.00
60A	Open Bus Mounting	2	CR160MC45**A	\$861.00
60A	Open Bus Mounting	3	CR160MC45**A	\$986.00
60A	Open Sub Panel	2	CR160MC41**A	\$1037.00
60A	Open Sub Panel	3	CR160MC41**A	\$1190.00
60A	Sub Panel w/ Baseplate	2	CR160MC4H**A	\$1100.00
60A	Sub Panel w/ Baseplate	3	CR160MC4H**A	\$1200.00
75A	Enclosed NEMA Type 1	2	CR160MC82**A	\$1253.00
75A	Enclosed NEMA Type 1	3	CR160MC82**A	\$1406.00
75A	Enclosed NEMA Type 1 Flush Mount	2	CR160MC8G**A	\$1640.00
75A	Enclosed NEMA Type 1 Flush Mount	3	CR160MC8G**A	\$1793.00
75A	Enclosed NEMA Type 12 / 3R	2	CR160MC8E**A	\$1994.00
75A	Enclosed NEMA Type 12 / 3R	3	CR160MC8E**A	\$2147.00
75A	Enclosed NEMA Type 4/4X	2	CR160MC8F**A	\$2678.00
75A	Enclosed NEMA Type 4/4X	3	CR160MC8F**A	\$2831.00
75A	Open Bus Mounting	2	CR160MC85**A	\$861.00
75A	Open Bus Mounting	3	CR160MC85**A	\$986.00
75A	Open Sub Panel	2	CR160MC81**A	\$1037.00
75A	Open Sub Panel	3	CR160MC81**A	\$1190.00
75A	Sub Panel w/ Baseplate	2	CR160MC8H**A	\$1100.00
75A	Sub Panel w/ Baseplate	3	CR160MC8H**A	\$1200.00
100A	Enclosed NEMA Type 1	2	CR160MC52**A	\$1417.00
100A	Enclosed NEMA Type 1	3	CR160MC52**A	\$1622.00
100A	Enclosed NEMA Type 1 Flush Mount	2	CR160MC5G**A	\$1804.00
100A	Enclosed NEMA Type 1 Flush Mount	3	CR160MC5G**A	\$2009.00
100A	Enclosed NEMA Type 12 / 3R	2	CR160MC5E**A	\$2278.00
100A	Enclosed NEMA Type 12 / 3R	3	CR160MC5E**A	\$2483.00
100A	Enclosed NEMA Type 4/4X	2	CR160MC5F**A	\$2925.00
100A	Enclosed NEMA Type 4/4X	3	CR160MC5F**A	\$3130.00
100A	Open Bus Mounting	2	CR160MC55**A	\$985.00
100A	Open Bus Mounting	3	CR160MC55**A	\$1128.00
100A	Open Sub Panel	2	CR160MC51**A	\$1173.00
100A	Open Sub Panel	3	CR160MC51**A	\$1378.00
100A	Sub Panel w/ Baseplate	2	CR160MC5H**A	\$1200.00
100A	Sub Panel w/ Baseplate	3	CR160MC5H**A	\$1500.00
150A	Enclosed NEMA Type 1	2	CR160MC62**A	\$1786.00
150A	Enclosed NEMA Type 1	3	CR160MC62**A	\$2202.00
150A	Enclosed NEMA Type 1 Flush Mount	2	CR160MC6G**A	\$2251.00
150A	Enclosed NEMA Type 1 Flush Mount	3	CR160MC6G**A	\$2667.00
150A	Enclosed NEMA Type 12 / 3R	2	CR160MC6E**A	\$2889.00
150A	Enclosed NEMA Type 12 / 3R	3	CR160MC6E**A	\$3305.00
150A	Enclosed NEMA Type 4/4X	2	CR160MC6F**A	\$3583.00
150A	Enclosed NEMA Type 4/4X	3	CR160MC6F**A	\$3999.00
150A	Open Bus Mounting	2	CR160MC65**A	\$1230.00
150A	Open Bus Mounting	3	CR160MC65**A	\$1560.00
150A	Open Sub Panel	2	CR160MC61**A	\$1464.00
150A	Open Sub Panel	3	CR160MC61**A	\$1880.00

Continuous Amp Rating	Enclosure Type	No. of Poles	Product Number ^{1,2}	List Price GO-10MB
150A	Sub Panel w/ Baseplate	2	CR160MC6H**A	\$1600.00
150A	Sub Panel w/ Baseplate	3	CR160MC6H**A	\$2000.00
200A	Enclosed NEMA Type 1	2	CR160MC72**A	\$1969.00
200A	Enclosed NEMA Type 1	3	CR160MC72**A	\$2408.00
200A	Enclosed NEMA Type 1 Flush Mount	2	CR160MC7G**A	\$2434.00
200A	Enclosed NEMA Type 1 Flush Mount	3	CR160MC7G**A	\$2873.00
200A	Enclosed NEMA Type 12 / 3R	2	CR160MC7E**A	\$3071.00
200A	Enclosed NEMA Type 12 / 3R	3	CR160MC7E**A	\$3510.00
200A	Enclosed NEMA Type 4/4X	2	CR160MC7F**A	\$3765.00
200A	Enclosed NEMA Type 4/4X	3	CR160MC7F**A	\$4204.00
200A	Open Bus Mounting	2	CR160MC75**A	\$1412.00
200A	Open Bus Mounting	3	CR160MC75**A	\$1765.00
200A	Open Sub Panel	2	CR160MC71**A	\$1646.00
200A	Open Sub Panel	3	CR160MC71**A	\$2085.00
200A	Sub Panel w/ Baseplate	2	CR160MC7H**A	\$1800.00
200A	Sub Panel w/ Baseplate	3	CR160MC7H**A	\$2200.00
225A	Enclosed NEMA Type 1	2	CR160MC92**A	\$2737.00
225A	Enclosed NEMA Type 1	3	CR160MC92**A	\$2846.00
225A	Enclosed NEMA Type 1 Flush Mount	2	CR160MC9G**A	\$3202.00
225A	Enclosed NEMA Type 1 Flush Mount	3	CR160MC9G**A	\$3311.00
225A	Enclosed NEMA Type 12 / 3R	2	CR160MC9E**A	\$3516.00
225A	Enclosed NEMA Type 12 / 3R	3	CR160MC9E**A	\$3948.00
225A	Enclosed NEMA Type 4/4X	2	CR160MC9F**A	\$4210.00
225A	Enclosed NEMA Type 4/4X	3	CR160MC9F**A	\$4642.00
225A	Open Bus Mounting	2	CR160MC95**A	\$1646.00
225A	Open Bus Mounting	3	CR160MC95**A	\$2088.00
225A	Open Sub Panel	2	CR160MC91**A	\$2091.00
225A	Open Sub Panel	3	CR160MC91**A	\$2523.00
225A	Sub Panel w/ Baseplate	2	CR160MC9H**A	\$2400.00
225A	Sub Panel w/ Baseplate	3	CR160MC9H**A	\$2600.00

5b Neutral Terminal Option

Use in place of the last 2 or A for 2 or 3 poles if a Neutral Terminal board is required. Only available on enclosed products except flush mount or sub panel with baseplate controllers.

Description	Product No. Digit	List Price Adder GO-10MB
30 to 100 Amps, 2-Pole	7	\$50.00
30 to 100 Amps, 3-Pole	8	\$50.00
150 to 225 Amps, 2-Pole	7	\$100.00
150 to 225 Amps, 3-Pole	8	\$100.00

¹Replace ** with coil and control voltages selection.

²Replace digits 2 or A for 2 or 3 poles with correct digit if a neutral terminal board is required. Neutral terminal board is not available with flush mount or sub panel with baseplate controllers.



Lighting Contactors

CR160MC

Mechanically Held Contactors

CR160MC shallow mount 30A - 225A (2 & 3 pole)

Section 3

3 & 4 Select Contactor, Coil, Control Module and Relay Voltages^{1,2}

Contactor and Coil Voltage ^{3,4}	Control Module and Relay Voltage ^{2,3,5}	3 & 4 Product No. Digits	Enclosure Type	Factory Wiring	CPT and Fusing	List Price GO-10MB
115-120V 60Hz	115-120V 60Hz	02	Open or Enclosed	No	No CPT or fusing	—
200-208V 60Hz	200-208V 60Hz	23	Open or Enclosed	No	No CPT or fusing	—
230-240V 60Hz	230-240V 60Hz	03	Open or Enclosed	No	No CPT or fusing	—
265-277V 60Hz	265-277V 60Hz	82	Open or Enclosed	No	No CPT or fusing	—
460-480V 60Hz	460-480V 60Hz	04	Open or Enclosed	No	No CPT or fusing	—
115-120V 60Hz	24V 60Hz	30	Enclosed Only	Yes	No CPT, 2 Fuses for Coil Circuit & User Supplied Control Voltage	\$929.00
200-208V 60Hz	24V 60Hz	32	Enclosed Only	Yes	No CPT, 2 Fuses for Coil Circuit & User Supplied Control Voltage	\$929.00
230-240V 60Hz	24V 60Hz	34	Enclosed Only	Yes	No CPT, 2 Fuses for Coil Circuit & User Supplied Control Voltage	\$929.00
265-277V 60Hz	24V 60Hz	36	Enclosed Only	Yes	No CPT, 2 Fuses for Coil Circuit & User Supplied Control Voltage	\$929.00
460-480V 60Hz	24V 60Hz	38	Enclosed Only	Yes	No CPT, 2 Fuses for Coil Circuit & User Supplied Control Voltage	\$929.00
115-120V 60Hz	24V DC	40	Enclosed Only	Yes	No CPT, 2 Fuses for Coil Circuit & User Supplied Control Voltage	\$929.00
200-208V 60Hz	24V DC	42	Enclosed Only	Yes	No CPT, 2 Fuses for Coil Circuit & User Supplied Control Voltage	\$929.00
230-240V 60Hz	24V DC	44	Enclosed Only	Yes	No CPT, 2 Fuses for Coil Circuit & User Supplied Control Voltage	\$929.00
265-277V 60Hz	24V DC	46	Enclosed Only	Yes	No CPT, 2 Fuses for Coil Circuit & User Supplied Control Voltage	\$929.00
460-480V 60Hz	24V DC	48	Enclosed Only	Yes	No CPT, 2 Fuses for Coil Circuit & User Supplied Control Voltage	\$929.00
200-208V 60Hz	120V 60Hz	52	Enclosed Only	Yes	No CPT, 2 Fuses for Coil Circuit & User Supplied Control Voltage	\$929.00
230-240 V 60Hz	120V 60Hz	54	Enclosed Only	Yes	No CPT, 2 Fuses for Coil Circuit & User Supplied Control Voltage	\$929.00
265-277 V 60Hz	120V 60Hz	56	Enclosed Only	Yes	No CPT, 2 Fuses for Coil Circuit & User Supplied Control Voltage	\$929.00
460-480 V 60Hz	120V 60Hz	58	Enclosed Only	Yes	No CPT, 2 Fuses for Coil Circuit & User Supplied Control Voltage	\$929.00
115-120 V 60Hz	24V 60Hz	60	Enclosed Only	Yes	CPT with 2 Primary & 1 Secondary Fuse & 2 Coil Circuit Fuses	\$1341.00
200-208V 60Hz	24V 60Hz	62	Enclosed Only	Yes	CPT with 2 Primary & 1 Secondary Fuse & 2 Coil Circuit Fuses	\$1341.00
230-240 V 60Hz	24V 60Hz	64	Enclosed Only	Yes	CPT with 2 Primary & 1 Secondary Fuse & 2 Coil Circuit Fuses	\$1341.00
265-277 V 60Hz	24V 60Hz	66	Enclosed Only	Yes	CPT with 2 Primary & 1 Secondary Fuse & 2 Coil Circuit Fuses	\$1341.00
460-480 V 60Hz	24V 60Hz	68	Enclosed Only	Yes	CPT with 2 Primary & 1 Secondary Fuse & 2 Coil Circuit Fuses	\$1341.00
200-208V 60Hz	120V 60Hz	92	Enclosed Only	Yes	CPT with 2 Primary & 1 Secondary Fuse & 2 Coil Circuit Fuses	\$1341.00
230-240 V 60Hz	120V 60Hz	94	Enclosed Only	Yes	CPT with 2 Primary & 1 Secondary Fuse & 2 Coil Circuit Fuses	\$1341.00
265-277 V 60Hz	120V 60Hz	96	Enclosed Only	Yes	CPT with 2 Primary & 1 Secondary Fuse & 2 Coil Circuit Fuses	\$1341.00
460-480 V 60Hz	120V 60Hz	98	Enclosed Only	Yes	CPT with 2 Primary & 1 Secondary Fuse & 2 Coil Circuit Fuses	\$1341.00

¹For Open Bus Mounting and Open Sub-Panel devices, no other selections are needed unless auxiliary contacts are required. If auxiliary contacts are not needed, the 12 digit product number must be ordered.

²For products where Factory Wiring is provided, an interposing relay is supplied. The relay energizes contactor and has a coil voltage equal to the selected control voltage. See wiring diagrams for details.

³Contacts used to operate the device's coil and control module must have a B600 rating as a minimum.

⁴For applications where the coil is energized independently the source must be able to switch 3000VA.

⁵For applications where the control module will be independently energized, the source must be able to switch 26VA inrush and 4VA holding (AC circuits) or 3VA inrush and holding (DC circuits).

6 Select Factory Wiring

Factory Control Wiring	6 Product No. Digit	Enclosure Type
No	A	Open or Enclosed
Yes	B	Enclosed

Note: Factory Wiring must be "B" when Coil and Control Voltages are different, or if Pilot Devices or Pilot Lights are required.

7 Select Control Circuit Type⁶

Control Circuit	7 Product No. Digit	Enclosure Type
2 Wire Control	B	Enclosed Only
3 Wire Control	C	Open or Enclosed

⁶Devices with factory wiring "A" are only available with 3 wire control circuits.

8 Select Enclosure Mounted Pilot Devices⁷

(Available only when there is an enclosure.)

Heavy Duty, 30mm Operators	8 Product No. Digit	List Price GO-10MB
None	A	—
On-Off Push Buttons ⁸	B	\$248.00
Off-On Selector Switch ^{8,9}	C	\$165.00
On-Off-Auto Selector Switch ⁹	D	\$165.00
Hand-Off-Auto Selector Switch ⁹	E	\$165.00
Off-Auto Selector Switch ^{8,9}	F	\$165.00
Off-On Selector Switch With Spring Return To Center ⁸	G	\$195.00
On-Off-Auto Keyed Selector Switch ^{9,10}	H	\$195.00
Hand-Off-Auto Keyed Selector Switch ^{9,10}	J	\$195.00

⁷Not available in flush mount or sub panel with baseplate controllers.

⁸Momentary operation of pilot device to control contactor. Available with 3 wire control.

⁹Maintained operation of pilot device to control contactor. Available with 2 wire control.

¹⁰Key removable in all positions.

9 Select Enclosure Mounted Pilot Lights^{11,12}

(Available only when there is an enclosure.)

Heavy Duty, 30mm Pilot Lights with Interchangeable Red and Green Lenses.	Type	9 Product No. Digit	List Price GO-10MB
None	—	A	—
Red/Green Light ("On")	Standard	B	\$202.00
Red/Green Light ("Off")	Standard	C	\$202.00
Red/Green ("On") & Red/Green ("Off") Lights	Standard	F	\$404.00
Red/Green Light ("On")	Push-to-Test	D	\$202.00
Red/Green Light ("Off")	Push-to-Test	E	\$202.00
Red/Green ("On") & Red/Green ("Off") Lights	Push-to-Test	G	\$404.00

¹¹Not available in flush mount or sub panel with baseplate controllers.

¹²"On" pilot lights use the NO auxiliary contact; for off lights use the NC auxiliary contact.

10 Select Auxiliary Contacts

Description	10 Product No. Digit	List Price, GO-10MB
None	A	—
1 NO Extra	B	\$154.00
1 NC Extra	C	\$154.00
1 NO and 1 NC Extra	D	\$308.00

Note: "On" pilot lights use a NO auxiliary contact. "Off" pilot lights use a NC auxiliary contact.



Lighting Contactors

CR160MC

Mechanically Held Contactors

CR160MC shallow mount 30A - 225A (2 & 3 pole)

Technical Data

Maximum AC Voltage Ratings

Type of Load	Line	Maximum AC Volts	
		Line	Load
Tungsten	480	277	480
Ballast	600	277	600
General Use	600	277	600

Control Line Wiring

Control lines extending several hundred feet from the voltage source and pilot device(s) to the lighting contactor may require special consideration. Select a wire size adequate to provide not less than 85% of rated coil voltage at the coil, for pickup, while passing inrush current through the control circuit. Suggested wire sizes, for use with a "stiff" source of control voltage, are listed below. Interposing control relays are available for greater distances, and for use with pilot devices having ratings lower than those required for direct operation of the contactor coils.

Contactor Size	Wire Size	Approx. Resistance of Single Conductor Copper Wire Ohms/1000 Ft	Max. Control Line Distance ¹	
			115V-60 Hz	230V-60 Hz
30-225A	10	1	500 ft	1500 ft
30-225A	12	1.6	315 ft	950 ft
30-225A	14	2.5	200 ft	600 ft

¹The use of two contactors on one remote control station would reduce the maximum control line distance to 1/2 the specified table value, etc.

Coil Inrush Current and Recommended Control Circuit Fuse Size

Voltage 60 Hertz	Inrush (Amperes)		NEC Fuse Size (Amperes)	
	CR160MC	CR160MC	CR160MC	CR160MC
115	26		8	
230	13		4	
277 ²	10		3	
460 ²	7		2	

²Breaking all lines

Note: Use of energy management systems, multiple control stations, or signals require prime control logic or use of a 2-wire control relay/module, to assure that on and off signals are never applied simultaneously to a mechanically held contactor.

Control Transformer Data

When the lighting contactor is used on the secondary of a transformer, the transformer must be sized to provide the required inrush current with 90% voltage applied to the transformer primary. As an alternative, utilize an interposing relay with a lower VA CPT. Connect the circuit with the line voltage driving the coil and the control voltage driving the relay coil.

Reference Publications

Instructions	GEH-3202
--------------	----------



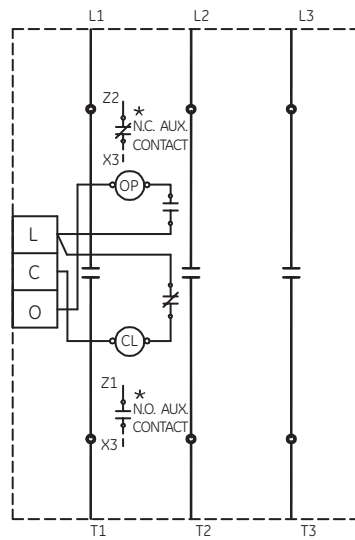
Lighting Contactors

CR160MC

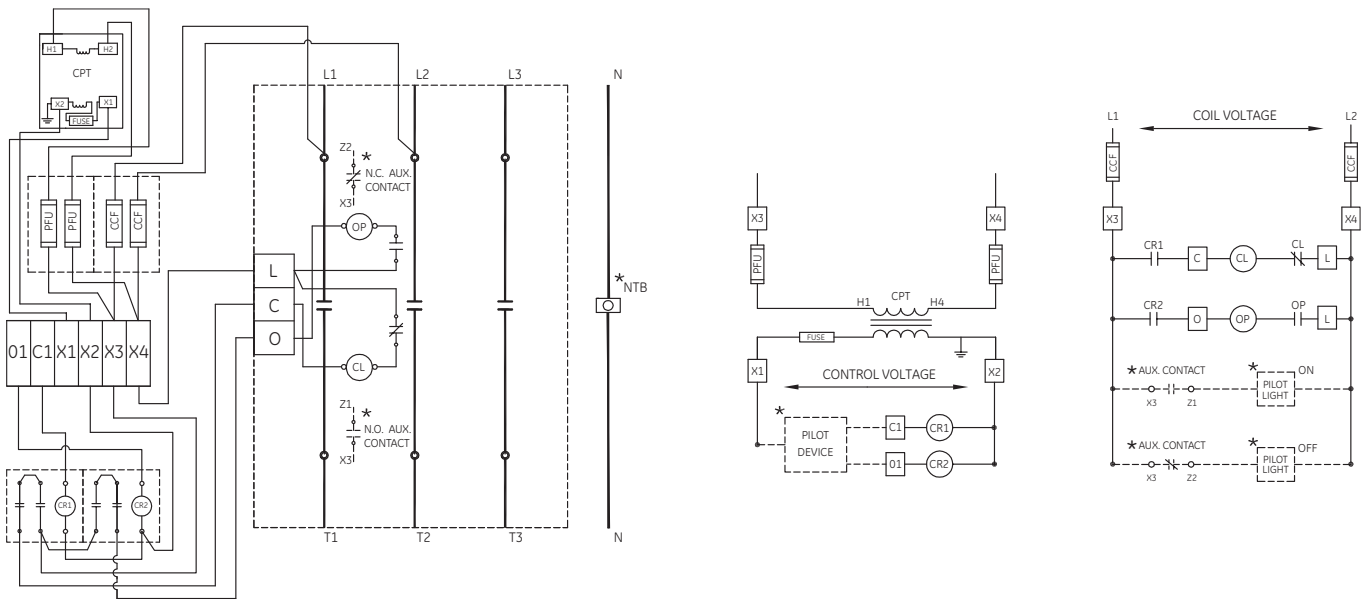
Mechanically Held Contactors

Outlines, Dimensions and Weights (For Estimating Only)

Section 3



Open Wiring Example



Enclosed Wiring Example



Lighting Contactors

CR160MC

Mechanically Held Contactors
Outlines, Dimensions and Weights (For Estimating Only)

Section 3

Open Bus Mounting Contactor

Amp Rating	Weight (lbs)	Weight (kgs)	H x W x D (in)	H x W x D (mm)	Drawing No.
30, 60, 75 & 100	9.0	4.1	8.31 x 7.13 x 3.13	211.0 x 181.1 x 79.5	55-172305
150, 200, & 225	10.0	4.5	9.50 x 7.13 x 3.13	241.3 x 181.1 x 79.5	55-172305

Type 1 Enclosures

Amp Rating	Weight (lbs)	Weight (kgs)	H x W x D (in)	H x W x D (mm)	Drawing No.
30, 60, 75 & 100	62.0	28.10	25.0 x 15.9 x 6.5	635.0 x 404.4 x 165.9	55-217830
150, 200, & 225	92.0	41.70	42.6 x 18.3 x 6.6	1081.0 x 463.3 x 167.9	55-217831

Open Sub Panel Contactor

Amp Rating	Weight (lbs)	Weight (kgs)	H x W x D (in)	H x W x D (mm)	Drawing No.
30	13.0	5.9	10.5 x 7.5 x 3.8	266.7 x 190.5 x 95.3	55-172306
60, 75 & 100	14.0	6.4	11.4 x 7.8 x 3.8	289.1 x 196.8 x 95.3	55-172306
150	16.5	7.5	13.3 x 9.0 x 3.8	336.6 x 228.3 x 95.3	55-172306
200 & 225	16.5	7.5	14.0 x 9.0 x 3.8	355.6 x 228.6 x 95.3	55-172306

Open Sub Panel Contactor with Baseplate

Amp Rating	Weight (lbs)	Weight (kgs)	H x W x D (in)	H x W x D (mm)	Drawing No.
30, 60, 75, 100, 150, 200 & 225	32.0	14.5	20.5 x 13.0 x 4.6	519.2 x 330.2 x 116.0	55-217838

Type 1 Flush Mount Enclosures

Amp Rating	Weight (lbs)	Weight (kgs)	H x W x D (in)	H x W x D (mm)	Drawing No.
30, 60, 75 & 100	62.0	28.10	21.6 x 14.5 x 5.0	549.1 x 368.3 x 127.0	55-217836
150, 200, & 225	92.0	41.70	39.2 x 14.5 x 5.0	999.5 x 368.3 x 127.0	55-217837

Note: Dimensions do not include flange.

Type 12/3R Enclosures

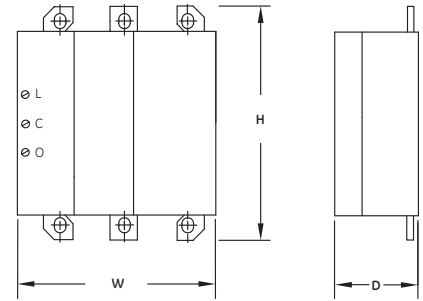
Amp Rating	Weight (lbs)	Weight (kgs)	H x W x D (in)	H x W x D (mm)	Drawing No.
30, 60, 75 & 100	62.0	28.10	28.2 x 17.8 x 7.7	715.8 x 452.1 x 194.2	55-217832
150, 200, & 225	92.0	41.70	45.7 x 21.2 x 7.7	1161.8 x 537.7 x 194.2	55-217833

Type 4/4X Enclosures

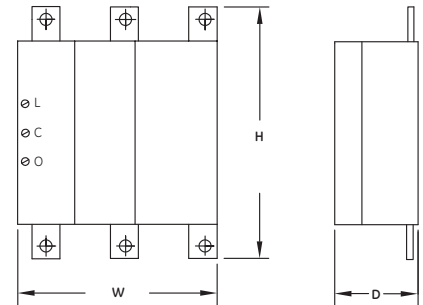
Amp Rating	Weight (lbs)	Weight (kgs)	H x W x D (in)	H x W x D (mm)	Drawing No.
30, 60, 75 & 100	62.0	28.10	25.0 x 15.9 x 6.5	635.0 x 404.4 x 165.9	55-217834
150, 200, & 225	92.0	41.70	42.6 x 18.3 x 6.5	1081.0 x 463.3 x 165.9	55-217835

Wiring Diagrams

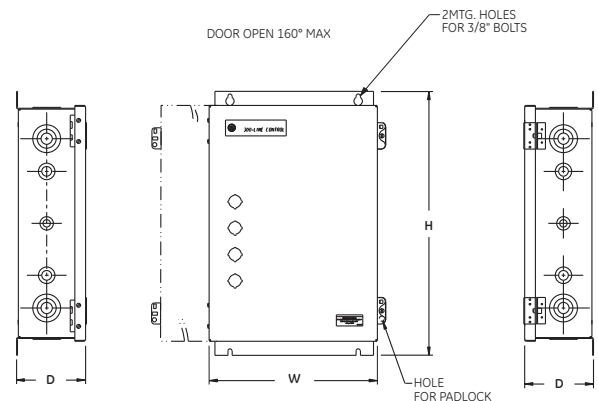
Control Circuit	Enclosure Type	Drawing No.
3 wire	Open	55-686607
2 wire, No CPT, Control & Coil voltage same	Enclosed	55-686608
3 wire, No CPT, Control & Coil voltage same	Enclosed	55-686609
2 wire, No CPT, Control & Coil voltage different	Enclosed	55-686610
3 wire, No CPT, Control & Coil voltage different	Enclosed	55-686611
2 wire, CPT	Enclosed	55-686612
3 wire, CPT	Enclosed	55-686613



Open Bus Mounting Contactor
30, 60, 75 and 100 Amp



Open Bus Mounting Contactor
150, 200 and 225 Amp



Type 1 Enclosure

