

# Leviton Load Center Outdoor Panel



Cat. No. LP210-3B

## APPLICATION

The Leviton Outdoor Load Center is easy to install and designed to withstand the elements. It features a gray, weather-resistant enclosure with a solid cover housing white circuit breakers. Hydraulic-Magnetic trip technology allows circuit breakers to operate as intended over a wide range of temperature extremes, -40°C to 85°C, without re-rating.

## FEATURES AND BENEFITS

- Terminate all hot and neutral wires at custom lugs in the panel, not at the circuit breaker\*
- The entire panel can be wired at rough-in without circuit breakers installed
- At final installation, simply plug-on the circuit breaker
- No pigtails on circuit breakers
- Copper bus is standard
- Hydraulic-Magnetic trip technology ensures precise tripping even in extreme temperature ranges\*\*
- Leviton GFCI, AFCI and Dual Function circuit breakers feature our patented reset lockout and will not reset if ground- or arc-fault protection is compromised
- Leviton circuit breakers with GFCI technology stand alone as the only circuit breakers on the market that meet the newest UL requirements for ground-fault protection
- Intuitive LEDs help communicate trip condition and type of fault (AF/GF) and remain illuminated even when the circuit breaker is in the tripped state
- Color: Gray

\*For applications up to 60A when using copper wire; or 50A when using aluminum wire

\*\*From -40°C to 85°C

## ELECTRICAL SPECIFICATIONS

Short Circuit Current Rating: 22 KA  
Voltage: 120/240 VAC  
Bus bar rating (all panels): 225A

## MECHANICAL SPECIFICATIONS

Busbar Material: Copper, Bright Tin-Plated  
Enclosure Material: Galvanized Steel, Gray Baked Enamel  
Ground Connection: 4 AWG - 2/0 AWG Cu/Al  
Supply Connections: 3 AWG - 300 MCM Cu/Al

## ENVIRONMENTAL SPECIFICATIONS

NEMA Enclosure Type: NEMA 3R Outdoor  
Operating Temperature: -40°C to 85°C

## STANDARDS & CERTIFICATIONS

UL 67: File E480404  
UL 50  
UL 50E  
UL 869A  
CSA Std. C22.2 No. 29-15 (Canadian versions)  
Certificate 70170209

## WARRANTY INFORMATION

For Leviton's limited product warranty, visit [www.leviton.com](http://www.leviton.com)

# PRODUCT SPECIFICATIONS

## Outdoor Panel Specifications

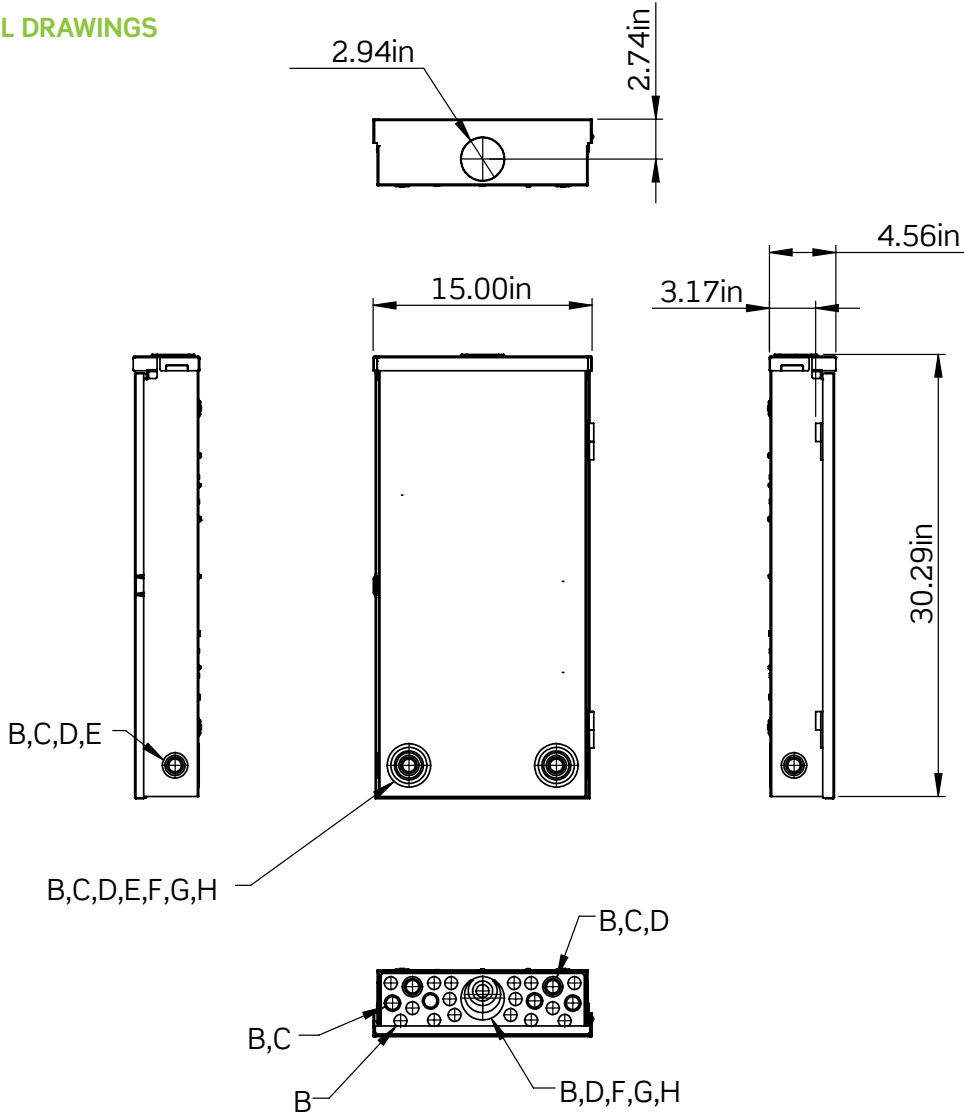
Cat. No.	Number of Spaces	Current Rating (A)	Agency Listing
LP210-3B	20	100	UL
LP212-3B		125	
LP220-3B		200	
LP212-3L		125	
LP210-C3B		100	UL, CSA
LP212-C3B		125	

## Knockout Size Table

Label	Size (In)
B	1/2
C	3/4
D	1
E	1-1/4
F	1-1/2
G	2
H	2-1/2

NOTE: All Outdoor panels are NEMA Type 3R

## DIMENSIONAL DRAWINGS

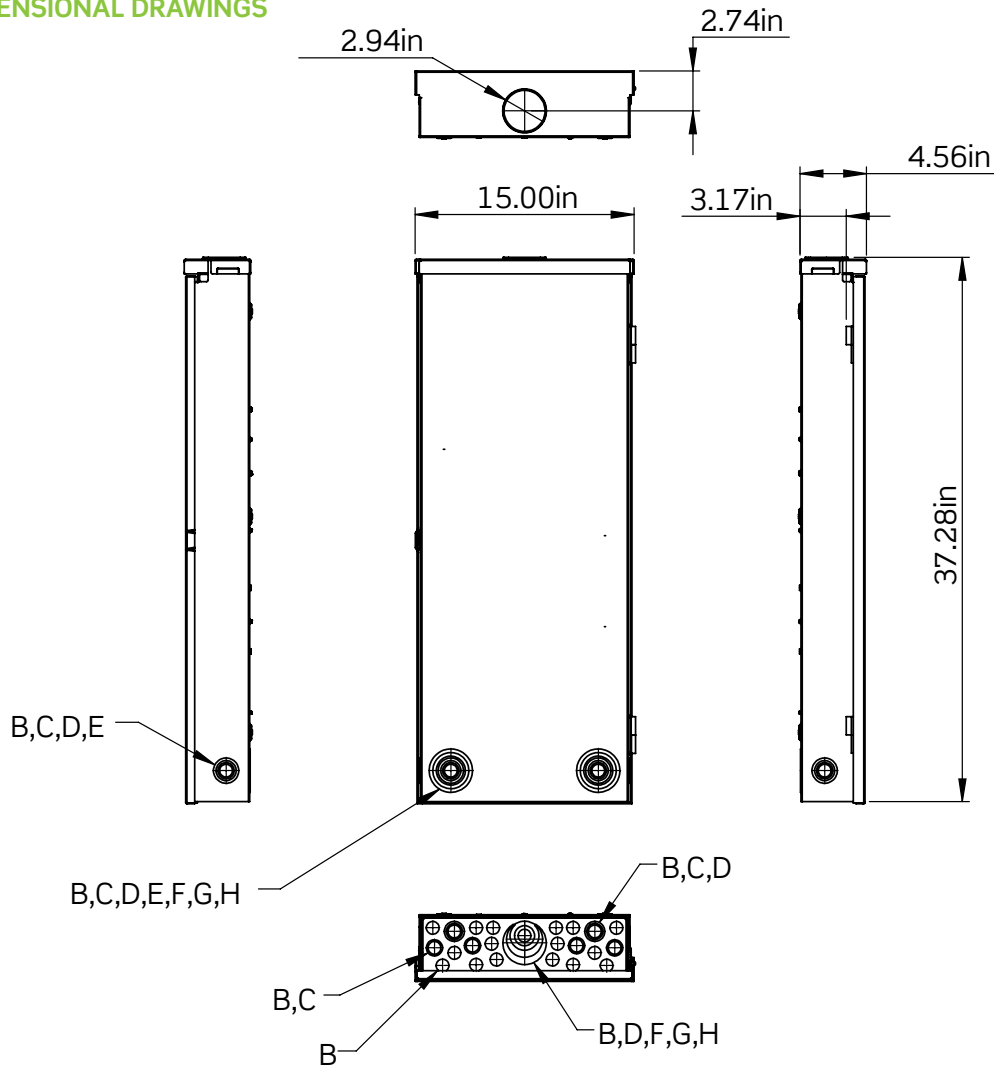


# PRODUCT SPECIFICATIONS

## Outdoor Panel Specifications

Cat. No.	Number of Spaces	Current Rating (A)	Agency Listing
LP315-3B	30	150	UL
LP320-3B		200	
LP320-3L			

## DIMENSIONAL DRAWINGS

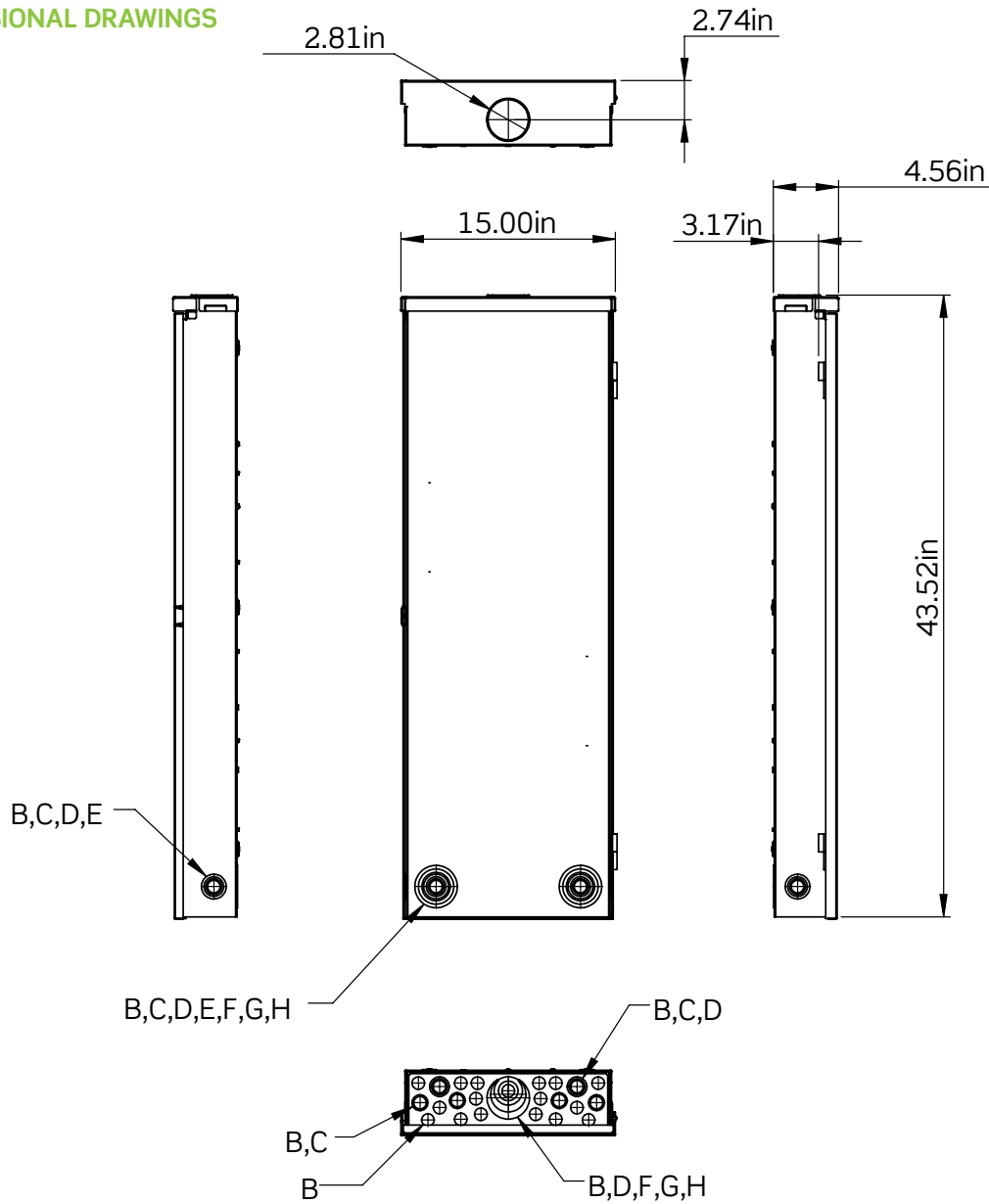


# PRODUCT SPECIFICATIONS

## Outdoor Panel Specifications

Cat. No.	Number of Spaces	Current Rating (A)	Agency Listing
LP420-3B	42	200	UL
LP422-3B		225	
LP422-3L			

## DIMENSIONAL DRAWINGS



THE LEVITON LOAD CENTER - OUTDOOR



**Leviton Manufacturing Co., Inc.**

Tech Line: 1-800-824-3005

Mon-Fri 8am-10pm EST, Saturday 9am-7pm EST, Sunday 9am-5pm EST

For 24/7 product support visit [www.leviton.com/support](http://www.leviton.com/support)

Visit our Website at: [www.leviton.com](http://www.leviton.com)

© 2021 Leviton Manufacturing Co., Inc. All rights reserved.  
All trademarks are the property of their respective owners.

