



SEMICONNECT

A Blink Charging Company



Series 7, 7+, 8, 8+

INSTALLATION MANUAL

Table of Contents

SAFETY AND COMPLIANCE..... 3

GENERAL 4

STATEMENTS 4

SYSTEM REQUIREMENTS..... 5

GENERAL REQUIREMENTS..... 5

ELECTRICAL REQUIREMENTS 6

STATION CONNECTION DIAGRAMS 8

COMMUNICATION REQUIREMENTS..... 9

NETWORK PLATFORM REQUIREMENTS 9

HARDWARE INVENTORY SPECIFICATION AND INSTALLATION..... 10

PEDESTAL MOUNT WITHOUT CABLE MANAGEMENT SYSTEM(CMS) 10

PEDESTAL MOUNT WITH CABLE MANAGEMENT SYSTEM (CMS) 17

WALL MOUNT WITHOUT CABLE MANAGEMENT SYSTEM (CMS) 28

WALL MOUNT WITH CABLE MANAGEMENT SYSTEM (CMS) 35

START-UP 47

Safety and Compliance

This document provides instructions to install the SemaConnect Charging Station and should not be used for any other products. This product must be installed in accordance with the National Electrical Code (NEC), the Canadian Electrical Code (CEC) or any applicable local code.





Review this manual and consult a licensed contractor and/or electrician before installation to ensure compliance with local building practices, climate conditions, safety standards, and state and local codes.

The SemaConnect Charging Station should be installed by a licensed contractor/ electrician and inspected by a qualified installer prior to initial use. Under no circumstances will compliance with the information in this manual relieve the user of responsibility to comply with all applicable codes and safety standards.

This document describes the most common installation and mounting methods. Contact SemaConnect Inc. where it is not possible to perform an installation using the procedures provided in this document.

SemaConnect Inc. is not responsible for damages that may occur or result from installations that are not described in this document. This document is not offered as a formal design document. All designs for the installation of this product are the sole responsibility of the appropriately licensed and/or certified installing contractor.

The following signs are used throughout the installation manual following ANSI Z535 Standard:

Sign	Intended Use
	<i>Situation will result in serious injury or death</i>
	<i>Situation could result in serious injury or death</i>
	<i>Situation could result moderate or minor injury</i>
	Situations that at worst will result in property damage and will not result in physical injuries

 **NOTE: MAKE SURE TO TURN OFF ALL BREAKERS BEFORE DOING ANY ELECTRICAL WORK!**

General

The SemaConnect Station is grounded through a dedicated conductor to the ground connection at the power distribution panel. This equipment has been tested and found to comply with the limits for a Class A digital device, pursuant to Part 15 of the FCC rules. These limits are designed to provide reasonable protection against harmful interference when the equipment is operated in a commercial environment.

⚠ CAUTION

The equipment generates, uses, and can radiate radio frequency energy and, if not installed and used in accordance with the instruction manual, may cause harmful interference to radio communications.

Statements

Reasonable effort has been made to ensure that the specifications and other information in this manual are accurate and complete at the time publication. However, specifications and other information in this manual are subject to change at any time without prior notice.

NOTICE

Use of the SemaConnect Charging Station in a manner not intended or any modification not approved by the manufacturer will void the limited warranty. Other than the limited product warranty provided by SemaConnect, this manual and the SemaConnect Inc. products are provided "AS IS," and SemaConnect Inc. expressly disclaim all implied warranties, including any warranty of design, merchantability, and fitness for a particular purposes and non-infringement, to the maximum extent permitted by law.

NOTICE

IN NO EVENT SHALL SEMACONNECT INC. OR ITS AUTHORIZED DISTRIBUTORS BE LIABLE FOR ANY INDIRECT, INCIDENTAL, SPECIAL, PUNITIVE, OR CONSEQUENTIAL DAMAGES, INCLUDING WITHOUT LIMITATION, LOST PROFITS, LOST DATA, LOSS OF USE, COST OF COVER, OR LOSS OR DAMAGE TO THE SEMACONNECT CHARGING STATION ARISING OUT OF OR RELATING TO THE USE OR INABILITY TO USE THIS MANUAL, OR RELATED PRODUCT, EVEN IF SEMACONNECT INC. OR ITS AUTHORIZED DISTRIBUTORS HAVE BEEN ADVISED OF THE POSSIBILITY OF SUCH DAMAGES.

All products or services mentioned are the trademarks, service marks, registered trademarks, or registered service marks of their respective owners. This material is protected by the copyright laws of the United States and other countries. It may not be modified, reproduced, or distributed without the prior, express written consent of SemaConnect, LLC.

System Requirements

General Requirements

⚠ WARNING

SemaConnect EV charging stations require a solidly grounded electrical system with the presence of a main bonding jumper or system bonding jumper. Ungrounded sources or impedance grounded sources of any type (resistor/reactor) are not suitable for SemaConnect EV charging stations.

SemaConnect EV charging stations require 240 volt (phase to phase) or 208 volt (phase to phase) input with an equipment grounding conductor. A grounded conductor (neutral conductor) is not required. All breakers must be non-GFCI breakers.

Anchoring detail is the responsibility of others. Anchoring must be capable of minimum weight and height in accordance with the provided table. Any seismic, wind-loading and/or snow-loading considerations increasing weights or wind-profile of unit will be the responsibility of others.

	WEIGHT (LBS)	HEIGHT (INCHES)
SERIES 7 - 18' OUTPUT CABLES	36	20.5
SERIES 7 - 25' OUTPUT CABLES	41	20.5
SERIES 8 - 18' OUTPUT CABLES	36	24
SERIES 8 - 25' OUTPUT CABLES	41	24
SERIES 7+ - 18' OUTPUT CABLES	36	20.5
SERIES 7+ - 25' OUTPUT CABLES	41	20.5
SERIES 8+ - 18' OUTPUT CABLES	36	24
SERIES 8+ - 25' OUTPUT CABLES	41	24
SERIES 7, 7+, 8, 8+ PEDESTAL	7.7	37.4
SERIES 7, 7+, 8, 8+ Wall Mount Bracket	7.7	18.1
SERIES 7, 8 CABLE MANAGEMENT SYSTEM	75.5	70.6
SERIES 7+, 8+ 80 CABLE MANAGEMENT SYSTEM	86.6	70.6

Electrical Requirements

⚠️ WARNING

Each SemaConnect EV charging station is listed and labeled through Nationally Recognized Testing Laboratory compliance testing at the maximum or ‘full rated’ output. Each station is capable of continuous full rated output up to its labeled rating or modified default output configurations in accordance with the following tables:

SERIES 7+/8+ 80 AMP - DUAL SOURCE INPUT CONFIGURATION

SERIES 7+/8+ (80 AMPS)			
240 V or 208 V DUAL SOURCE INPUT	TWO-POLE BREAKER SIZE	MODIFIED OUTPUT CONFIGURATION REQUIRED	AMPERAGE OUTPUT
	100A	NO	80A
	90A	YES	72A
	80A	YES	64A
	70A	YES	56A
	60A	YES	48A
	50A	YES	40A
	40A	YES	32A
	30A	YES	24A
	20A	YES	16A
	15A	YES	12A

SERIES 7/8 48 AMP - DUAL SOURCE INPUT CONFIGURATION

SERIES 7/8 (48 AMPS)			
240 V or 208 V DUAL SOURCE INPUT	TWO-POLE BREAKER SIZE	MODIFIED OUTPUT CONFIGURATION REQUIRED	AMPERAGE OUTPUT
	60A	NO	48A
	50A	YES	40A
	40A	YES	32A
	30A	YES	24A
	20A	YES	16A
	15A	YES	12A

SERIES 7/8 30 AMP - DUAL SOURCE INPUT CONFIGURATION

SERIES 7/8 (30 AMPS)			
240 V or 208 V DUAL SOURCE INPUT	TWO-POLE BREAKER SIZE	MODIFIED OUTPUT CONFIGURATION REQUIRED	AMPERAGE OUTPUT
	40A	NO	30A
	30A	YES	24A
	20A	YES	16A
15A	YES	12A	

SERIES 7+/8+ 80 AMP - SINGLE SOURCE INPUT CONFIGURATION

MODIFIED OUTPUT CONFIGURATION OR LOAD MANAGEMENT REQUIRED

SERIES 7+/8+ (80 AMPS)			
240V or 208V SINGLE SOURCE INPUT	TWO-POLE BREAKER SIZE	MODIFIED OUTPUT CONFIGURATION OR LOAD MANAGEMENT REQUIRED	AMPERAGE OUTPUT
	100A	YES	80A
	90A	YES	72A
	80A	YES	64A
	70A	YES	56A
	60A	YES	48A
	50A	YES	40A
	40A	YES	32A
	30A	YES	24A
	20A	YES	16A
15A	YES	12A	

SERIES 7/8 48 AMP - SINGLE SOURCE INPUT CONFIGURATION

MODIFIED OUTPUT CONFIGURATION OR LOAD MANAGEMENT REQUIRED

SERIES 7/8 (48 AMPS)			
240V or 208V SINGLE SOURCE INPUT	TWO-POLE BREAKER SIZE	MODIFIED OUTPUT CONFIGURATION OR LOAD MANAGEMENT REQUIRED	AMPERAGE OUTPUT
	60A	YES	48A
	50A	YES	40A
	40A	YES	32A
	30A	YES	24A
	20A	YES	16A
15A	YES	12A	

SERIES 7/8 30 AMP - SINGLE SOURCE INPUT CONFIGURATION

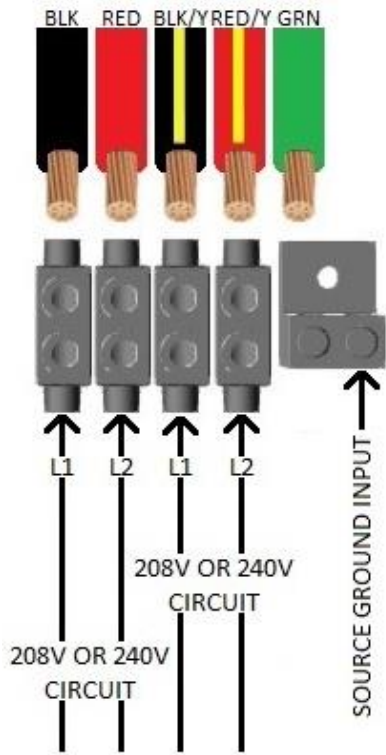
MODIFIED OUTPUT CONFIGURATION OR LOAD MANAGEMENT REQUIRED

SERIES 7/8 (30 AMPS)			
240V or 208V SINGLE SOURCE INPUT	TWO-POLE BREAKER SIZE	MODIFIED OUTPUT CONFIGURATION OR LOAD MANAGEMENT REQUIRED	AMPERAGE OUTPUT
	40A	YES	30A
	30A	YES	24A
	20A	YES	16A
15A	YES	12A	

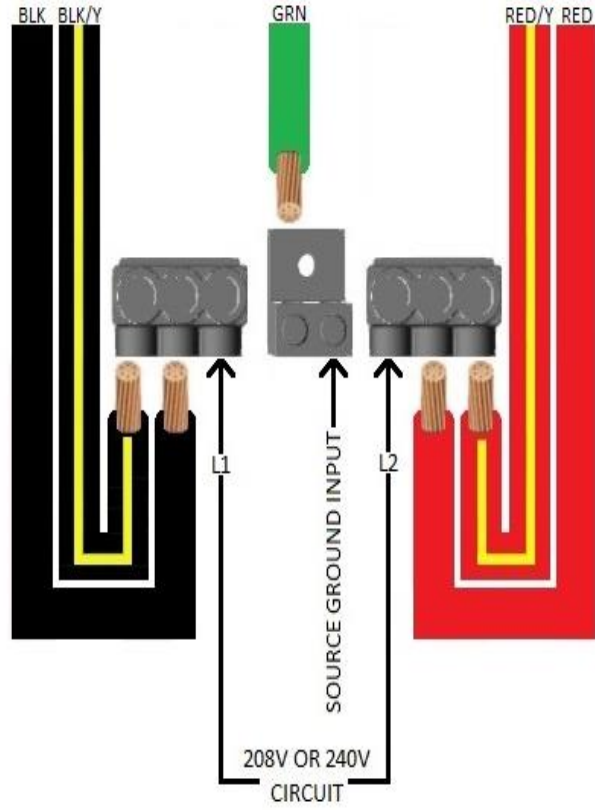
Station Connection Diagrams

⚠ WARNING

DUAL SOURCE INPUT



SINGLE SOURCE INPUT



Communication Requirements

SemaConnect EV charging stations require cellular connectivity to function properly. To enable cellular connectivity, please reference the following cellular carriers and minimum operational signal requirement at each SemaConnect EV charging station location:

Verizon	4G LTE	Band 13	RSRP: -95 dBm RSRQ: -13 dB
		Band 4	
ATT	4G LTE	Band 2 Band 4 Band 5 Band 12 Band 13	RSRP: -95 dBm RSRQ: -13 dB

SemaConnect stations do not use 5G cellular or Wi-Fi communication protocols.

Network Platform Requirements

NOTICE

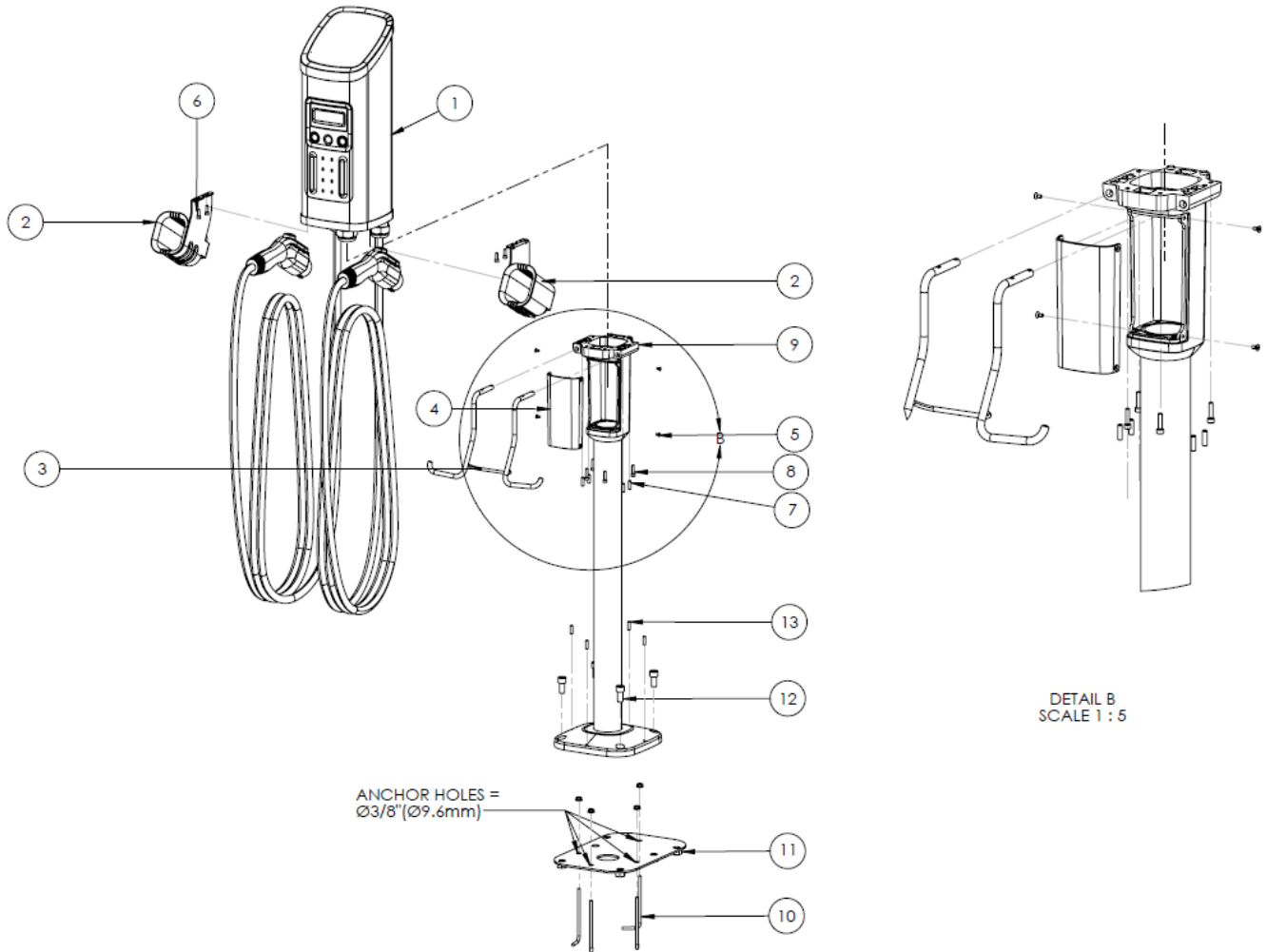
To enable modified output configurations or load management configurations, SemaConnect must be notified during station Start-up/enrollment. Failure to do so may result in nuisance breaker tripping and/or system damage. Refer to Start Up section of this manual for details.

HARDWARE INVENTORY SPECIFICATION AND INSTALLATION

PEDESTAL MOUNT WITHOUT CABLE MANAGEMENT SYSTEM(CMS)



Pedestal Mount Inventory Specification

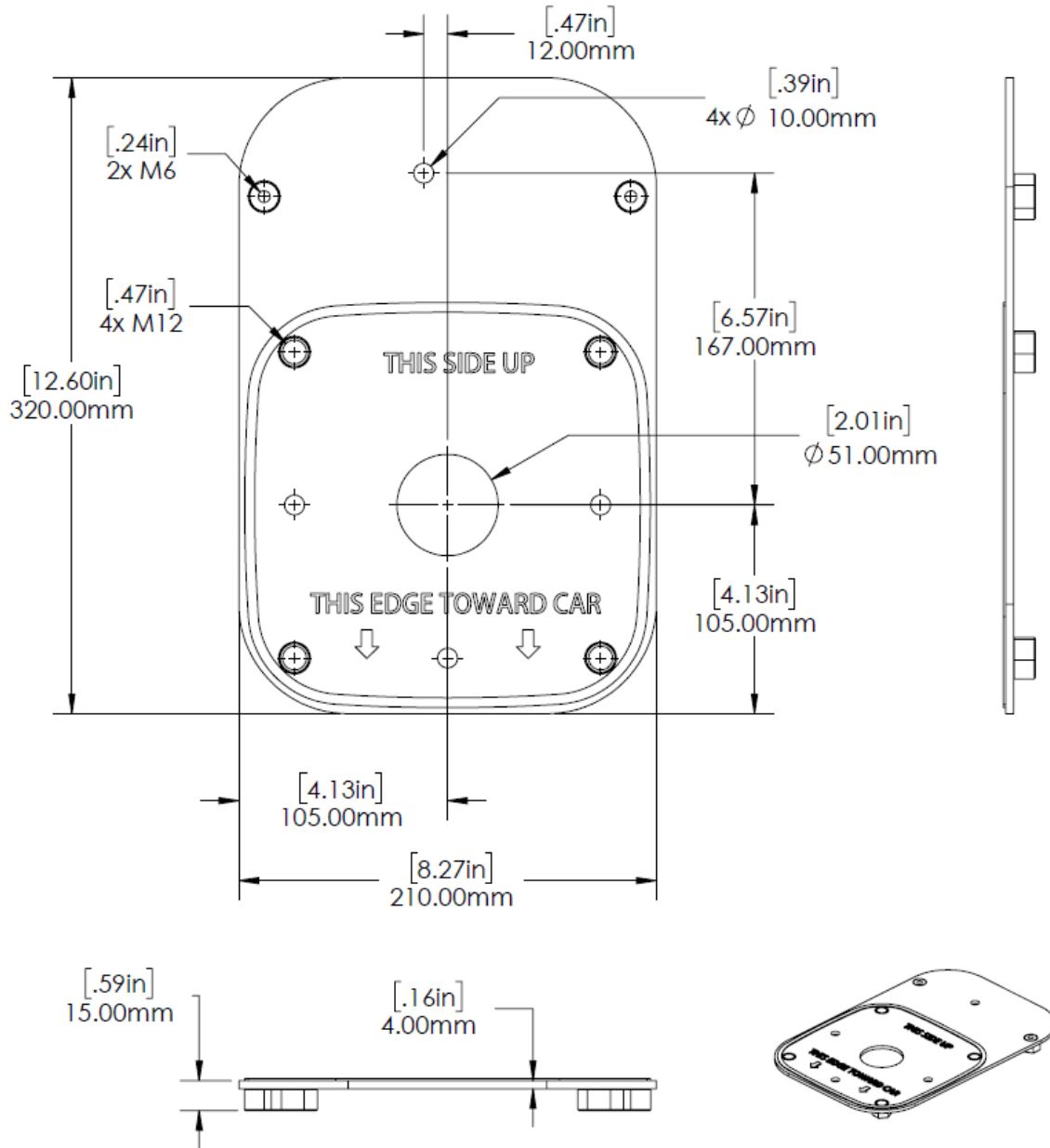


SL. NO	DESCRIPTION	QTY	TOOL REQUIRED
01	HEAD UNIT ASSEMBLY	01	-
02	HOLSTER ASSEMBLY	02	-
03	CABLE RACK	01	-
04	ACCESS PANEL COVER	01	-
05	ACCESS PANEL SCREWS - M4 X 10mm	04	2.5mm ALLEN KEY
06	HOLSTER MOUNTING SCREWS - M5 X 10mm	04	4mm X 8" SHANK ALLEN KEY
07	CABLE RACK SCREWS - M4 X 6mm	04	2mm ALLEN KEY
08	HEAD UNIT MOUNTING SCREWS - M5 X 20mm	04	4mm ALLEN KEY
09	PEDESTAL ASSEMBLY	01	-
10	ANCHOR PENETRATIONS (ANCHORING PROVIDED BY OTHERS)	04	-
11	ANCHOR PLATE	01	-
12	PEDESTAL MOUNTING SCREWS - M12 X 25mm	04	10mm ALLEN KEY
13	GROUND LEVELING SCREWS - M8 X 8mm	04	3mm ALLEN KEY

1. INSTALL ANCHOR PLATE

⚠ WARNING

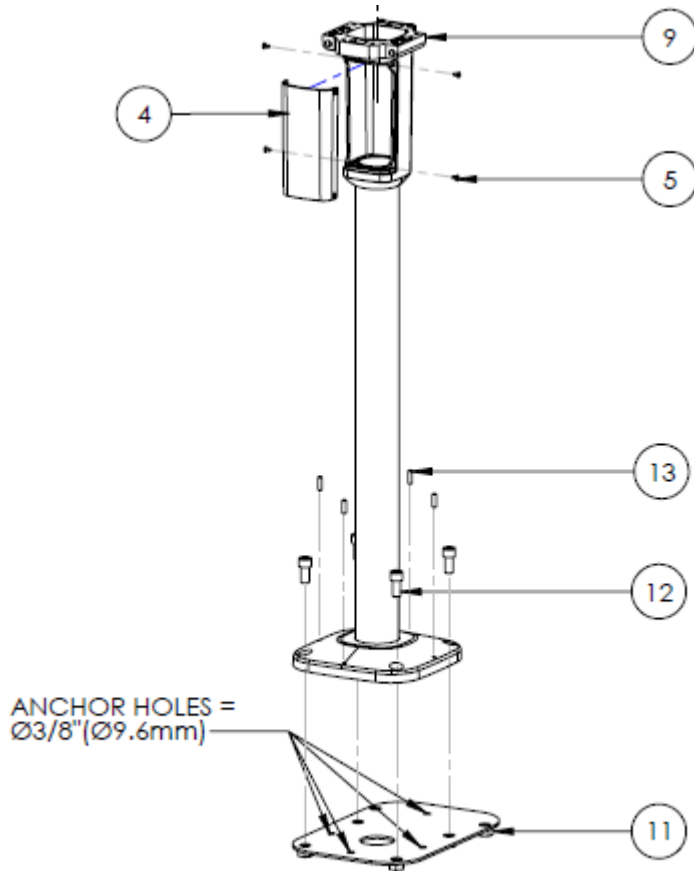
VERIFY ALL CONDUCTORS ARE DE-ENERGIZED



2. REMOVE ACCESS PANEL COVER AND INSTALL PEDESTAL WITH ACCESS PLATE OPENING FORWARD-FACING

⚠ WARNING

VERIFY ALL CONDUCTORS ARE DE-ENERGIZED

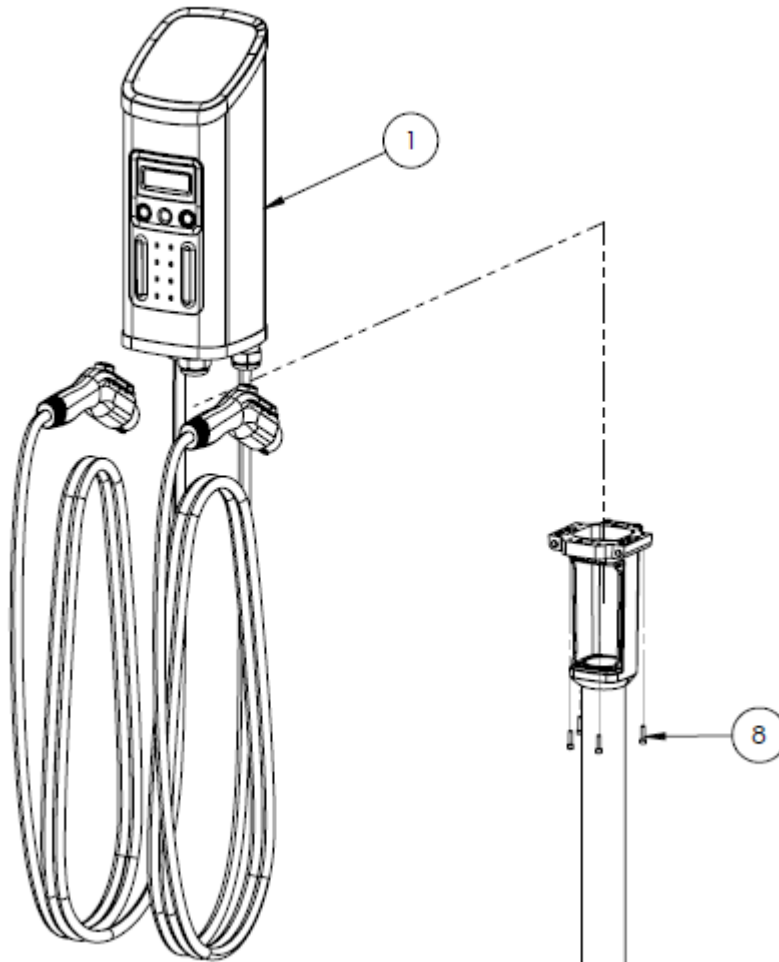


SL. NO	DESCRIPTION	QTY	TOOL REQUIRED
04	ACCESS PANEL COVER	01	-
05	ACCESS PANEL SCREWS - M4 X 10mm	04	2.5mm ALLEN KEY
09	PEDESTAL ASSEMBLY	01	-
11	ANCHOR PLATE	01	-
12	PEDESTAL MOUNTING SCREWS - M12 X 25mm	04	10mm ALLEN KEY
13	GROUND LEVELING SCREWS - M8 X 8mm	04	3mm ALLEN KEY

3. INSTALL CHARGING HEAD UNIT

⚠ CAUTION

Refer to General Requirements section for station weights



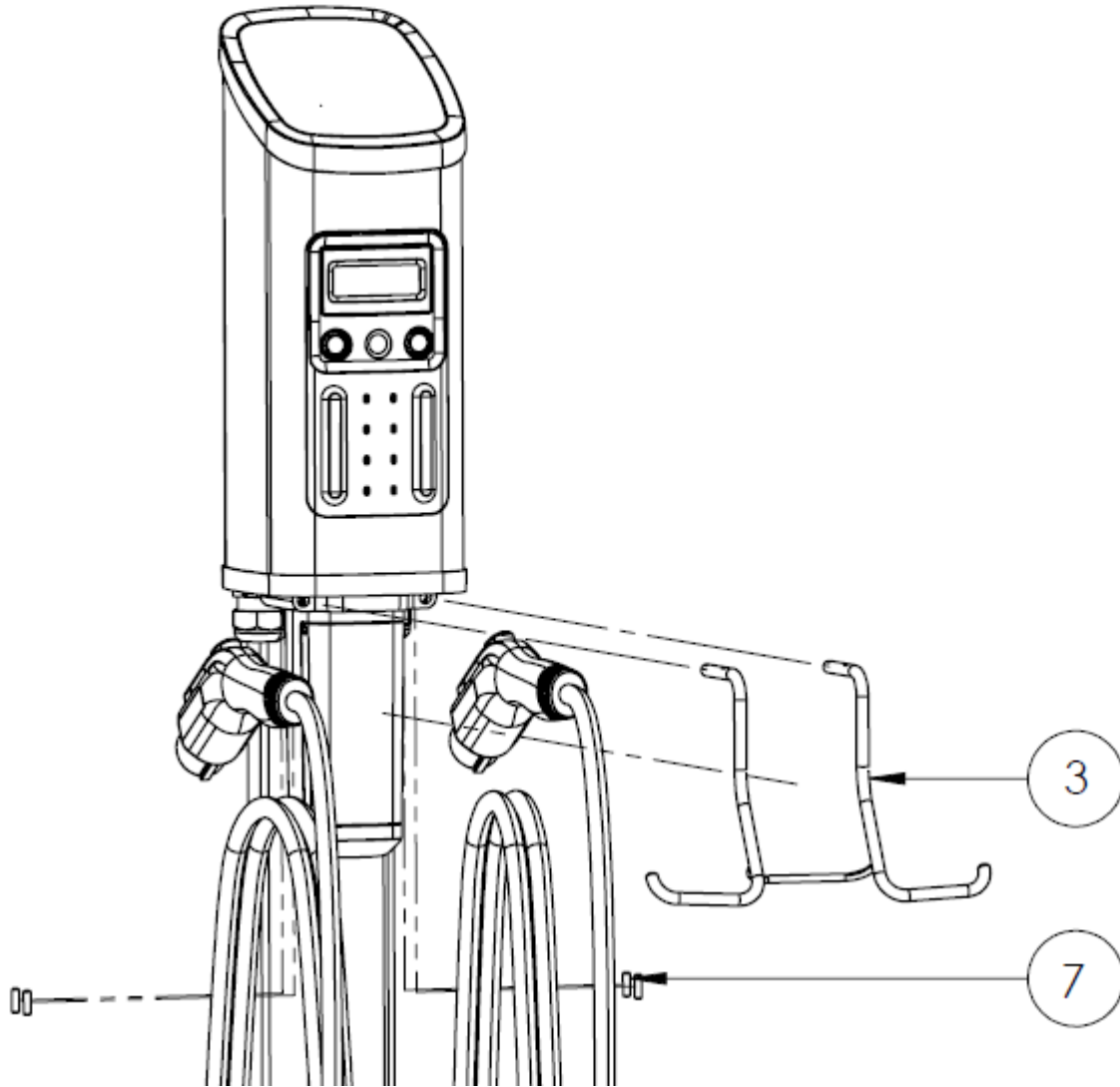
SL. NO	DESCRIPTION	QTY	TOOL REQUIRED
01	HEAD UNIT ASSEMBLY	01	-
08	HEAD UNIT MOUNTING SCREWS - M5 X 20mm	04	4mm ALLEN KEY

⚠ WARNING

VERIFY ALL CONDUCTORS ARE DE-ENERGIZED. COMPLETE ALL ELECTRICAL CONNECTIONS PRIOR TO STEP 4. SEE SYSTEM REQUIREMENTS SECTION FOR CONNECTION DETAILS.

RE-INSTALL ACCESS PANEL COVER UPON COMPLETION OF ELECTRICAL CONNECTIONS.

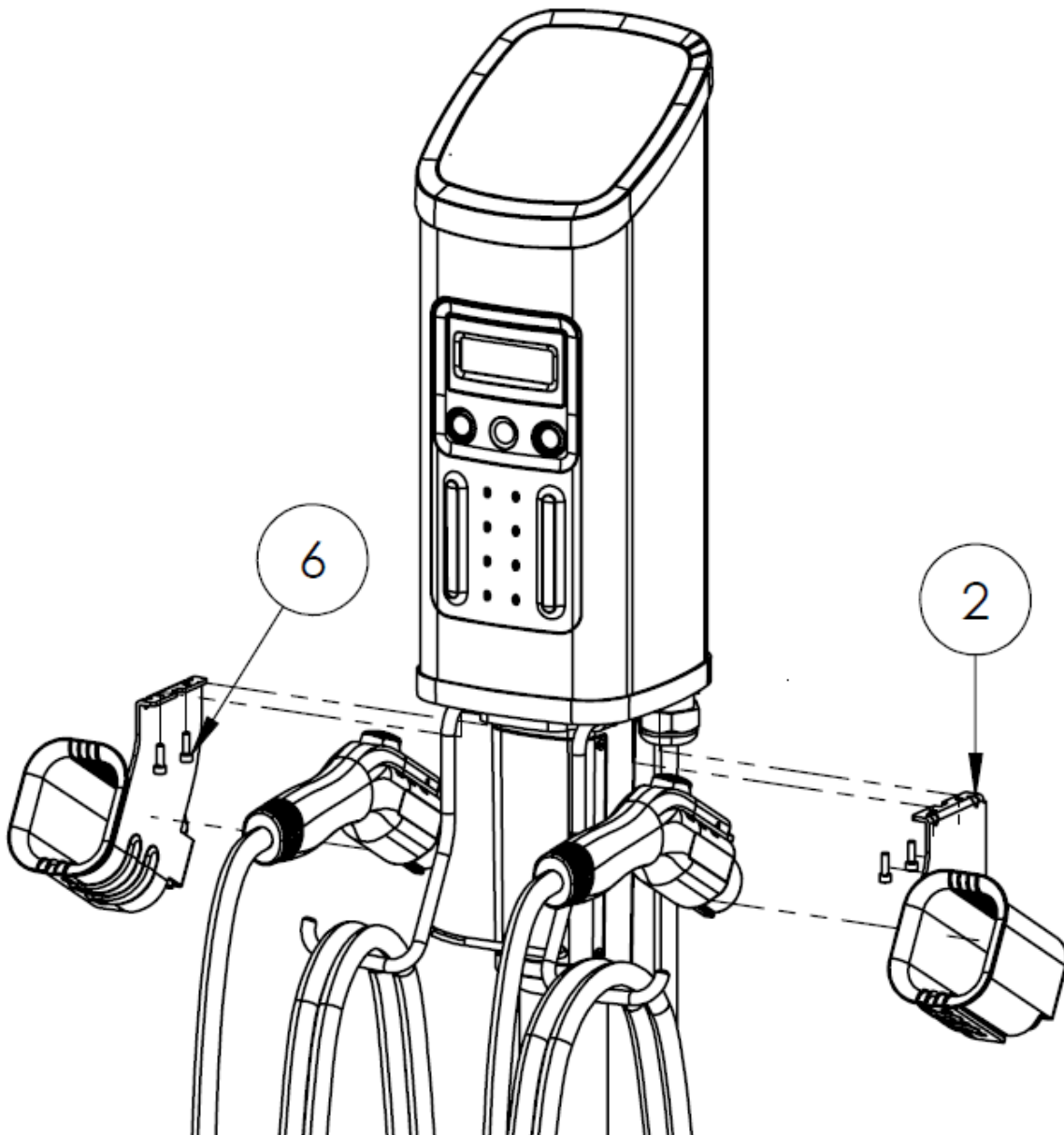
4. INSTALL CABLE RACK



SL. NO	DESCRIPTION	QTY	TOOL REQUIRED
03	CABLE RACK	01	-
07	CABLE RACK SCREWS - M4 X 6mm	04	2mm ALLEN KEY

5. INSTALL CABLE HOLSTERS

Note: A 8" (200 MM) SHANK, 4 MM ALLEN WRENCH IS REQUIRED TO ATTACH THE CABLE HOLSTERS TO THE CHARGING STATION.



SL. NO	DESCRIPTION	QTY	TOOL REQUIRED
02	HOLSTER ASSEMBLY	02	-
06	HOLSTER MOUNTING SCREWS - M5 X 10mm	04	4mm X 8" SHANK ALLEN KEY

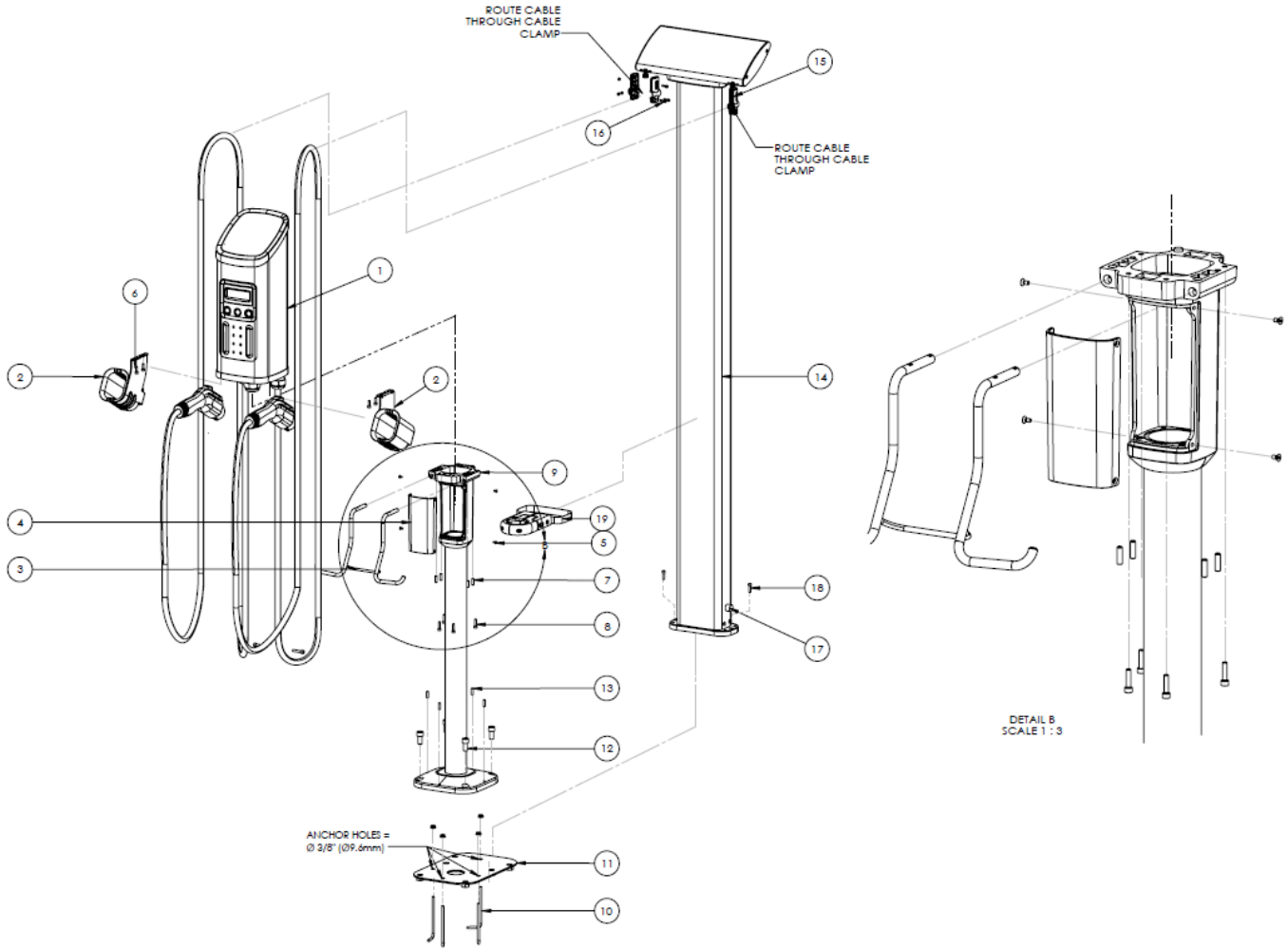
PEDESTAL MOUNT WITH CABLE MANAGEMENT SYSTEM (CMS)



Series 7/7+

Series 8/8+

Pedestal Mount with Cable Management System Inventory Specification

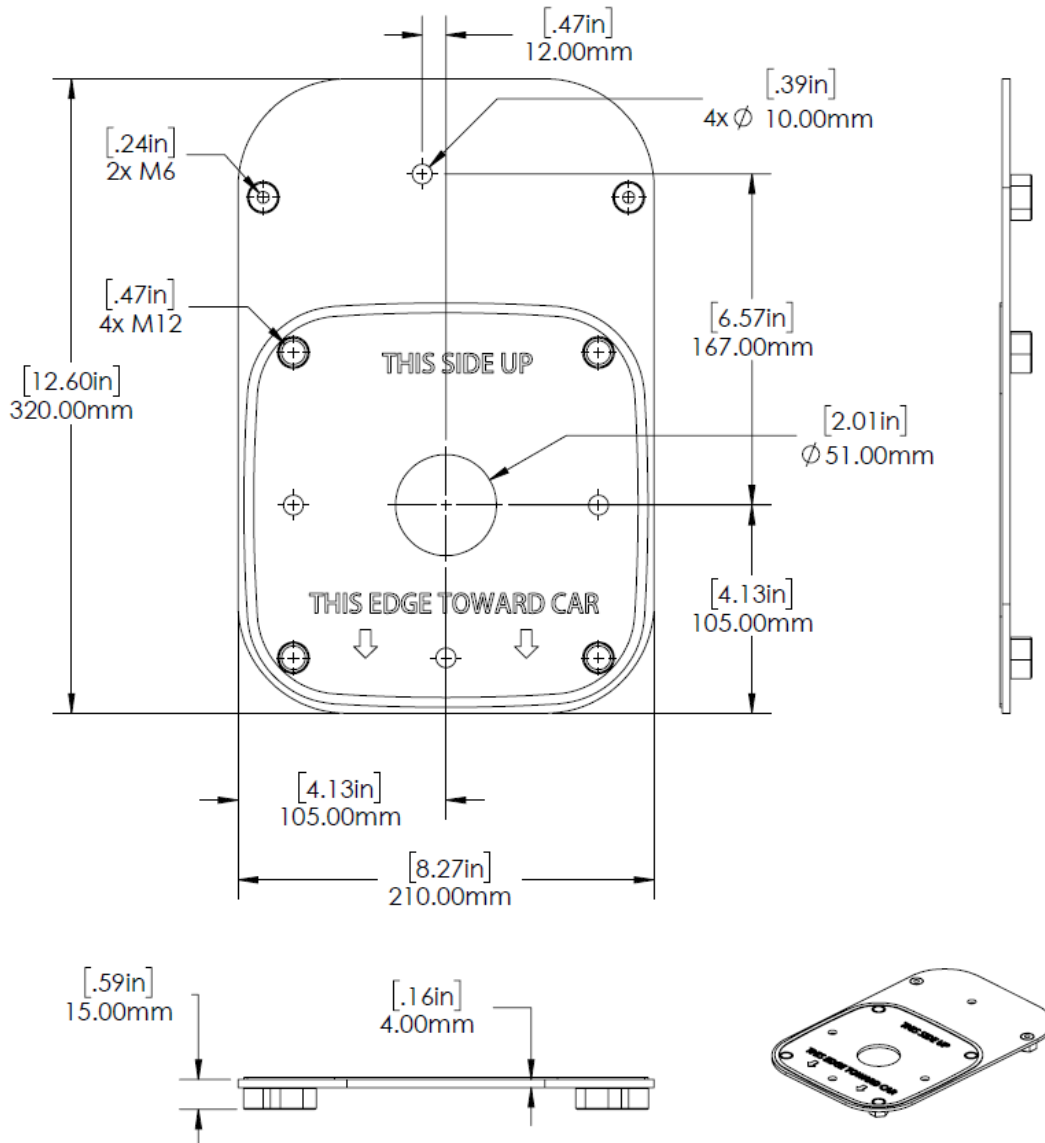


SL. NO	DESCRIPTION	QTY	TOOL REQUIRED
01	HEAD UNIT ASSEMBLY	01	-
02	HOLSTER ASSEMBLY	02	-
03	CABLE RACK	01	-
04	ACCESS PANEL COVER	01	-
05	ACCESS PANEL SCREWS - M4 X 10mm	04	2.5mm ALLEN KEY
06	HOLSTER MOUNTING SCREWS - M5 X 10mm	04	4mm X 8" SHANK ALLEN KEY
07	CABLE RACK SCREWS - M4 X 6mm	04	2mm ALLEN KEY
08	HEAD UNIT MOUNTING SCREWS - M5 X 20mm	04	4mm ALLEN KEY
09	PEDESTAL ASSEMBLY	01	-
10	ANCHOR PENETRATIONS (ANCHORING PROVIDED BY OTHERS)	04	-
11	ANCHOR PLATE	01	-
12	PEDESTAL MOUNTING SCREWS - M12 X 25mm	04	10mm ALLEN KEY
13	GROUND LEVELING SCREWS - M8 X 8mm	04	3mm ALLEN KEY
14	CABLE MANAGEMENT SYSTEM ASSEMBLY	01	-
15	OUTPUT CABLE CLAMPS	02	-
16	OUTPUT CABLE CLAMP SCREWS - M4 X 10mm, M4 X 16mm, M4 X 20mm		3mm ALLEN KEY
17	CABLE MANAGEMENT SYSTEM COUNTER WEIGHT RETENSION BOLTS - M6 X 30mm	02	5mm ALLEN KEY
18	CABLE MANAGEMENT SYSTEM MOUNTING SCREWS - M6 X 25mm	02	5mm ALLEN KEY
19	CABLE MANAGEMENT SYSTEM SUPPORT STRAP	01	3mm & 5mm ALLEN KEY

1. INSTALL ANCHOR PLATE

⚠ WARNING

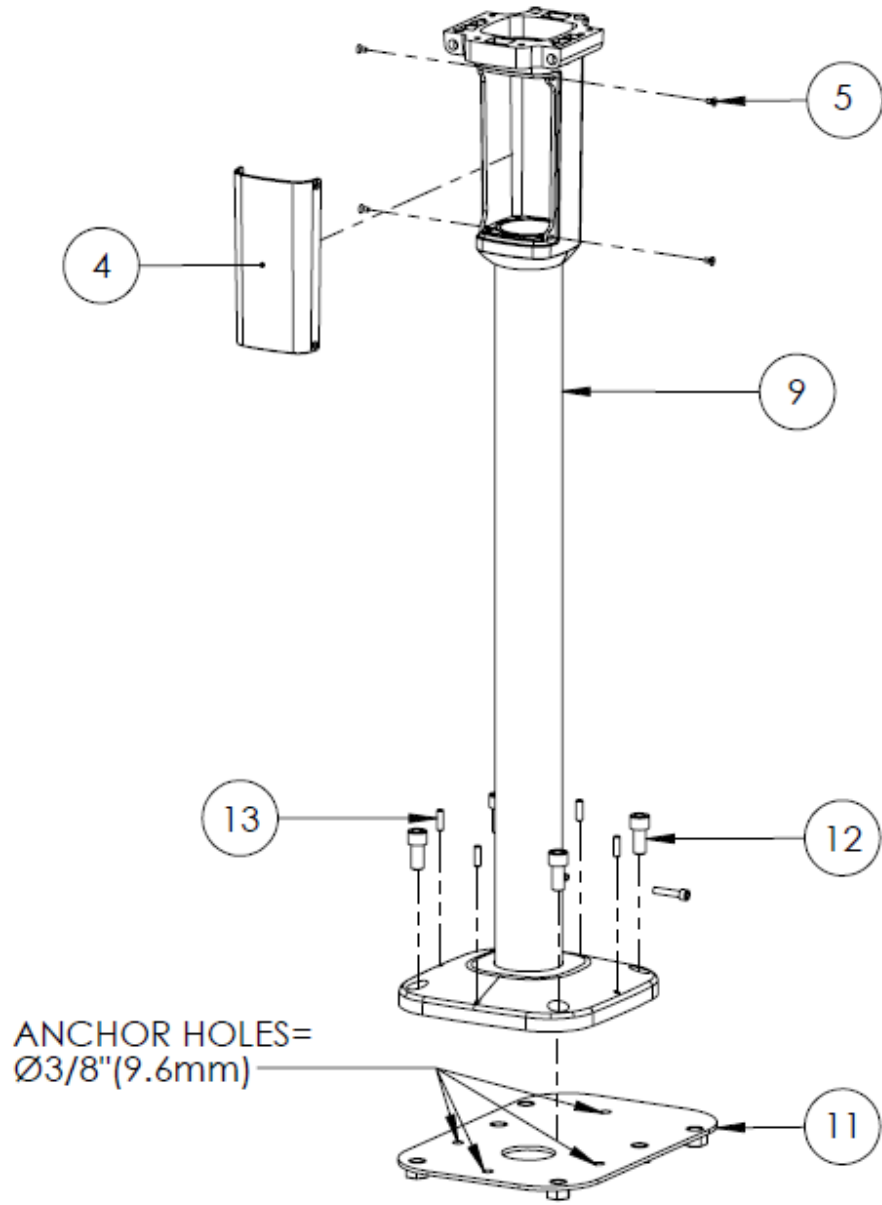
VERIFY ALL CONDUCTORS ARE DE-ENERGIZED



2. REMOVE ACCESS PANEL COVER AND INSTALL PEDESTAL WITH ACCESS PLATE OPENING FORWARD FACING

⚠ WARNING

VERIFY ALL CONDUCTORS ARE DE-ENERGIZED

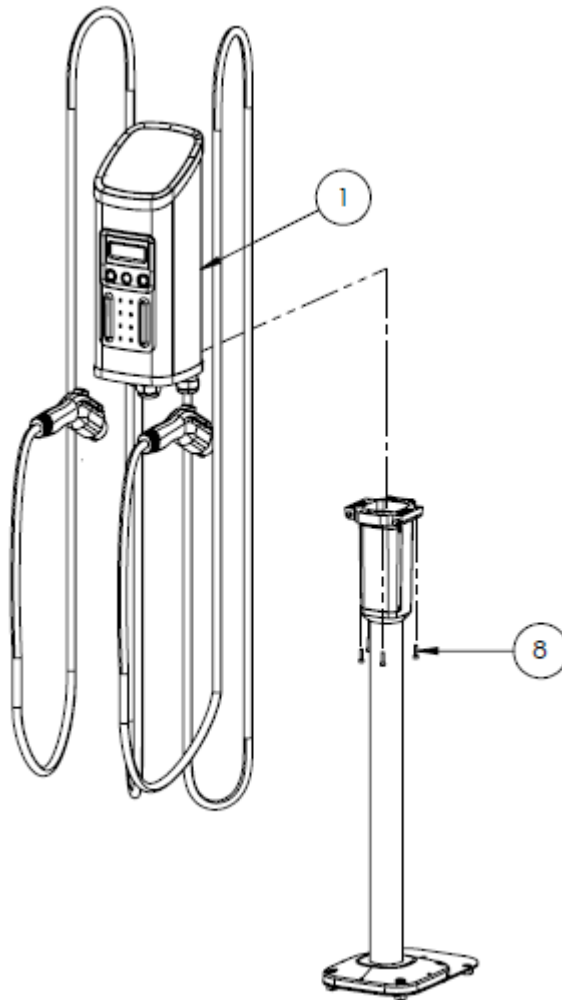


SL. NO	DESCRIPTION	QTY	TOOL REQUIRED
04	ACCESS PANEL COVER	01	-
05	ACCESS PANEL SCREWS - M4 X 10mm	04	2.5mm ALLEN KEY
09	PEDESTAL ASSEMBLY	01	-
11	ANCHOR PLATE	01	-
12	PEDESTAL MOUNTING SCREWS - M12 X 25mm	04	10mm ALLEN KEY
13	GROUND LEVELING SCREWS - M8 X 8mm	04	3mm ALLEN KEY

3. INSTALL CHARGING HEAD UNIT

⚠ CAUTION

Refer to General Requirements section for station weights



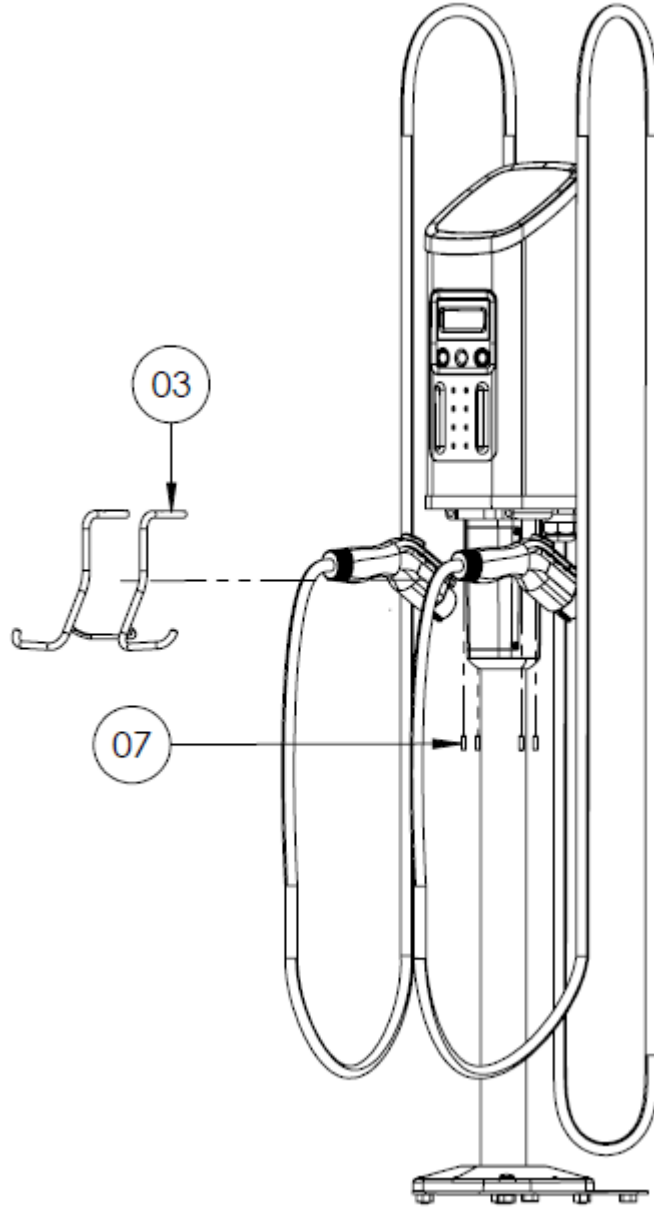
SL. NO	DESCRIPTION	QTY	TOOL REQUIRED
01	HEAD UNIT ASSEMBLY	01	-
08	HEAD UNIT MOUNTING SCREWS - M5 X 20mm	04	4mm ALLEN KEY

⚠ WARNING

VERIFY ALL CONDUCTORS ARE DE-ENERGIZED. COMPLETE ALL ELECTRICAL CONNECTIONS PRIOR TO STEP 4. SEE SYSTEM REQUIREMENTS SECTION FOR CONNECTION DETAILS.

RE-INSTALL ACCESS PANEL COVER UPON COMPLETION OF ELECTRICAL CONNECTIONS.

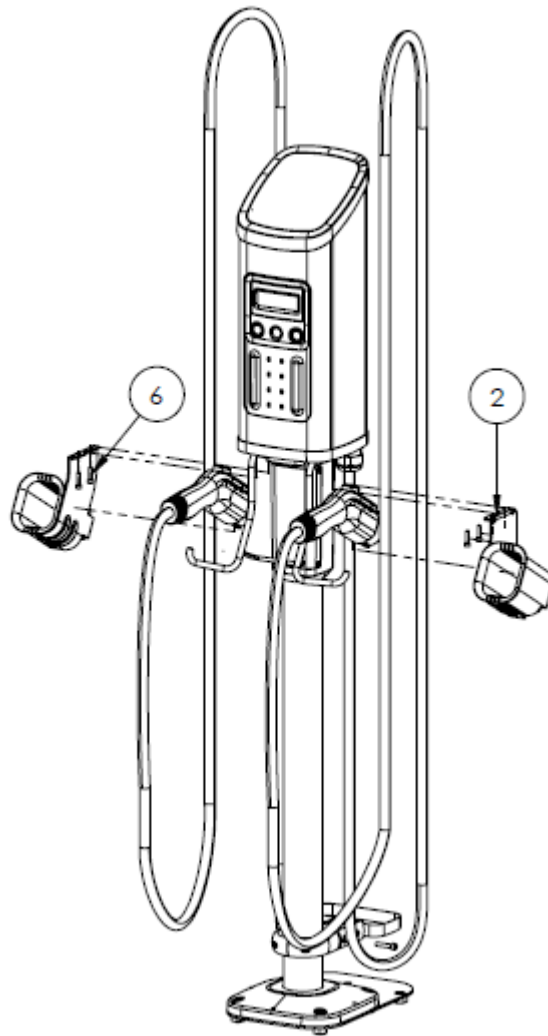
4. INSTALL CABLE RACK (CABLE RACK OPTIONAL WITH CABLE MANAGEMENT SYSTEM)



SL. NO	DESCRIPTION	QTY	TOOL REQUIRED
03	CABLE RACK	01	-
07	CABLE RACK SCREWS - M4 X 6mm	04	2mm ALLEN KEY

5. INSTALL CABLE HOLSTERS

Note: A 8" (200 MM) SHANK, 4 MM ALLEN WRENCH IS REQUIRED TO ATTACH THE CABLE HOLSTERS TO THE CHARGING STATION

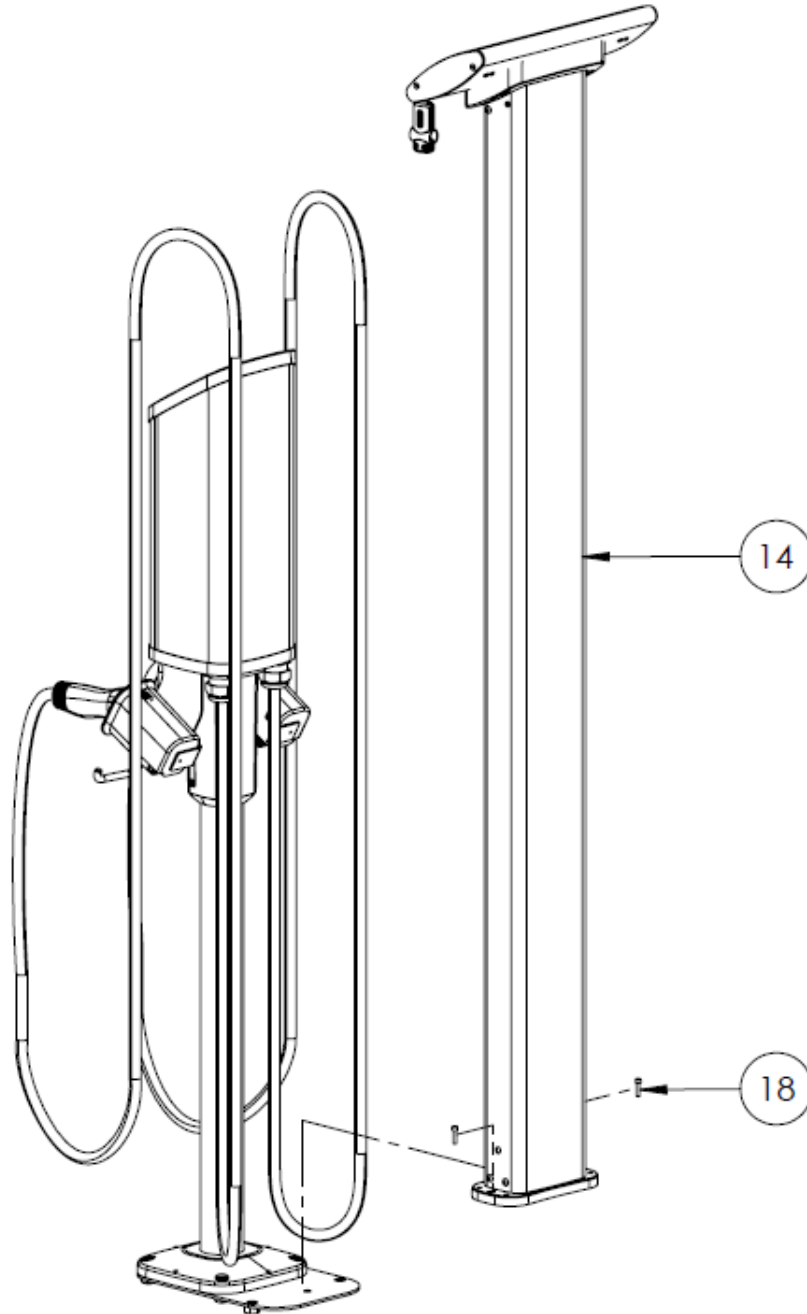


SL. NO	DESCRIPTION	QTY	TOOL REQUIRED
02	HOLSTER ASSEMBLY	02	-
06	HOLSTER MOUNTING SCREWS - M5 X 10mm	04	4mm X 8" SHANK ALLEN KEY

6. INSTALL CABLE MANAGEMENT SYSTEM (CMS)

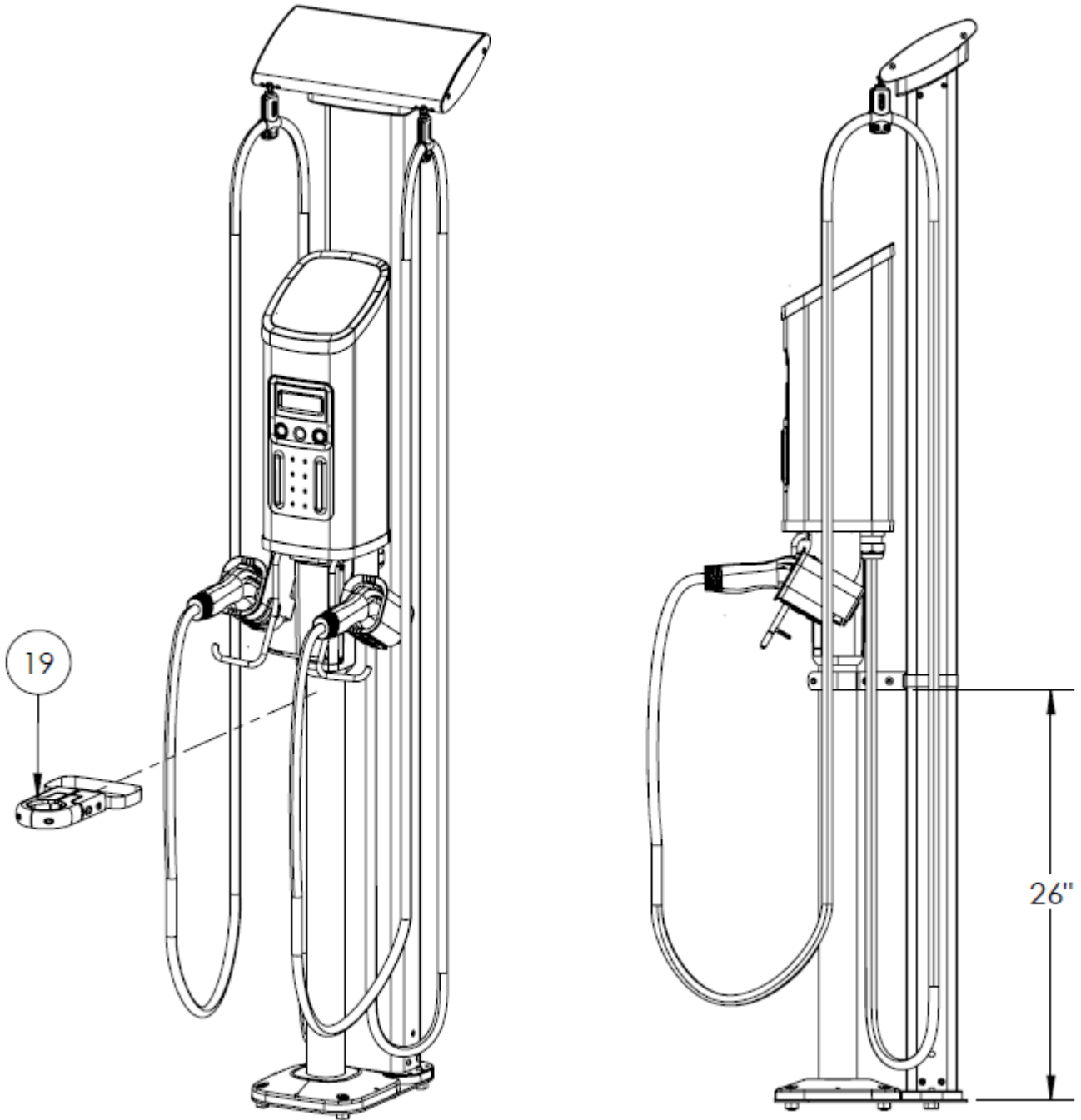
⚠ CAUTION

Refer to General Requirements section for Cable Management System Weights



SL. NO	DESCRIPTION	QTY	TOOL REQUIRED
14	CABLE MANAGEMENT SYSTEM ASSEMBLY	01	-
18	CABLE MANAGEMENT SYSTEM MOUNTING SCREWS - M6 X 25mm	02	5mm ALLEN KEY

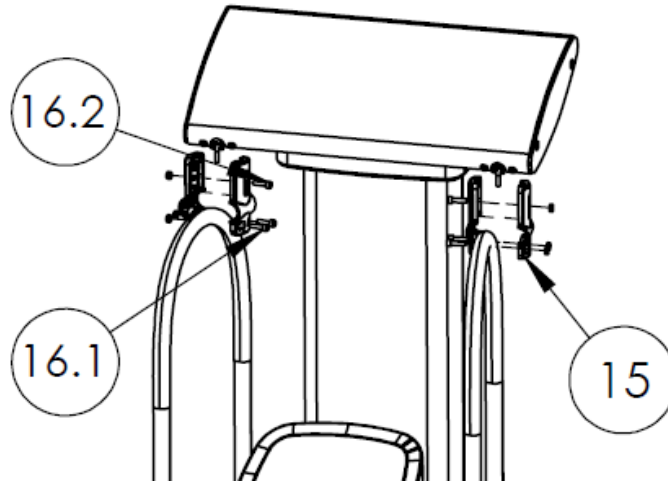
7. INSTALL CMS PEDESTAL CLAMP



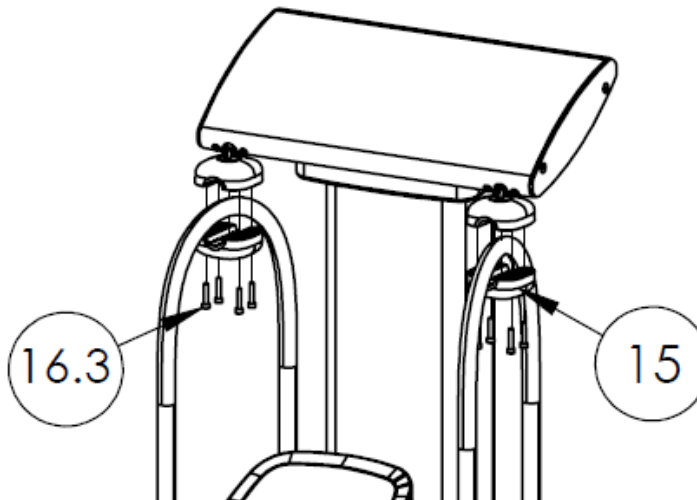
SL. NO	DESCRIPTION	QTY	TOOL REQUIRED
19	CABLE MANAGEMENT SYSTEM SUPPORT STRAP	01	3mm & 5mm ALLEN KEY

8. INSTALL CABLE MANAGEMENT SYSTEM OUTPUT CABLE CLAMPS

30A/48A Cable Clamp



80A Cable Clamp

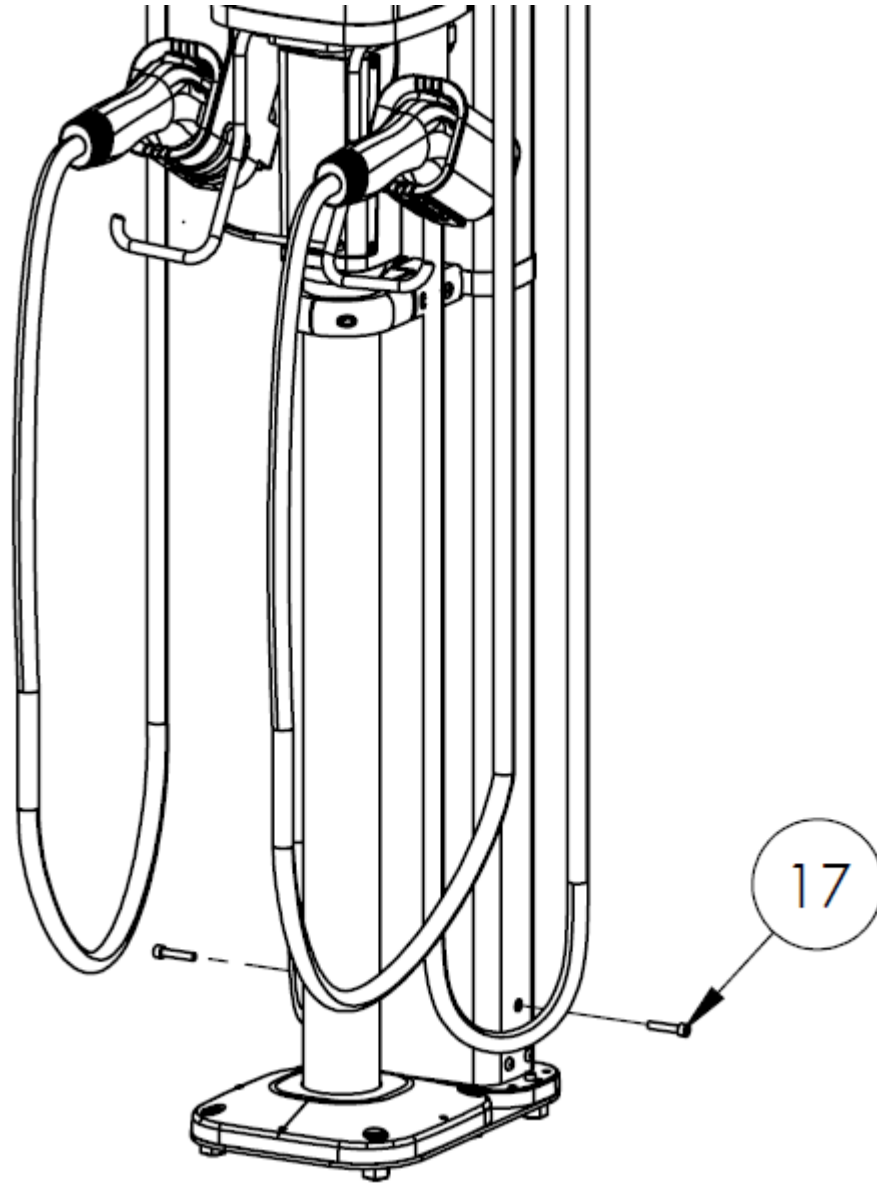


18' Cable – Install clamp 9' from the output cable J1772 coupler

25' Cable – Install clamp 9' from the output cable J1772 coupler

SL. NO	DESCRIPTION	QTY	TOOL REQUIRED
15	OUTPUT CABLE CLAMPS	02	-
16.1	OUTPUT CABLE CLAMP SCREWS - M4 X 10mm	04	3mm ALLEN KEY
16.2	OUTPUT CABLE CLAMP SCREWS - M4 X 16mm	02	3mm ALLEN KEY
16.3	OUTPUT CABLE CLAMP SCREWS - M4 X 20mm	08	3mm ALLEN KEY

9. REMOVE CMS COUNTERWEIGHT RETENTION BOLTS



SL. NO	DESCRIPTION	QTY	TOOL REQUIRED
17	CABLE MANAGEMENT SYSTEM COUNTER WEIGHT RETENSION BOLTS - M6 X 30mm	02	5mm ALLEN KEY

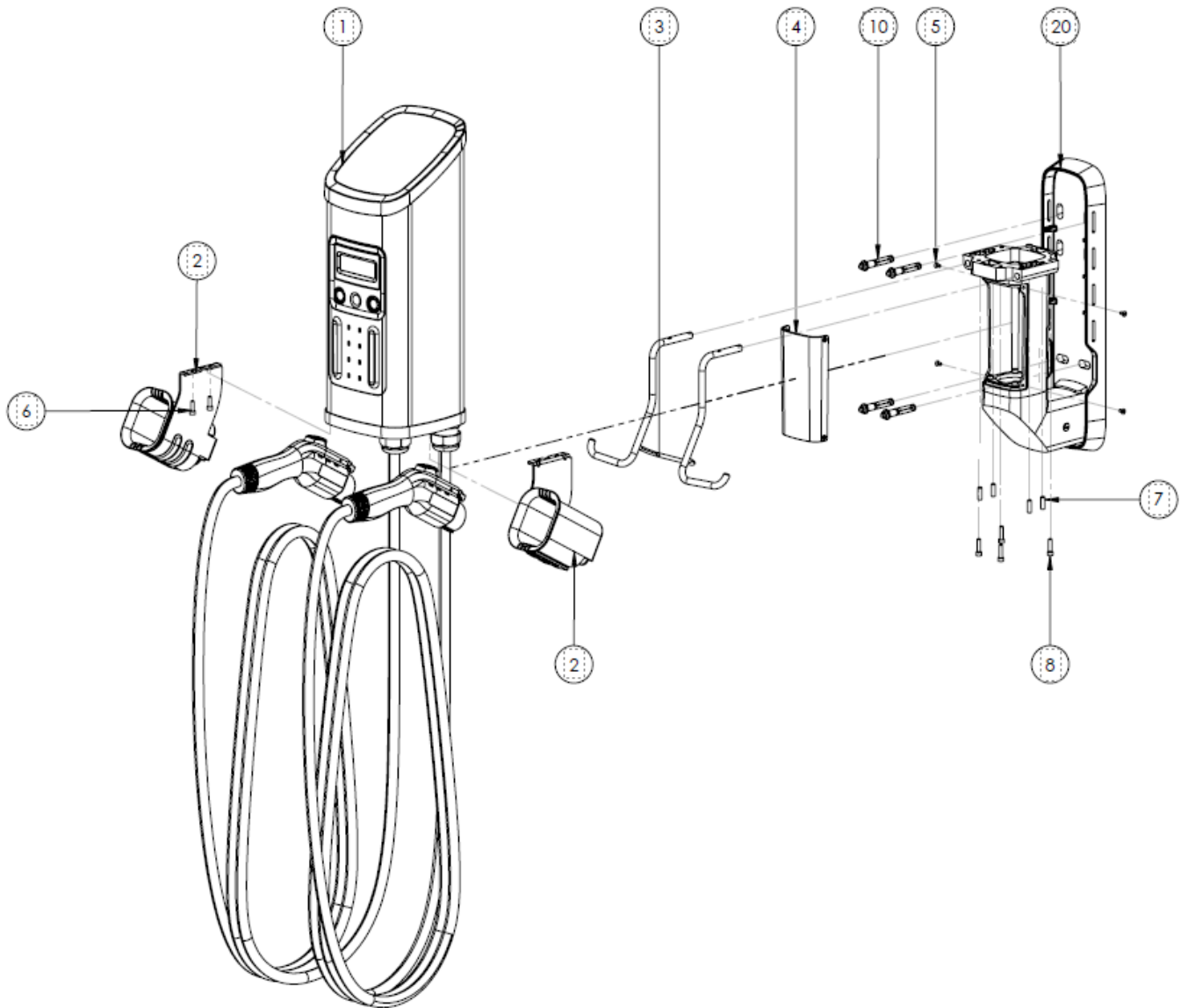
WALL MOUNT WITHOUT CABLE MANAGEMENT SYSTEM (CMS)



Series 7/7+

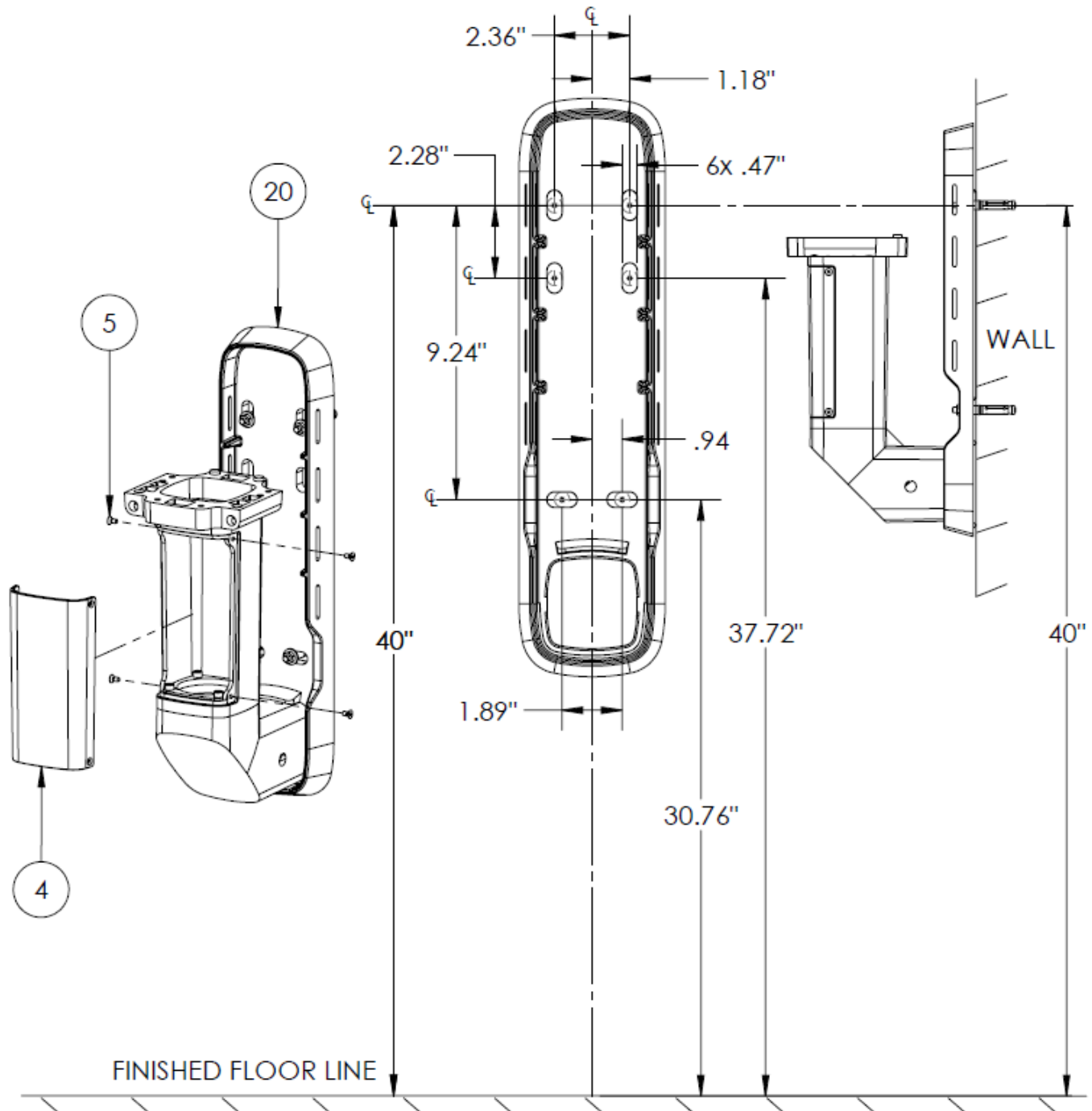
Series 8/8+

Wall Mount Inventory Specification



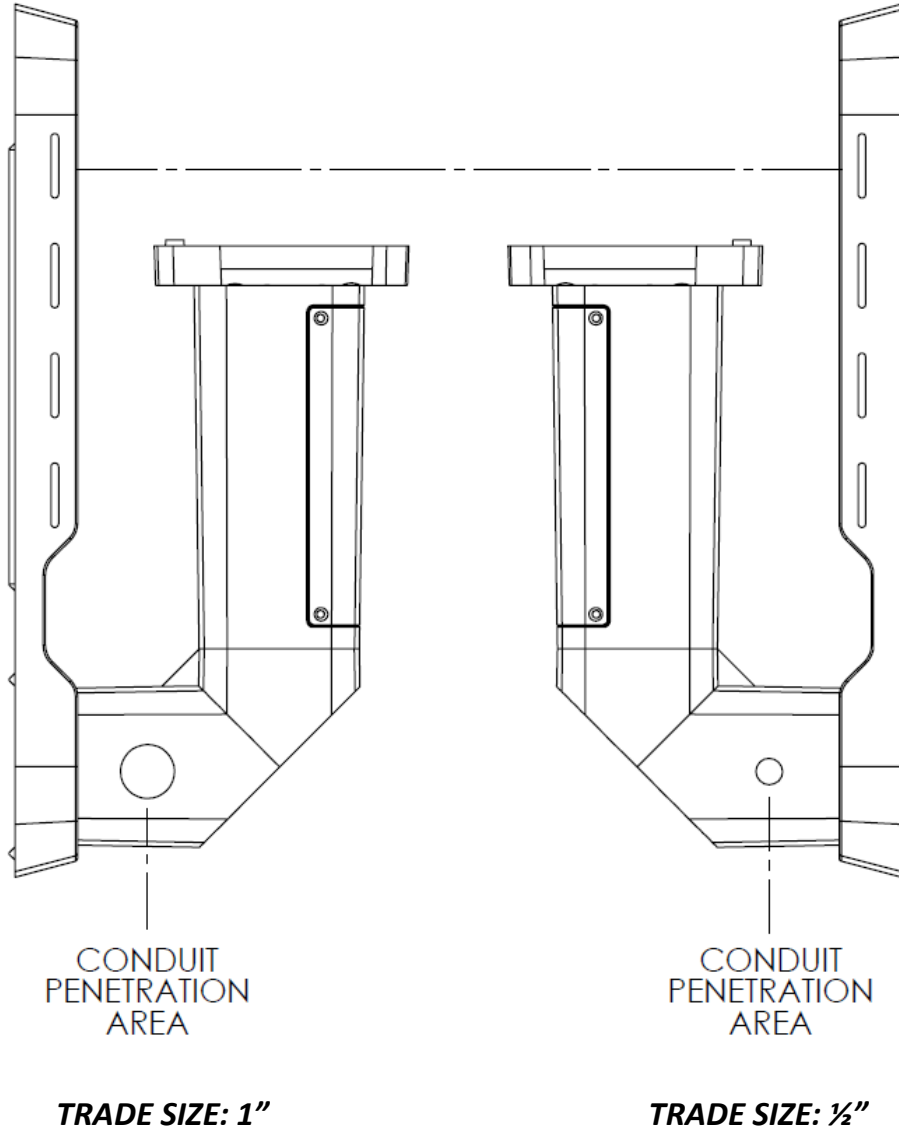
SL. NO	DESCRIPTION	QTY	TOOL REQUIRED
01	HEAD UNIT ASSEMBLY	01	-
02	HOLSTER ASSEMBLY	02	-
03	CABLE RACK	01	-
04	ACCESS PANEL COVER	01	-
05	ACCESS PANEL SCREWS - M4 X 10mm	04	2.5mm ALLEN KEY
06	HOLSTER MOUNTING SCREWS - M5 X 10mm	04	4mm X 8" SHANK ALLEN KEY
07	CABLE RACK SCREWS - M4 X 6mm	04	2mm ALLEN KEY
08	HEAD UNIT MOUNTING SCREWS - M5 X 20mm	04	4mm ALLEN KEY
10	WALL MOUNT ANCHORS (PROVIDED BY OTHERS)	-	-
20	WALL MOUNT ASSEMBLY	01	-

1. REMOVE ACCESS PANEL AND INSTALL WALL MOUNT ASSEMBLY



SL. NO	DESCRIPTION	QTY	TOOL REQUIRED
04	ACCESS PANEL COVER	01	-
05	ACCESS PANEL SCREWS - M4 X 10mm	04	2.5mm ALLEN KEY
20	WALL MOUNT ASSEMBLY	01	-

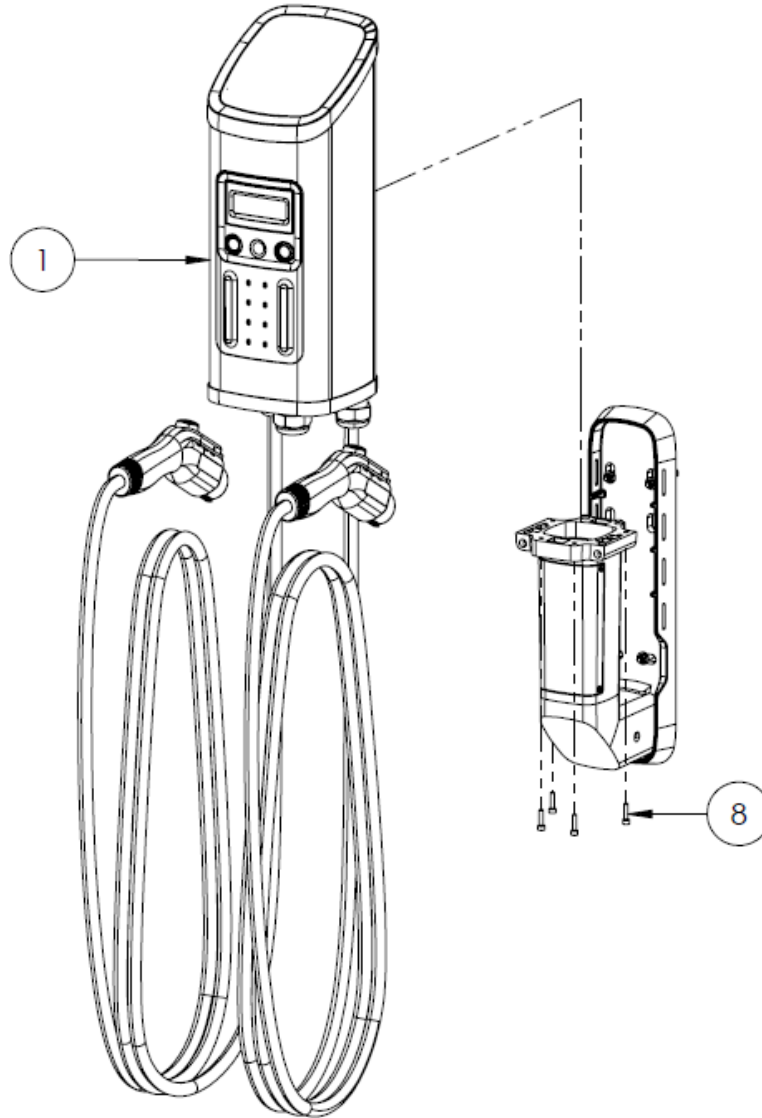
2. CONNECT CONDUIT TO WALL MOUNT ASSEMBLY



3. INSTALL CHARGING HEAD UNIT

⚠ CAUTION

Refer to General Requirements section for station weights



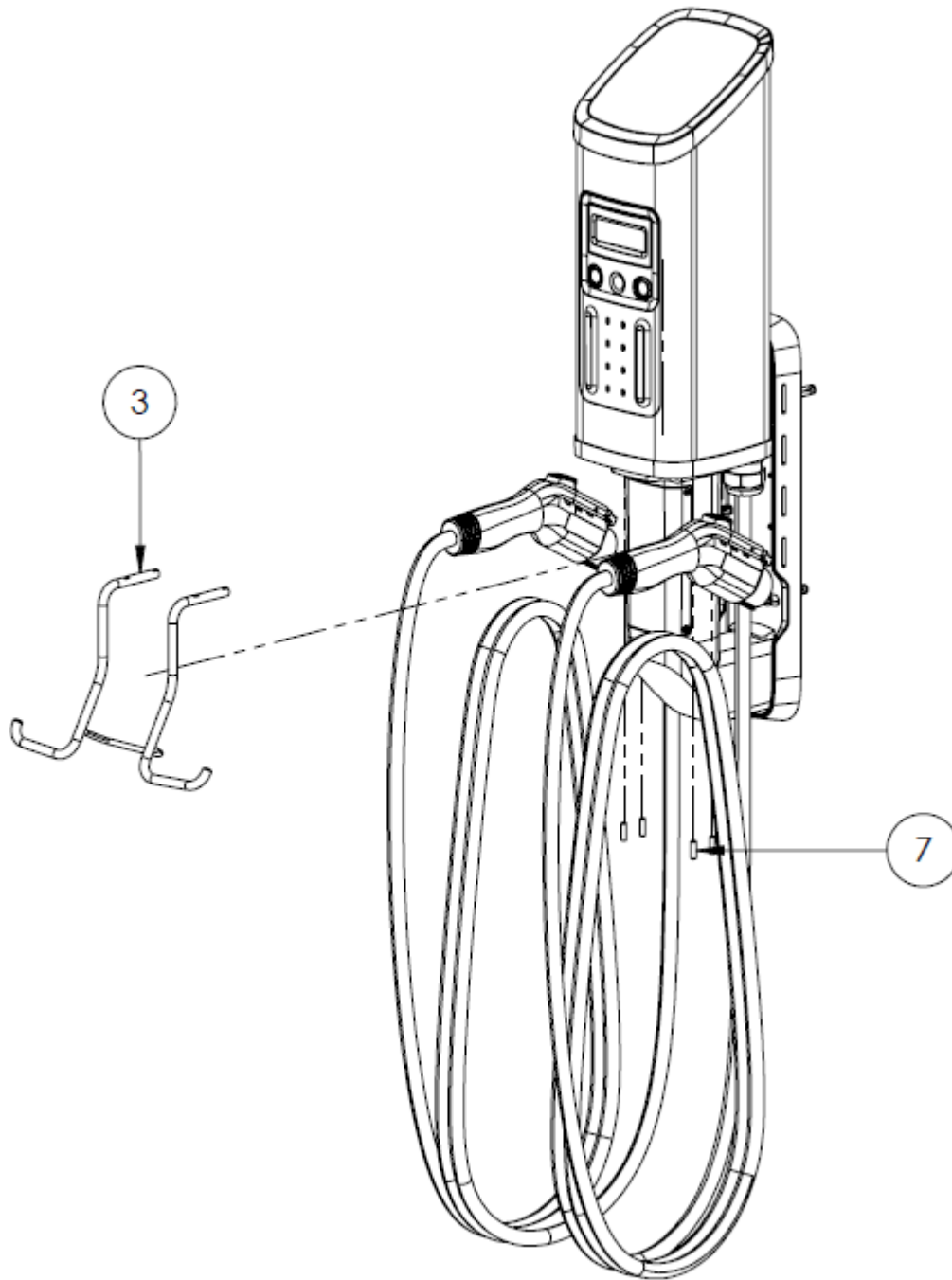
SL. NO	DESCRIPTION	QTY	TOOL REQUIRED
01	HEAD UNIT ASSEMBLY	01	-
08	HEAD UNIT MOUNTING SCREWS - M5 X 20mm	04	4mm ALLEN KEY

⚠ WARNING

VERIFY ALL CONDUCTORS ARE DE-ENERGIZED. COMPLETE ALL ELECTRICAL CONNECTIONS PRIOR TO STEP 4. SEE SYSTEM REQUIREMENTS SECTION FOR CONNECTION DETAILS.

RE-INSTALL ACCESS PANEL COVER UPON COMPLETION OF ELECTRICAL CONNECTIONS.

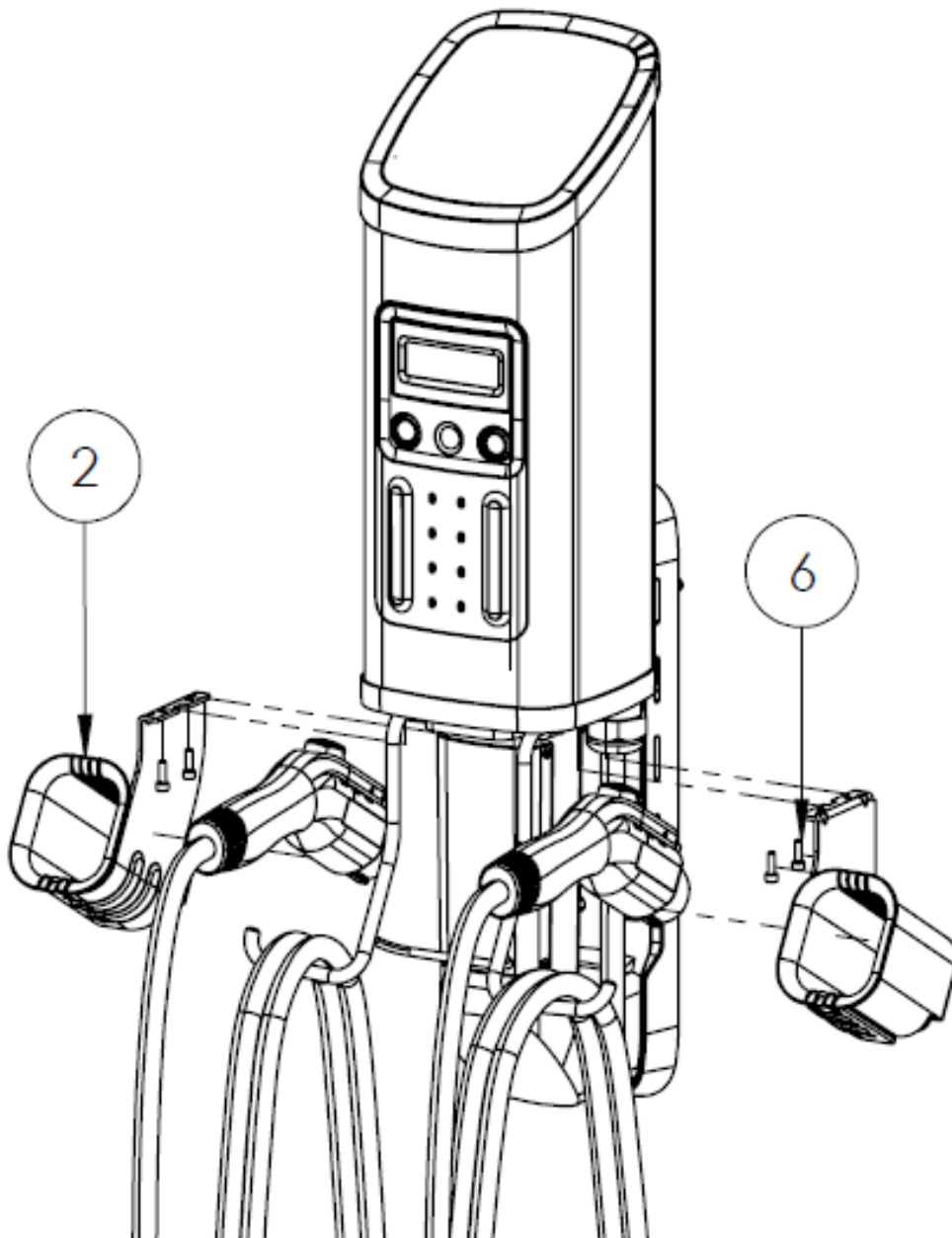
4. INSTALL CABLE RACK



SL. NO	DESCRIPTION	QTY	TOOL REQUIRED
03	CABLE RACK	01	-
07	CABLE RACK SCREWS - M4 X 6mm	04	2mm ALLEN KEY

5. INSTALL CABLE HOLSTERS

Note: A 8" (200 MM) SHANK, 4 MM ALLEN WRENCH IS REQUIRED TO ATTACH THE CABLE HOLSTERS TO THE CHARGING STATION



SL. NO	DESCRIPTION	QTY	TOOL REQUIRED
02	HOLSTER ASSEMBLY	02	-
06	HOLSTER MOUNTING SCREWS - M5 X 10mm	04	4mm X 8" SHANK ALLEN KEY

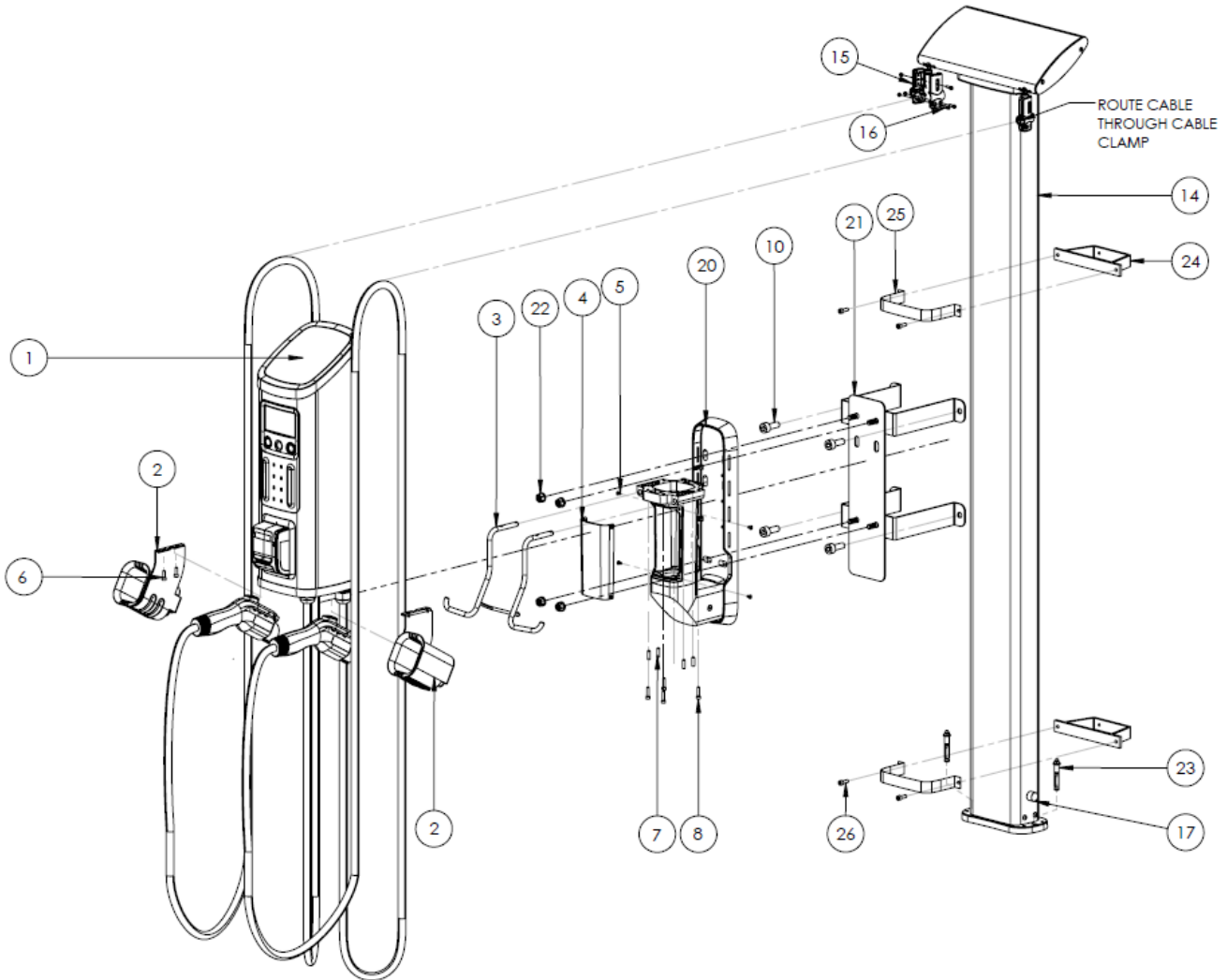
WALL MOUNT WITH CABLE MANAGEMENT SYSTEM (CMS)



Series 7/7+

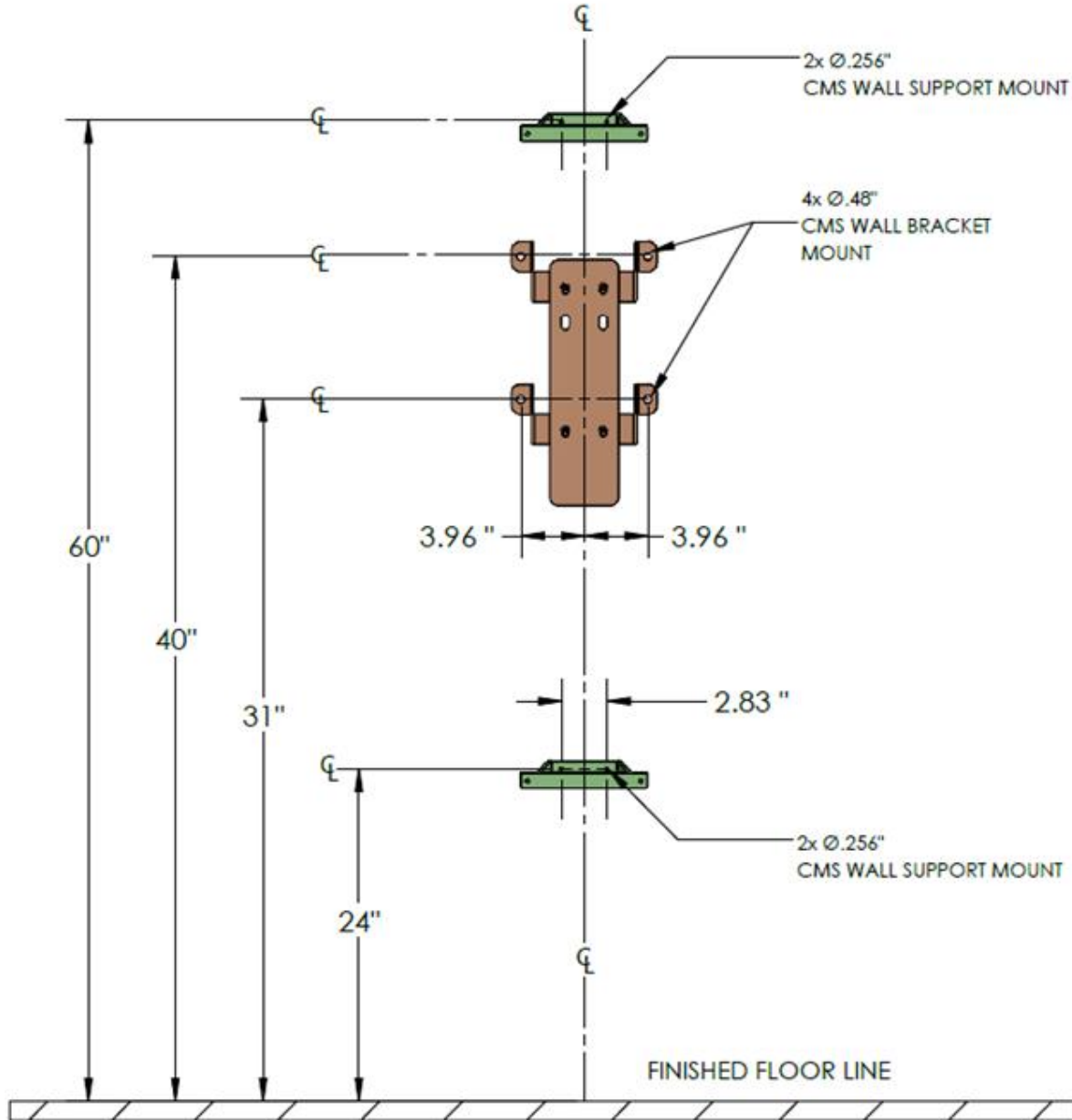
Series 8/8+

WALL MOUNT WITH CABLE MANAGEMENT SYSTEM INVENTORY SPECIFICATION



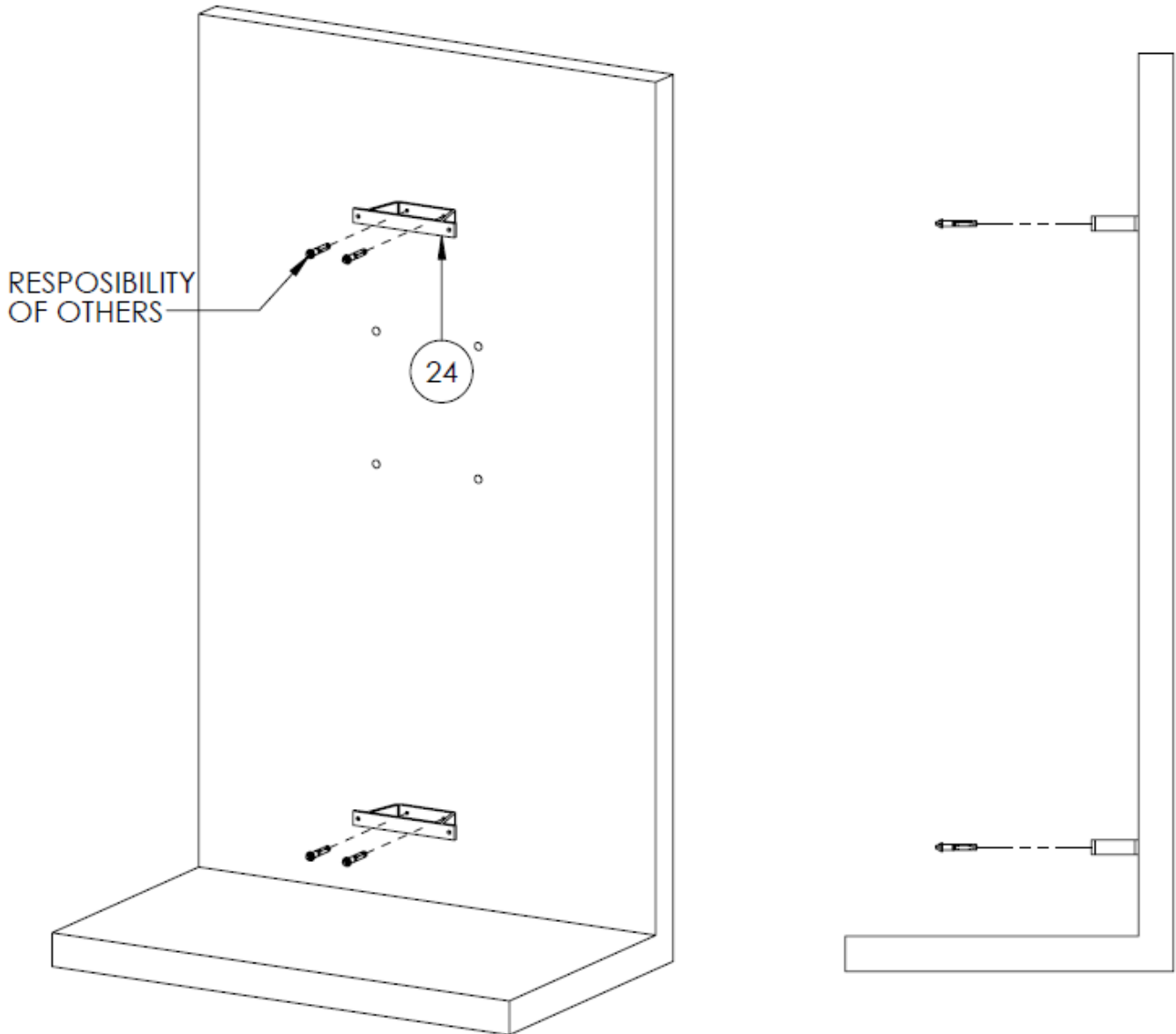
SL. NO	DESCRIPTION	QTY	TOOL REQUIRED
01	HEAD UNIT ASSEMBLY	01	-
02	HOLSTER ASSEMBLY	02	-
03	CABLE RACK	01	-
04	ACCESS PANEL COVER	01	-
05	ACCESS PANEL SCREWS - M4 X 10mm	04	2.5mm ALLEN KEY
06	HOLSTER MOUNTING SCREWS - M5 X 10mm	04	4mm X 8" SHANK ALLEN KEY
07	CABLE RACK SCREWS - M4 X 6mm	04	2mm ALLEN KEY
08	HEAD UNIT MOUNTING SCREWS - M5 X 20mm	04	4mm ALLEN KEY
10	WALL BRACKET ASSEMBLY ANCHORS (PROVIDED BY OTHERS)	-	-
14	CABLE MANAGEMENT SYSTEM ASSEMBLY	01	-
15	OUTPUT CABLE CLAMPS	02	-
16	OUTPUT CABLE CLAMP SCREWS - M4 X 10mm, M4 X 16mm, M4 X 20mm	02	3mm ALLEN KEY
17	CABLE MANAGEMENT SYSTEM COUNTER WEIGHT RETENSION BOLTS - M6 X 30mm	02	5mm ALLEN KEY
20	WALL MOUNT ASSEMBLY	01	-
21	WALL MOUNT BRACKET ASSEMBLY	01	-
22	WALL MOUNT BRACKET ASSEMBLY HEX NUT - M10	04	10mm SOCKET
23	CMS FLOOR ANCHORS (PROVIDED BY OTHERS)	-	-
24	CABLE MANAGEMENT SYSTEM WALL SUPPORT	02	-
25	CABLE MANAGEMENT SYSTEM WALL SUPPORT STRAPS	02	-
26	CABLE MANAGEMENT SYSTEM SUPPORT STRAP BOLTS - M6 X 12mm	04	5mm ALLEN KEY

1. USING THE DRAWING BELOW, MARK ALL AND DRILL ALL ANCHOR CENTERS FOR CMS SUPPORT BRACKETS AND WALL MOUNT BRACKET ASSEMBLY



2. MOUNT AND SECURE CMS BRACKETS TO WALL

Max Anchor Size = \varnothing 0.236"



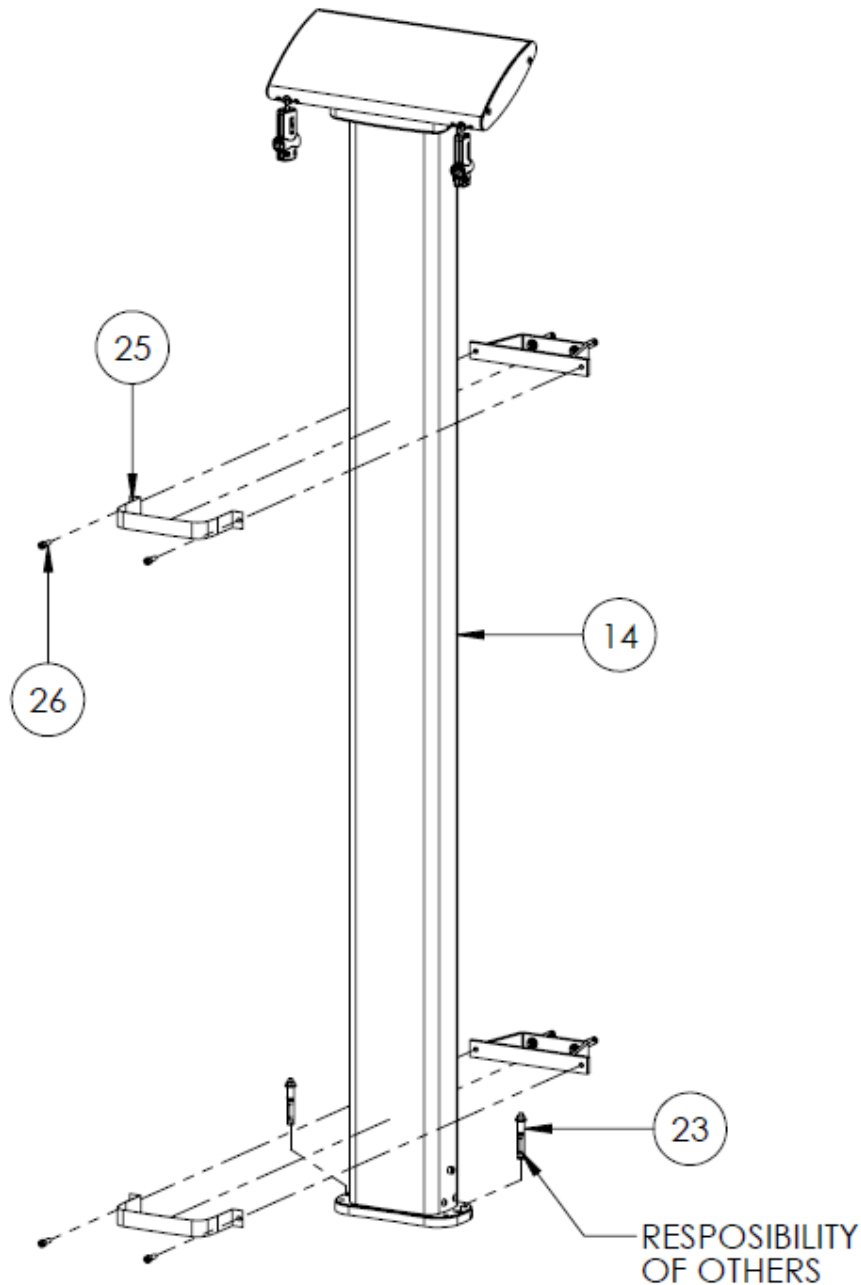
SL. NO	DESCRIPTION	QTY	TOOL REQUIRED
24	CABLE MANAGEMENT SYSTEM WALL SUPPORT	02	-

3. MOUNT AND SECURE CMS TO CMS BRACKETS AND TO FLOOR

⚠ CAUTION

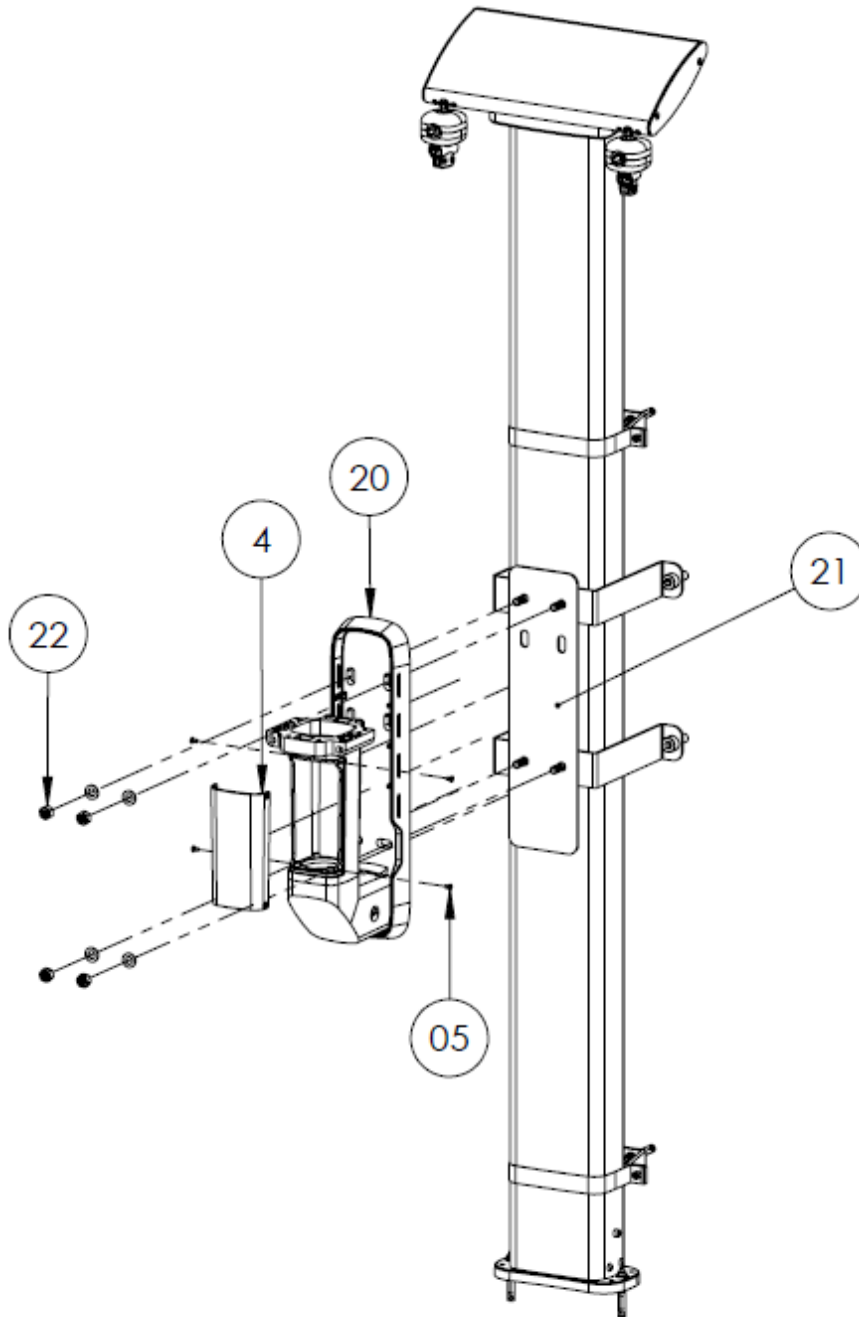
Refer to General Requirements section for Cable Management System Weights

Max Anchor Size = \varnothing 0.236"



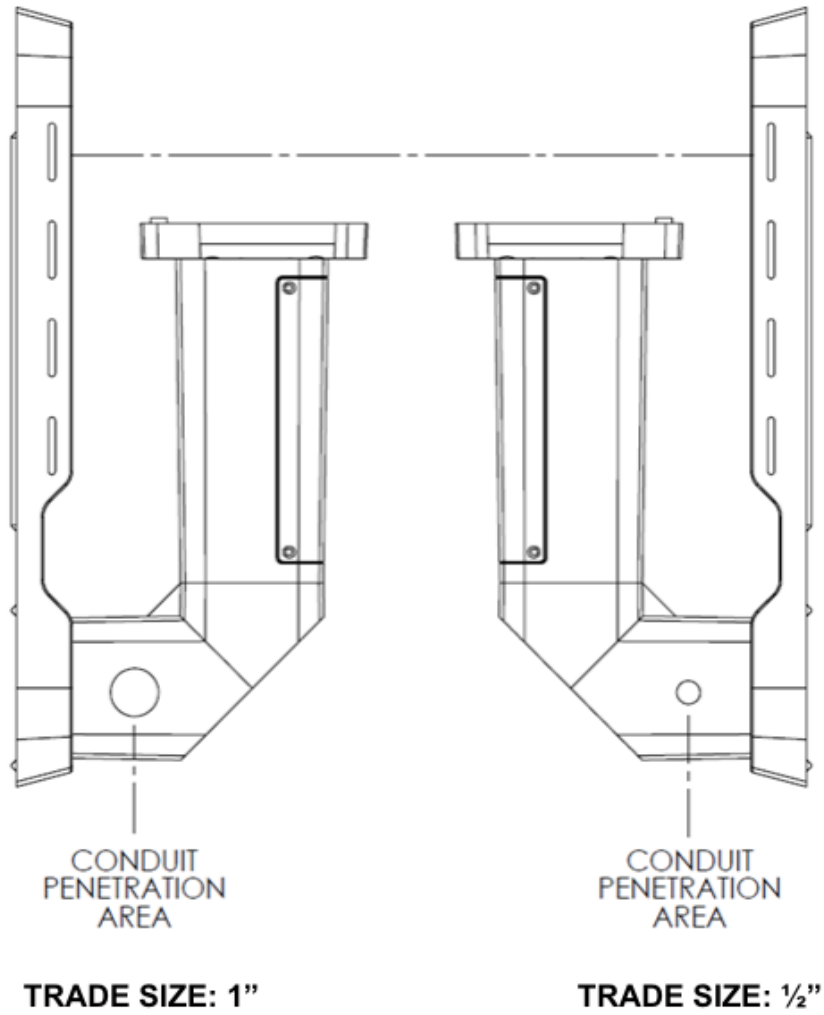
SL. NO	DESCRIPTION	QTY	TOOL REQUIRED
14	CABLE MANAGEMENT SYSTEM ASSEMBLY	01	
23	CMS FLOOR ANCHORS (PROVIDED BY OTHERS)	-	-
25	CABLE MANAGEMENT SYSTEM WALL SUPPORT STRAPS	02	-
26	CABLE MANAGEMENT SYSTEM SUPPORT STRAP BOLTS - M6 X 12mm	04	5mm ALLEN KEY

4. REMOVE ACCESS PANEL COVER AND INSTALL WALL MOUNT BRACKET ASSEMBLY AND WALL MOUNT ASSEMBLY



SL. NO	DESCRIPTION	QTY	TOOL REQUIRED
04	ACCESS PANEL COVER	01	-
05	ACCESS PANEL SCREWS - M4 X 10mm	04	2.5mm ALLEN KEY
20	WALL MOUNT ASSEMBLY	01	-
21	WALL MOUNT BRACKET ASSEMBLY	01	-
22	WALL MOUNT BRACKET ASSEMBLY HEX NUT - M10	04	10mm SOCKET

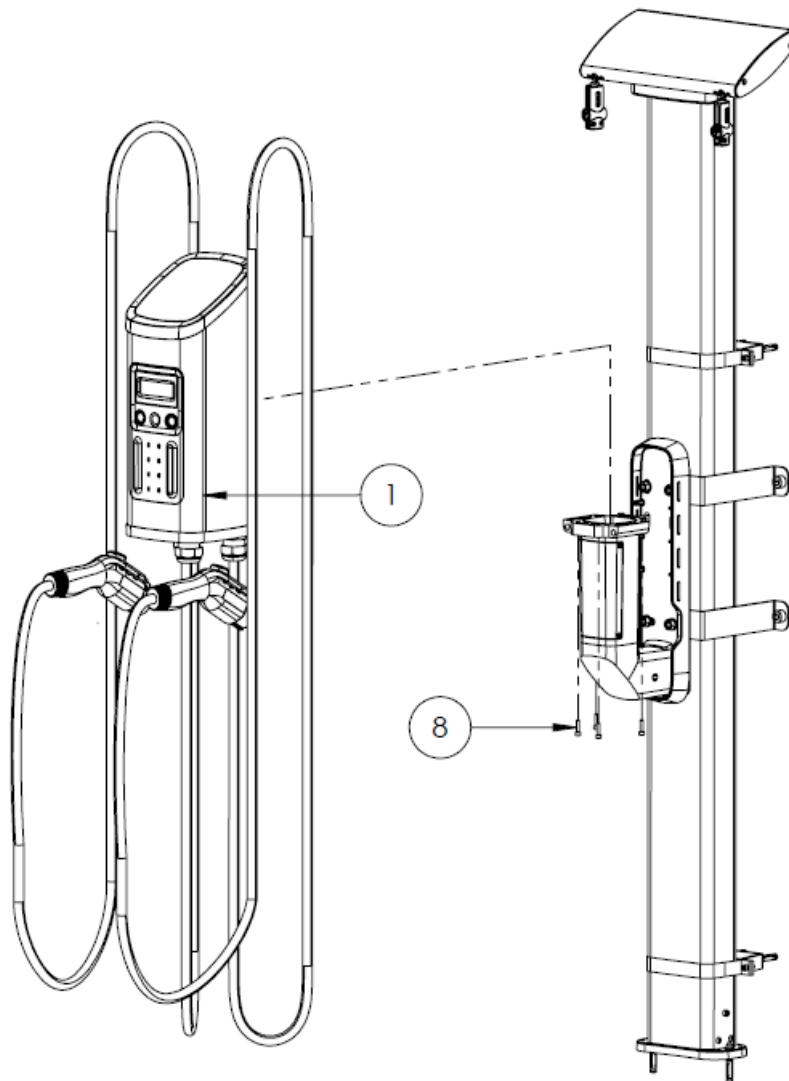
5. **CONNECT CONDUIT TO WALL MOUNT ASSEMBLY**



6. INSTALL CHARGING HEAD UNIT

⚠ CAUTION

Refer to General Requirements section for station weights



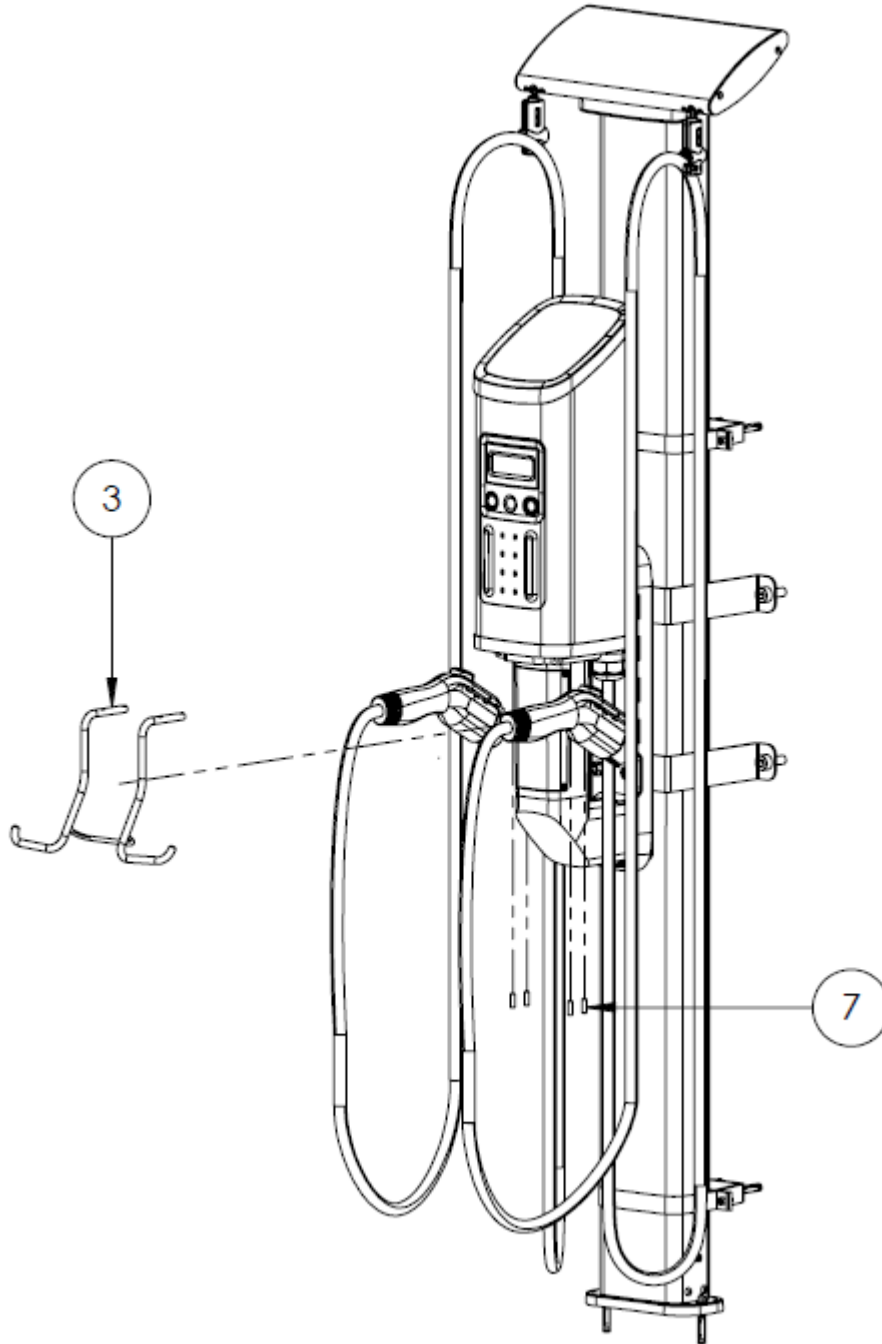
SL. NO	DESCRIPTION	QTY	TOOL REQUIRED
01	HEAD UNIT ASSEMBLY	01	-
08	HEAD UNIT MOUNTING SCREWS - M5 X 20mm	04	4mm ALLEN KEY

⚠ WARNING

VERIFY ALL CONDUCTORS ARE DE-ENERGIZED. COMPLETE ALL ELECTRICAL CONNECTIONS PRIOR TO STEP 4. SEE SYSTEM REQUIREMENTS SECTION FOR CONNECTION DETAILS.

RE-INSTALL ACCESS PLATE COVER UPON COMPLETION OF ELECTRICAL CONNECTIONS.

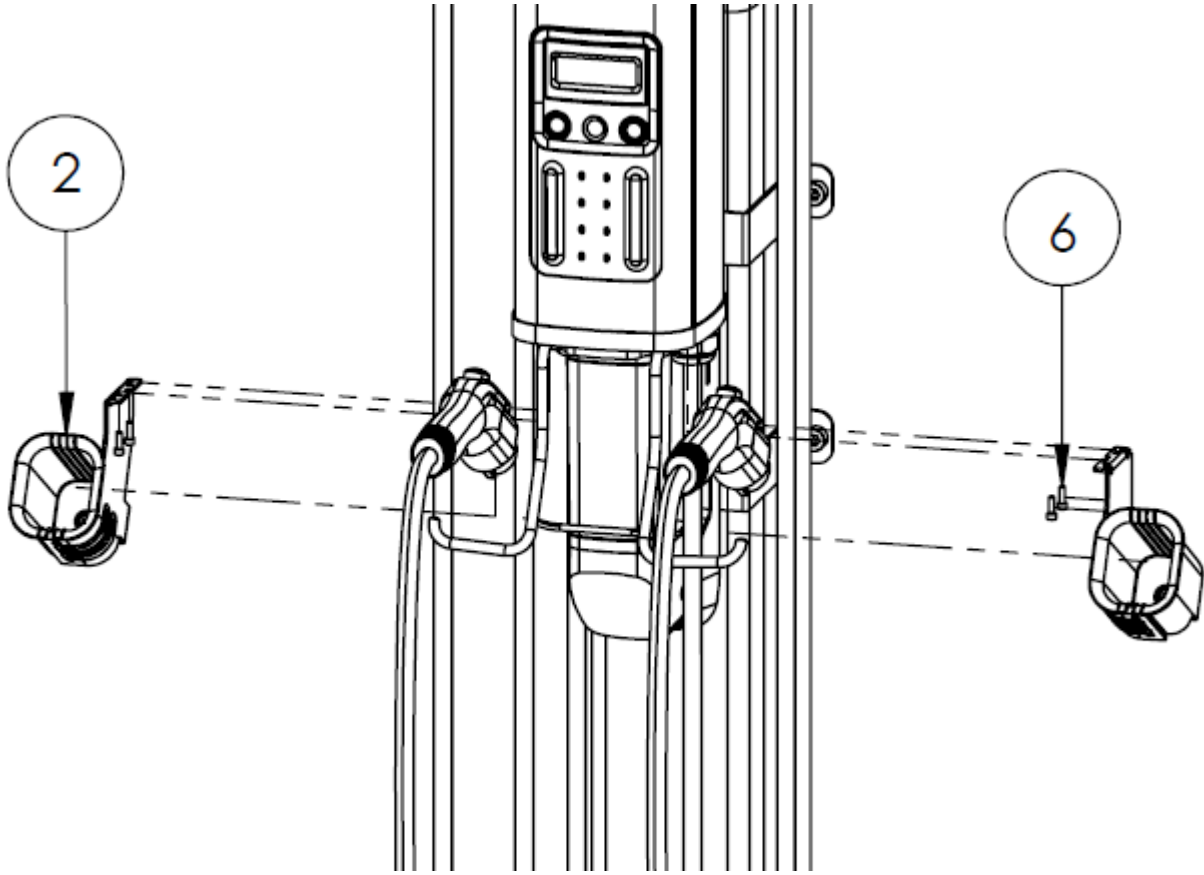
7. INSTALL CABLE RACK (CABLE RACK OPTIONAL WITH CMS)



SL. NO	DESCRIPTION	QTY	TOOL REQUIRED
03	CABLE RACK	01	-
07	CABLE RACK SCREWS - M4 X 6mm	04	2mm ALLEN KEY

8. INSTALL CABLE HOLSTERS

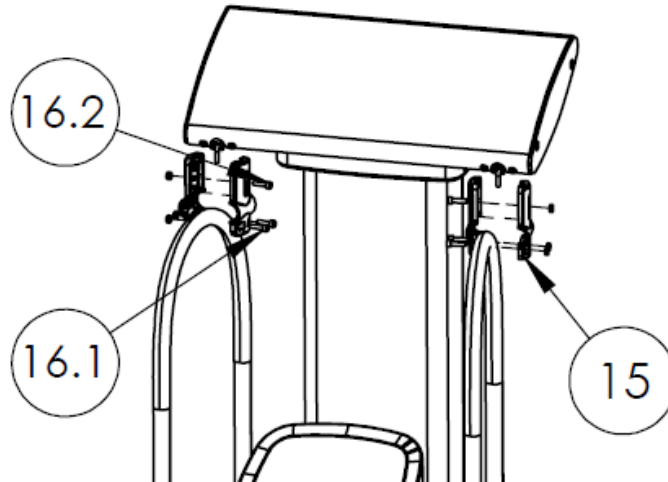
Note: A 8" (200 MM) SHANK, 4 MM ALLEN WRENCH IS REQUIRED TO ATTACH THE CABLE HOLSTERS TO THE CHARGING STATION



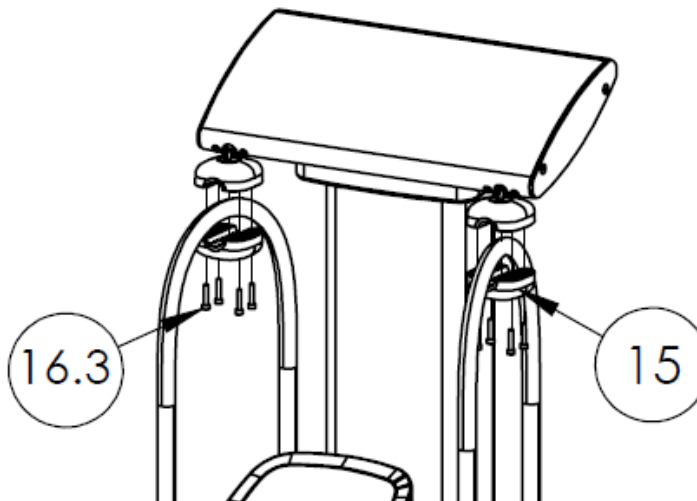
SL. NO	DESCRIPTION	QTY	TOOL REQUIRED
02	HOLSTER ASSEMBLY	02	-
06	HOLSTER MOUNTING SCREWS - M5 X 10mm	04	4mm X 8" SHANK ALLEN KEY

9. INSTALL CABLE MANAGEMENT SYSTEM OUTPUT CABLE CLAMPS

30A/48A Cable Clamp



80A Cable Clamp

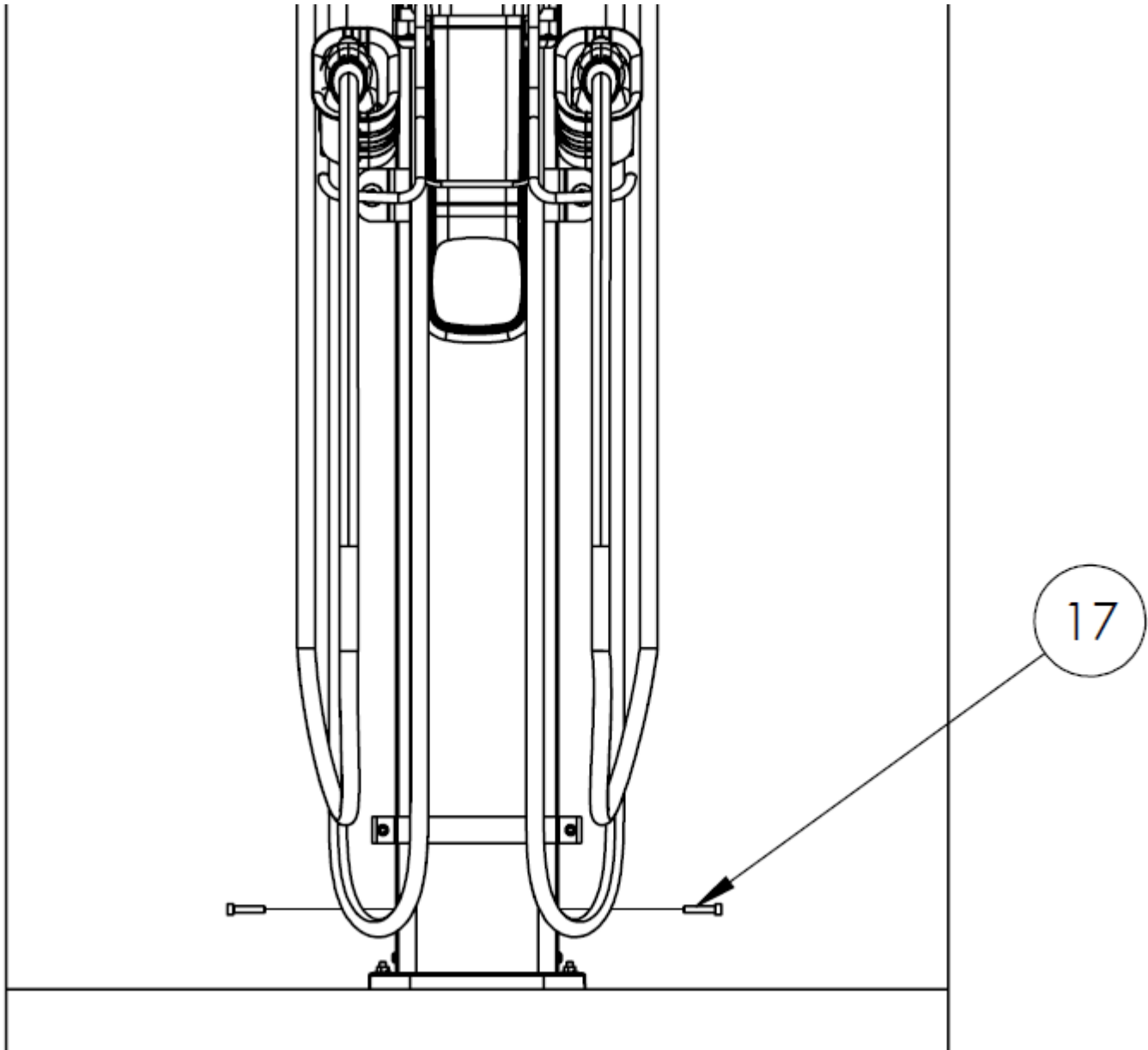


18' Cable – Install clamp 9' from the output cable J1772 coupler

25' Cable – Install clamp 9' from the output cable J1772 coupler

SL. NO	DESCRIPTION	QTY	TOOL REQUIRED
15	OUTPUT CABLE CLAMPS	02	-
16.1	OUTPUT CABLE CLAMP SCREWS - M4 X 10mm	04	3mm ALLEN KEY
16.2	OUTPUT CABLE CLAMP SCREWS - M4 X 16mm	02	3mm ALLEN KEY
16.3	OUTPUT CABLE CLAMP SCREWS - M4 X 20mm	08	3mm ALLEN KEY

10. REMOVE CABLE MANAGEMENT SYSTEM (CMS) COUNTERWEIGHT RETENTION BOLTS



SL. NO	DESCRIPTION	QTY	TOOL REQUIRED
17	CABLE MANAGEMENT SYSTEM COUNTER WEIGHT RETENSION BOLTS - M6 X 30mm	02	5mm ALLEN KEY

Start-Up

1. STATION REGISTRATION

NOTICE

*Once your stations have been installed and prior to initial energization, **please contact Customer Service at 1-800-663-5633 or implementation@semaconnect.com to complete station enrollment.***

If modified output configurations are needed, please provide the following information for each station:

- Panel voltage: **(Example - 120/208V or 120/240V)**
- Circuit numbers & amperage feeding the charging stations: **(Example – CKT 37/39 2 Pole 60A)**
- Serial Numbers connected to each circuit number: **(Example: BAE***** Circuit 37/39)**

If load management is needed, please provide the following information for each station:

- Panel(s) name: **(Example – PNL1B)**
- Panel(s) voltage & amperage: **(Example - 120/208V 225A)**
- Circuit numbers & amperage feeding the charging stations: **(Example – CKT 37/39 2 Pole 100A)**
- Serial Numbers connected to each circuit number: **(Example: BAE***** Circuit 37/39)**

2. ENERGIZATION AND TROUBLE SHOOTING

NOTICE

After installation, station registration, and load management and/or modified output configurations have been completed (if applicable) the SemaConnect station is ready to be energized. After energizing the station, both at-a-glance LED lights should illuminate BLUE. If both station at-a-glance LED lights do not illuminate BLUE, please refer to the following troubleshooting guidance:

- No LED lights or LCD screen: Voltage not present. Verify proper wiring, voltage, and circuit breaker(s) status
- Both LED lights RED, LCD screen displays, “Customer Service 1-800-663-5633”: Station registration needs to be completed
- Both LED lights RED, LCD screen displays, “GF 0800”: Grounding problem. Check/verify solidly grounded electrical system integrity
- One LED light RED, one LED light BLUE, LCD screen displays, “GF 0100” or “GF0900”: Voltage is not present to side of station illuminated RED. Verify proper wiring, voltage, and circuit breaker(s) status
- Both LED lights PURPLE, LCD screen displays, “Station Offline, Limited Access”: Station not communicating with SemaConnect Network platform due to inadequate cellular signal

Please contact SemaConnect Customer Service at 1-800-663-5633 for any questions or issues not listed.

3. HOUSEKEEPING

⚠ WARNING

SemaConnect EV charging stations may be cleaned in accordance with the following guidance:

- Use clean, soft cloth along with mild detergent to wash the dirt off
- Pour water gently from the top and use a wet/dry cloth to clean all the sides
- **Do not use excessive water pressure**
- **Do not use strong detergents or any other chemicals (acids, petrol, thinner, or any other solvent)**
- **Avoid exerting excessive pressure on the device while cleaning**
- **Do not open the device**
- **Do not use a vacuum cleaner**