

# Leviton Load Center Indoor Panel

## APPLICATION

Leviton Indoor Load Centers are easy to install and feature a white enclosure housing white circuit breakers for a modern, appealing unit. An optional observation window in the cover allows at-a-glance operating status of all the circuit breakers.

## FEATURES AND BENEFITS

- Terminate all hot and neutral wires at custom lugs in the panel, not at the circuit breaker\*
- The entire panel can be wired at rough-in without circuit breakers installed
- At final installation, simply plug-on the circuit breaker
- No pigtails on circuit breakers
- Easily invertible for bottom feed applications
- Copper bus is standard
- Notches stamped into the enclosure for cable ties promote secure and neat wiring
- Hydraulic-Magnetic trip technology ensures precise tripping even in extreme temperature ranges\*\*
- Leviton GFCI, AFCI and Dual Function circuit breakers feature our patented reset lockout and will not reset if ground- or arc-fault protection is compromised
- Leviton circuit breakers with GFCI technology stand alone as the only circuit breakers on the market that exceed the newest UL requirements for ground-fault protection
- Intuitive LEDs help communicate trip condition and type of fault (AF/GF) and remain illuminated even when the circuit breaker is in the tripped state
- Color: White

\*For applications up to 60A when using copper wire; or 50A when using aluminum wire

\*\*From -40°C to 85°C

## ELECTRICAL SPECIFICATIONS

Short Circuit Current Rating: 22 KA

Voltage: 120/240 VAC

Busbar rating (all panels): 225A

## MECHANICAL SPECIFICATIONS

Busbar Material: Copper, Bright Tin-Plated

Enclosure Material: Galvanized Steel, White Powder Coat

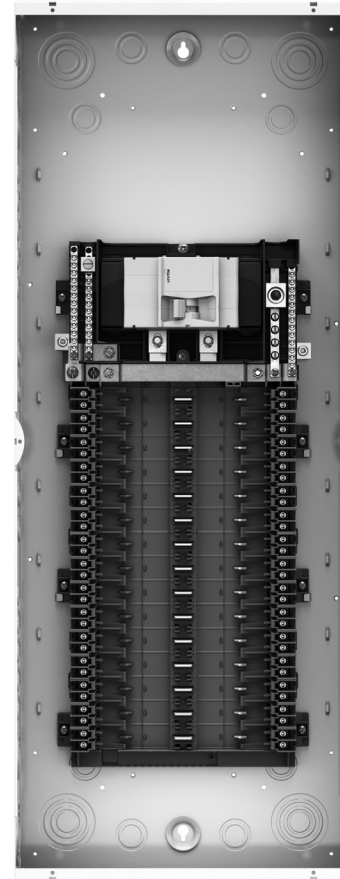
Ground Connection: 4 AWG - 2/0 AWG Cu/Al

Supply Connections: 3 AWG - 300 MCM Cu/Al

## ENVIRONMENTAL SPECIFICATIONS

NEMA Enclosure Type: NEMA 1 Indoor

Operating Temperature: -40°C to 85°C



Cat. No. LP210-MB

## STANDARDS & CERTIFICATIONS

UL 67: File E480404

UL 50

UL 50E

UL 869A

CSA Std. C22.2 No. 29-15 (Canadian versions)

Certificate 70170209

## WARRANTY INFORMATION

For Leviton's limited product warranty, visit [www.leviton.com](http://www.leviton.com)

## Leviton Mfg. Co., Inc.

201 North Service Road, Melville, NY 11747 Tech Line: 1-800-824-3005 Fax: 1-800-832-9538 [www.leviton.com](http://www.leviton.com)

© 2019 Leviton Manufacturing Co., Inc. All rights reserved. Subject to change without notice.

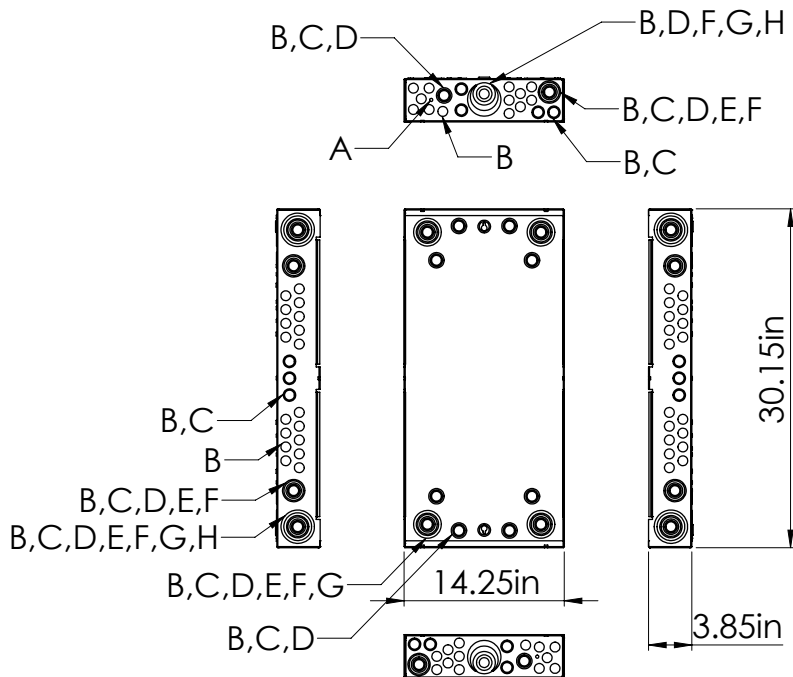
**INDOOR PANEL SPECIFICATIONS**

CAT. NO.	NUMBER OF SPACES	CURRENT RATING (A)	AGENCY LISTING
LP210-MB	20	100	UL
LP212-MB		125	
LP215-MB		150	
LP220-MB		200	
LP212-ML		125	
LP210-CBD		100	UL, CSA
LP210-CBW		125	
LP212-CBD			
LP212-CBW			
LP212-CLD			
LP212-CLW			

**KNOCKOUT SIZE TABLE**

LABEL	SIZE (IN)
A	1/4
B	1/2
C	3/4
D	1
E	1-1/4
F	1-1/2
G	2
H	2-1/2

**DIMENSIONAL DRAWINGS**



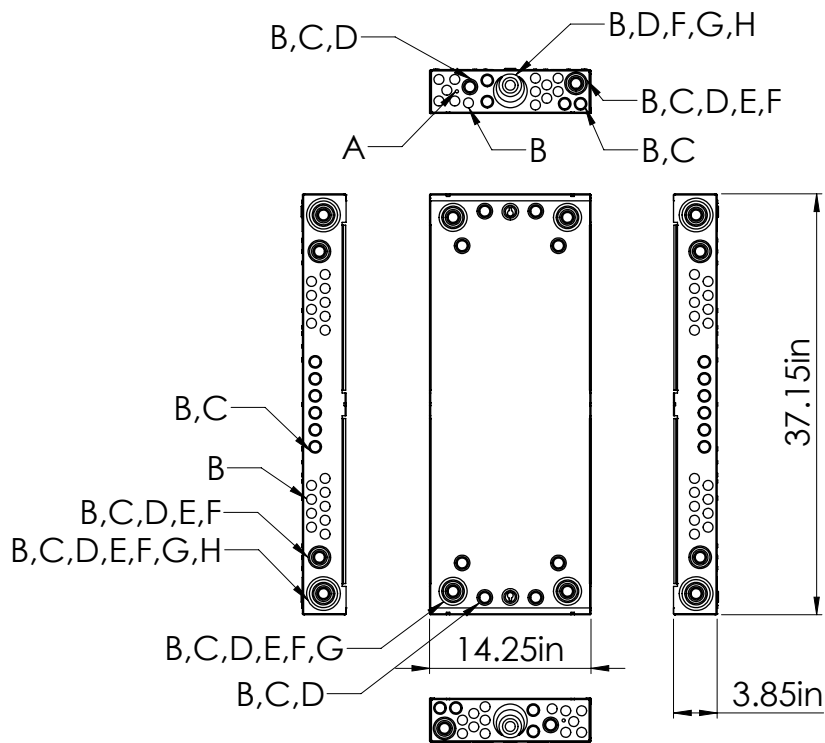
**Leviton Mfg. Co., Inc.**

201 North Service Road, Melville, NY 11747 Tech Line: 1-800-824-3005 Fax: 1-800-832-9538 www.leviton.com  
 © 2019 Leviton Manufacturing Co., Inc. All rights reserved. Subject to change without notice.

## INDOOR PANEL SPECIFICATIONS

CAT. NO.	NUMBER OF SPACES	CURRENT RATING (A)	AGENCY LISTING
LP310-MB	30	100	UL
LP312-MB		125	
LP315-MB		150	
LP320-MB		200	
LP320-ML			
LP310-CBD		100	UL, CSA
LP310-CBW		150	
LP315-CBD			
LP315-CBW		200	
LP320-CBD			
LP320-CBW			
LP320-CLD			
LP320-CLW			

## DIMENSIONAL DRAWINGS



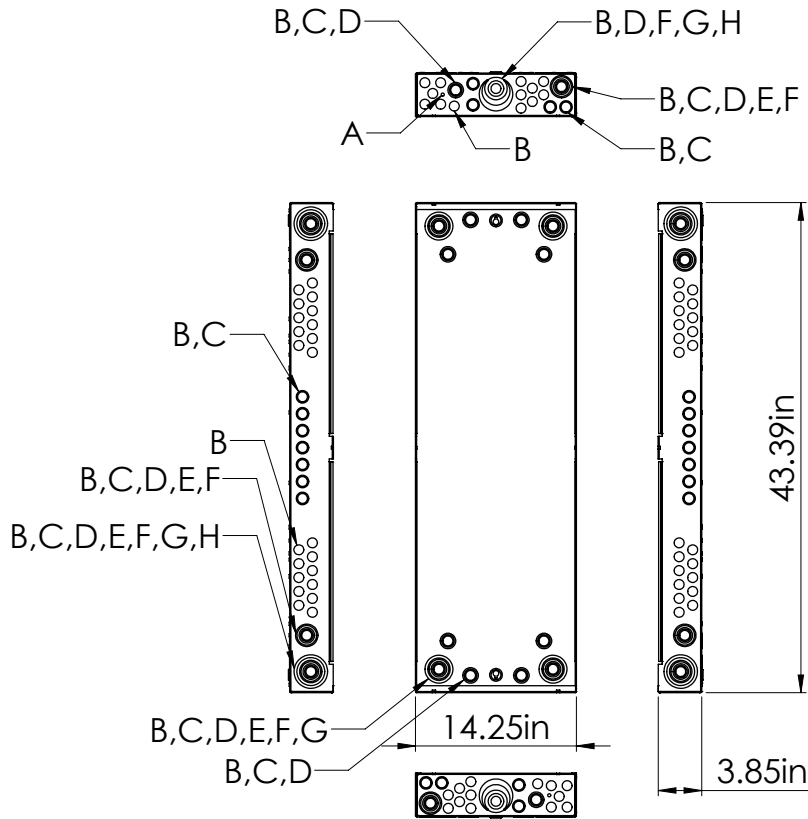
### Leviton Mfg. Co., Inc.

201 North Service Road, Melville, NY 11747 Tech Line: 1-800-824-3005 Fax: 1-800-832-9538 www.leviton.com  
 © 2019 Leviton Manufacturing Co., Inc. All rights reserved. Subject to change without notice.

**INDOOR PANEL SPECIFICATIONS**

CAT. NO.	NUMBER OF SPACES	CURRENT RATING (A)	AGENCY LISTING
LP415-MB	42	150	UL
LP420-MB		200	
LP422-MB		225	
LP422-ML			
LP410-CBD		100	UL, CSA
LP410-CBW			
LP412-CBD		125	
LP412-CBW			
LP415-CBD		150	
LP415-CBW			
LP420-CBD		200	
LP420-CBW			
LP422-CBD		225	
LP422-CBW			
LP422-CLD			
LP422-CLW			

**DIMENSIONAL DRAWINGS**



**Leviton Mfg. Co., Inc.**

201 North Service Road, Melville, NY 11747 Tech Line: 1-800-824-3005 Fax: 1-800-832-9538 www.leviton.com  
 © 2019 Leviton Manufacturing Co., Inc. All rights reserved. Subject to change without notice.

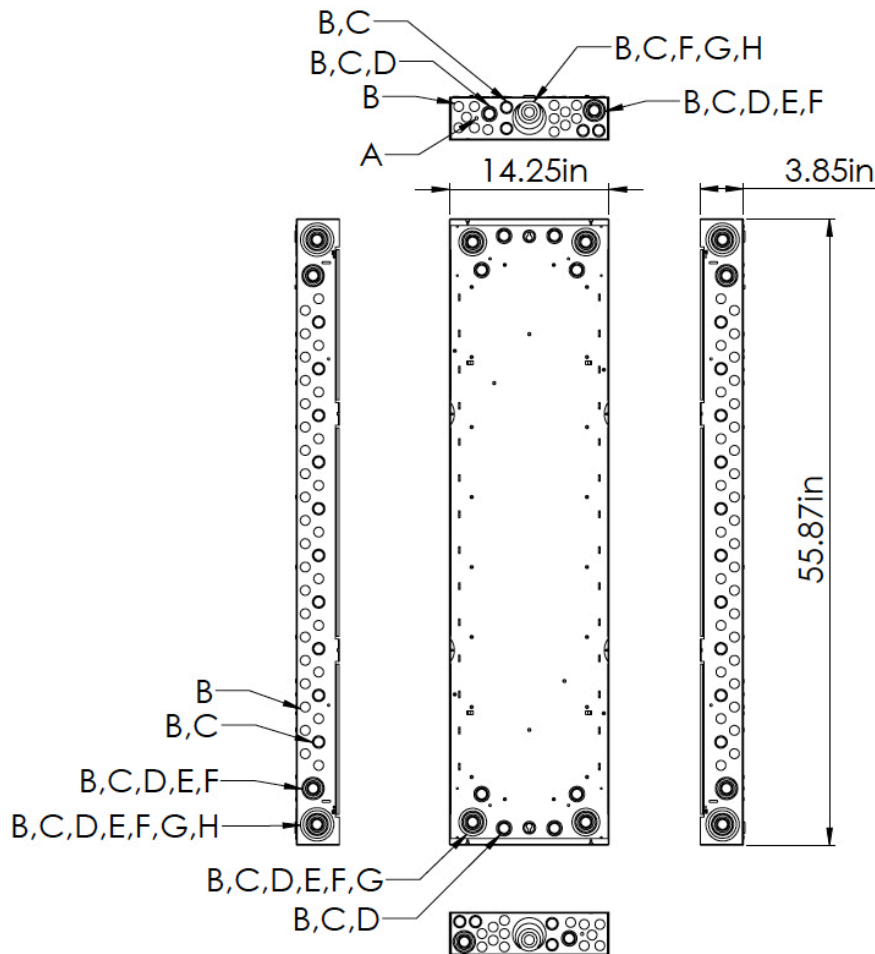
## INDOOR PANEL SPECIFICATIONS

CAT. NO.	NUMBER OF SPACES	CURRENT RATING (A)	AGENCY LISTING
LP620-MB	66	200	UL
LP622-MB		225	
LP622-1L			
LP620-CBD		200	UL, CSA
LP620-CBW			
LP622-CBD		225	
LP622-CBW			
LP622-CLD			
LP622-CLW			

## KNOCKOUT SIZE TABLE

LABEL	SIZE (IN)
A	1/4
B	1/2
C	3/4
D	1
E	1-1/4
F	1-1/2
G	2
H	2-1/2

## DIMENSIONAL DRAWINGS



### Leviton Manufacturing Co., Inc.

201 North Service Road, Melville, NY 11747-3138  
 Telephone: 1-800-323-8920 • Fax: 1-800-832-9538 • Tech Line: 1-800-824-3005 - Mon-Fri 8am-10pm EST, Saturday 9am-7pm EST

### Leviton Manufacturing of Canada, Ltd.

165 Hymus Boulevard, Pointe Claire, Quebec H9R 1E9 • Telephone: 1-800-469-7890 • Fax: 1-800-563-1853

### Leviton S. de R.L. de C.V.

Lago Tana 43, Mexico DF, Mexico CP 11290 • Tel. (+52) 55-5082-1040 • Fax. (+52) 5386-1797 • www.leviton.com.mx

Visit our website at [www.leviton.com](http://www.leviton.com)

© 2019 Leviton Manufacturing Co., Inc. All rights reserved. Subject to change without notice.



TS-072919/H19-dp