

R841

ELECTROMECHANICAL RELAY – LOW VOLTAGE



R841C1151



CONTROL

- all or nothing (on/off)
- with a 24 V transformer (except the R841D1036 w/o a transformer)
- compatible with the T822K1018U and T87K1007U thermostats (the R841D1036 w/o a transformer is also compatible with the STE241 thermostat)
- installing more than four relays without a transformer to the same thermostat is not recommended (two relays without a transformer if connected to a STE241 thermostat)
- no additional relay can be connected to the same control circuit as a relay with a transformer

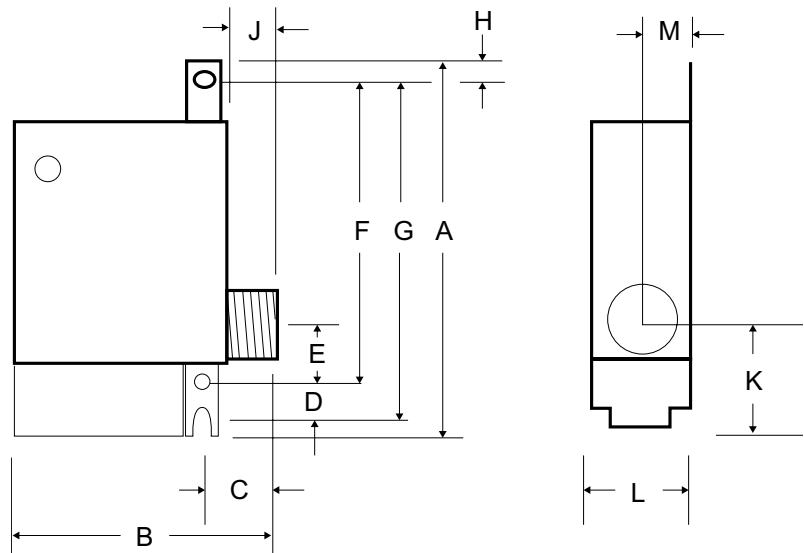
INSTALLATION

- these relays can be installed in an external junction box
- these relays may or may not be installed in the junction box of the heating unit (see the accessories table for the heating unit)

WARRANTY

- one year

TECHNICAL DRAWINGS



| PRODUCT | DESCRIPTION |
|-----------|---|
| R841C1151 | ELECTROMECHANICAL RELAY C/W TRANSFORMER 24 V [6000 W @ 600 V] |
| R841D1036 | ELECTROMECHANICAL RELAY W/O TRANSFORMER 24 V [6000 W @ 600 V] |

| DIMENSIONS | | | | | | | | | | | | |
|------------|-------|-------|-----|-------|-----|---------|-------|-----|------|---------|-------|-----|
| KEY | A | B | C | D | E | F | G | H | J | K | L | M |
| IN. | 3 1/4 | 2 3/8 | 3/4 | 15/32 | 3/4 | 2 29/32 | 3 3/8 | 1/4 | 7/16 | 1 15/32 | 1 1/2 | 5/8 |