



INDUSTRIAL
COMMERCIAL
RESIDENTIAL

A-21 STRAIGHT BLADE RECEPTACLES

TESTING & CODE COMPLIANCE

- UL Listed: 1263, 1231, 1233: (file no. E15058). CSA file 6914 (6233-01). 83 & 41: UL (file no. E15012), CSA file 2081 (6221-02). 5716N to 498, meets UL Federal Spec. WC-596 (file no. E2369).
- CSA Certified to C22.2 no. 42.
- NOM Certified, except as noted.

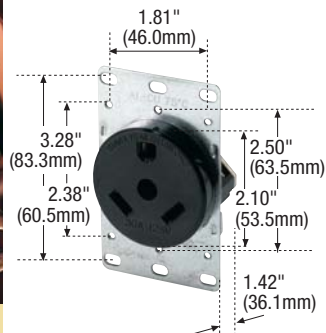
MATERIAL CHARACTERISTICS

Temperature Rating: -20°C (without impact) to 75°C max. continuous. 5716N: V2 rated; -40°C (without impact) to 105°C max. continuous.

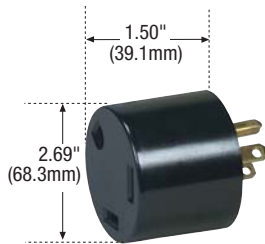


Commercial Specification Grade Straight Blade Power Devices

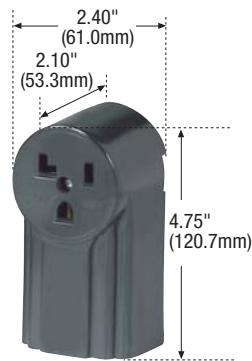
2 Pole, 3 Wire Grounding
NEMA TT-30, 5-30
30A 125V



1263



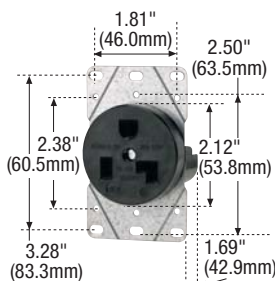
1264



1231



41



5716N

Power Devices

FEATURES

- Heavy gauge steel mounting strap zinc-plated for corrosion resistance.
- Receptacles for use with copper or aluminum wire.
- Surface receptacles have patented lay-in terminals and accept up to #4 wire.
- Universal plugs include blades for 30A configurations.
- Surface receptacles 0.75" (19.05mm) and 1.0" (25.4mm) concentric knockouts and adjustable cord clamp allow for wiring from bottom or back.
- Flush receptacles fit one or two gang enclosures.
- High strength glass reinforced nylon body resists breakage in high abuse areas for Catalog No. 5716N.

NEMA TT-30 Rating 30A 125V

Receptacles

Description	Color	Catalog No.
Flush	Brown	1263*
Panel Mount (by special order only)	Brown	U1263*

*Not NOM

Plugs

Description	Color	Catalog No.
Angle Travel Trailer	Black	83

Adapter

Description	Color	Catalog No.
Travel Trailer Plug to Female Receptacle - 15A or 20A 125V NEMA 5-15R or 5-20R	Black	1264†

†1264 is not CSA approved

NEMA 5-30 Rating 30A 125V

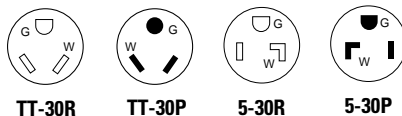
Receptacles

Description	Color	Catalog No.
Surface	Black	1231†
Flush	Black	5716N
Flush	Brown	1233

Plugs

Description	Color	Catalog No.
Angle Universal - Vinyl	Black	41

†Not UL Listed



TT-30R

TT-30P

5-30R

5-30P

Commercial Specification Grade Straight Blade Power Devices

2 Pole, 3 Wire Grounding
NEMA 5-50, 6-30
50A 125V, 30A 250V



INDUSTRIAL
COMMERCIAL
RESIDENTIAL

A-22 STRAIGHT BLADE RECEPTACLES

TESTING & CODE COMPLIANCE

- Listed to UL 498 & meets Federal Spec. WC-596 (file no. E2369) except as noted.
- Receptacles: (file no. E15058);
- Plugs: (file no. E15012).
- CSA Certified to C22.2 no. 42 (file no. LR7087);
- Plugs: (file no. 2081 (6221-02)),
- Receptacle: (file no. 6914 (6233-01)).
- NOM Certified

MATERIAL CHARACTERISTICS

Temperature Rating:
-20°C (without impact) to 75°C max. continuous.
5700N, V2 rated;
-40°C (without impact) to 105°C max. continuous.

Power Devices

FEATURES

- Heavy gauge steel mounting strap zinc-plated for corrosion resistance.
- Receptacles for use with copper or aluminum wire.
- Surface receptacles have patented lay-in terminals and accept up to #4 wire.
- Universal plugs include blades for 50A configurations.
- Surface receptacles 0.75" (19.05mm) and 1.0" (25.4mm) concentric knockouts and adjustable cord clamp allow for wiring from bottom or back.
- Flush receptacles fit one or two gang enclosures.
- High strength glass reinforced nylon body resists breakage in high abuse areas for Catalog No. 5700N.

NEMA 5-50 Rating 50A 125V

Receptacles

Description	Color	Catalog No.
Surface	Black	1251
Flush	Brown	1253

Plugs

Description	Color	Catalog No.
Angle Universal - Vinyl	Black	41

NEMA 6-30 Rating 30A 250V

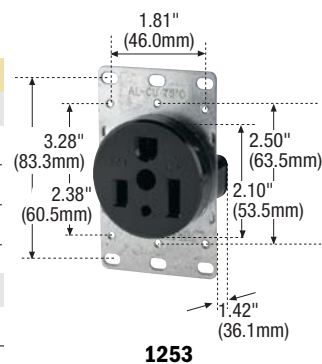
Receptacles

Description	Color	Catalog No.
Surface	Black	1232
Flush	Black	5700N
Flush	Brown	1234
Flush with 1 Gang Brass Finish Wallplate	Brown	4234*

*Not NOM

Plugs

Description	Color	Catalog No.
Angle Universal - Vinyl	Black	42



1253



41



5-50R



5-50P



6-30R



6-30P



INDUSTRIAL
COMMERCIAL
RESIDENTIAL

A-23 STRAIGHT BLADE RECEPTACLES

TESTING & CODE COMPLIANCE

• Listed to UL 498 & meets Federal Spec. WC-596 (file no. E2369) except as noted.

Receptacles: (file no. E15058);

Plugs: (file no. E15012).

• CSA Certified to C22.2 no. 42

(file no. LR7087);

Plugs: (file no. 2081

(6221-02),

Receptacle: (file no. 6914

(6233-01).

• NOM Certified.

MATERIAL CHARACTERISTICS

Temperature Rating:

-20°C (without impact) to 75°C

max. continuous. 5795N and 5709N:

V2 rated; -40°C (without impact) to 105°C

max. continuous.



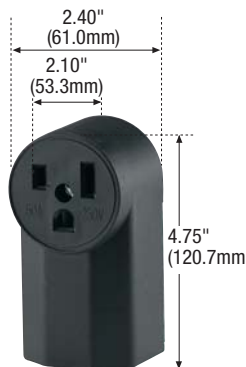
Commercial Specification Grade Straight Blade Power Devices

2 Pole, 3 Wire Grounding
NEMA 6-50, 7-30,
50A 250V, 30A 277V.

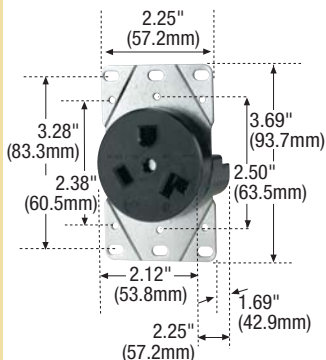
Power Devices

FEATURES

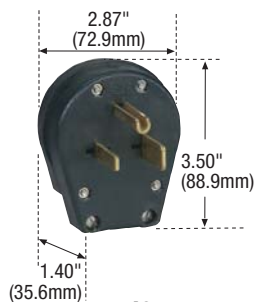
- Heavy gauge steel mounting strap zinc-plated for corrosion resistance.
- Receptacles for use with copper or aluminum wire.
- Surface receptacles have patented lay-in terminals and accept up to #4 wire.
- Universal plugs include blades for 50A configurations.
- Surface receptacles 0.75" (19.05mm) and 1.0" (25.4mm) concentric knockouts and adjustable cord clamp allow for wiring from bottom or back.
- Flush receptacles fit one or two gang enclosures.
- High strength glass reinforced nylon body resists breakage in high abuse areas for Catalog No. 5795N and 5709N.



1252



5795N



42

NEMA 6-50 Rating 50A 250V

Receptacles

Description	Color	Catalog No.
Surface	Black	1252
Flush	Black	5709N
Flush	Brown	1254*

*Not NOM

Plugs

Description	Color	Catalog No.
Angle Universal - Vinyl	Black	42

NEMA 7-30 Rating 30A 277V

Receptacles

Description	Color	Catalog No.
Flush	Black	5795N



6-50R



6-50P



7-30R



7-30P

Commercial Specification Grade Straight Blade Power Devices

3 Pole, 3 Wire Non-Grounding
NEMA 10-20, 10-30
20A 125/250V
30A 125/250V



INDUSTRIAL
COMMERCIAL
RESIDENTIAL

A-24 STRAIGHT BLADE RECEPTACLES

TESTING & CODE COMPLIANCE

- UL file:
- Receptacles:
(file no. E15058);
- Plugs:
(file no. E15012).
- NOM Certified.

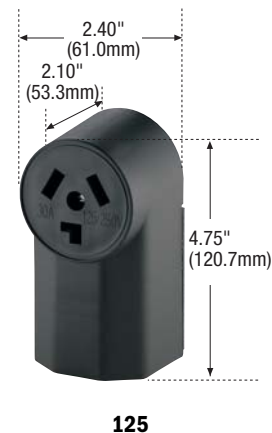
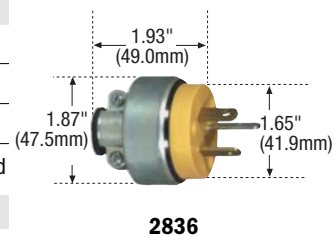
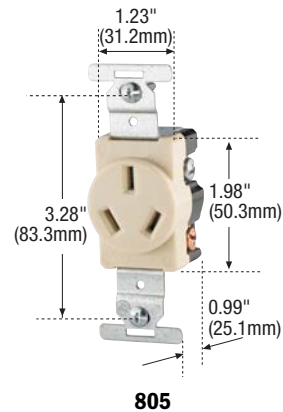
MATERIAL CHARACTERISTICS

Temperature Rating:
-20°C (without
impact) to 75°C
max. continuous.

Power Devices

FEATURES

- Heavy gauge steel mounting strap zinc-plated for corrosion resistance.
- Receptacles for use with copper or aluminum wire.
- Surface receptacles have patented lay-in terminals and accept up to #4 wire.
- Universal plugs include blades for 30A configurations.
- Surface receptacles 0.75" (19.05mm) and 1.0" (25.4mm) concentric knockouts and adjustable cord clamp allow for wiring from bottom or back.
- Flush receptacles fit one or two gang enclosures.



NEMA 10-20 Rating 20A 125/250V

Receptacles

Description	Color	Catalog No.
Flush	Brown	805B*
	Ivory	805V*

*Not CSA approved

Plugs

Description	Color	Catalog No.
Armored Vinyl	Yellow	2836

NEMA 10-30 Rating 30A 125/250V

Receptacles

Description	Color	Catalog No.
Surface	Black	125
Flush	Brown	38B

Plugs

Description	Color	Catalog No.
Angle Universal - Vinyl	Black	80



10-20R



10-20P



10-30R



10-30P



Commercial Specification Grade Straight Blade Power Devices

3 Pole, 3 Wire Non-Grounding
NEMA 10-50
50A 125/250V

INDUSTRIAL
COMMERCIAL
RESIDENTIAL

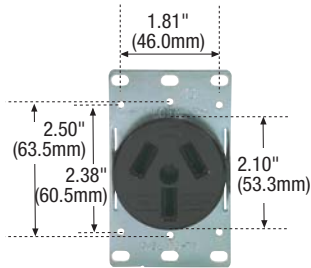
A-25 STRAIGHT BLADE RECEPTACLES

TESTING & CODE COMPLIANCE

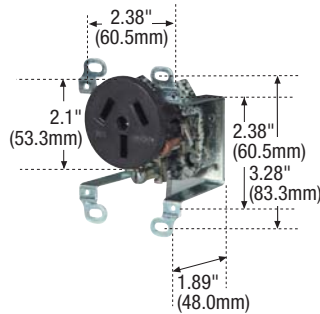
- UL file:
- Receptacles:
(file no. E15058);
- Plugs:
(file no. E15012).
- NOM Certified.

MATERIAL CHARACTERISTICS

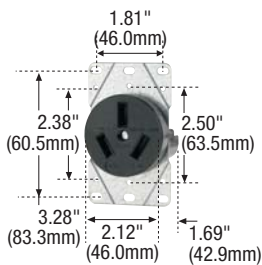
Temperature Rating:
-20°C (without
impact) to 75°C max.
continuous. 7985N:
V2 rated; -40°C
(without impact)
to 105°C max.
continuous.



32B



122B



7985N

Power Devices

FEATURES

- Heavy gauge steel mounting strap zinc-plated for corrosion resistance.
- Receptacles for use with copper or aluminum wire.
- Surface receptacles have patented lay-in terminals and accept up to #4 wire.
- Universal plugs include blades for 50A configurations.
- Surface receptacles 0.75" (19.05mm) and 1" (25.4mm) concentric knockouts and adjustable cord clamp allow for wiring from bottom or back.
- Flush receptacles fit one or two gang enclosures.
- High strength glass reinforced nylon body resists breakage in high abuse areas for Catalog No. 7985N.

NEMA 10-50 Rating 50A 125/250V

Receptacles

Description	Color	Catalog No.
Surface	Black	112BK
Flush	Black	7985N
Flush	Brown	32B
Flush Off Center	Brown	122B

Plugs

Description	Color	Catalog No.
Angle Universal - Vinyl	Black	80



10-50R



10-50P

Commercial Specification Grade Straight Blade Power Devices

3 Pole, 4 Wire Grounding
NEMA 14-20,14-30,
20A 125/25V,
30A 125/250V



INDUSTRIAL
COMMERCIAL
RESIDENTIAL

A-26 STRAIGHT BLADE RECEPTACLES

TESTING & CODE COMPLIANCE

- UL file: Receptacles: (file no. E15058); 21: UL and cUL, (file no. E15012).
- CSA (file no. 6914 (6233-01))
- Meets all CSA requirements, C22.2 no. 42.
- NOM Certified, except as noted.

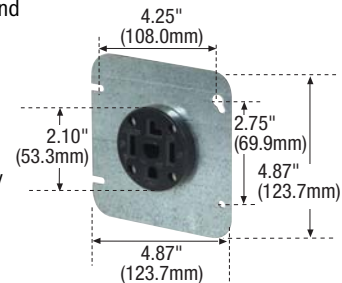
MATERIAL CHARACTERISTICS

Temperature Rating:
-20°C (without impact) to 75°C max. continuous.
5744N:
-40°C (without impact) to 105°C max. continuous.

Power Devices

FEATURES

- Heavy gauge steel mounting strap zinc-plated for corrosion resistance.
- Receptacles for use with copper or aluminum wire.
- Surface receptacles have patented lay-in terminals and accept up to #4 wire.
- Universal plugs include blades for 30A or 50A configurations.
- Surface receptacles 0.75" (19.05mm) and 1" (25.4mm) concentric knockouts and adjustable cord clamp allow for wiring from bottom or back.
- Flush receptacles fit one or two gang enclosures.
- High strength glass reinforced nylon body resists breakage in high abuse areas for Catalog No. 5744N.



1167



57



21

NEMA 14-20 Rating 20A 125/250V

Receptacles

Description	Color	Catalog No.
Single, Bakelite, Back and Side Wired	Black	5759*

*UL498 Listed (File No. E140596)

NEMA 14-30 Rating 30A 125/250V

Receptacles

Description	Color	Catalog No.
Surface	Black	1225
On 4.6875" (119.06mm) Steel Cover	Black	1167
Flush	Black	5744N
Flush	Black	1257
Panel Mount	Black	57

Plugs

Description	Color	Catalog No.
Angle Universal - Plastic	Black	21



14-20R



14-20P



14-30R



14-30P



INDUSTRIAL
COMMERCIAL
RESIDENTIAL

A-27 STRAIGHT BLADE RECEPTACLES

TESTING & CODE COMPLIANCE

- UL file:
- Receptacles:
(file no. E15058);
21: UL and cUL,
(file no. E15012).
- CSA (file no. 6914
(6233-01)).
- Meets all CSA
requirements,
C22.2 no. 42.
- NOM Certified,
except as noted.

MATERIAL CHARACTERISTICS

Temperature Rating:
-20°C (without
impact) to 75°C
max. continuous.
5754N, 8430N
and 8450N:
-40°C (without
impact) to 105°C
max. continuous.



Commercial Specification Grade Straight Blade Power Devices

3 Pole, 4 Wire Non-Grounding
NEMA 14-50, 15-30, 15-50
50A 125/250V
30A 250/3Ø
50A 250/3Ø

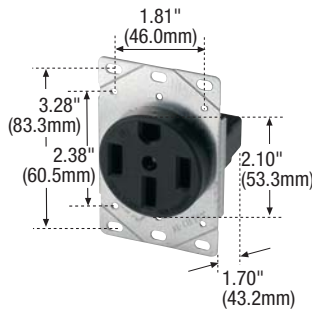
Power Devices

FEATURES

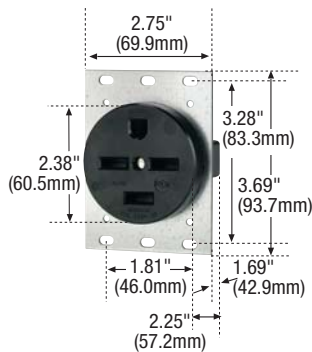
- Heavy gauge steel mounting strap zinc-plated for corrosion resistance.
- Receptacles for use with copper or aluminum wire.
- Surface receptacles have patented lay-in terminals and accept up to #4 wire.
- Universal plugs include blades for 30A or 50A configurations.
- Surface receptacles 0.75" (19.05mm) and 1" (25.4mm) concentric knockouts and adjustable cord clamp allow for wiring from bottom or back.
- Flush receptacles fit one or two gang enclosures.
- High strength glass reinforced nylon body resists breakage in high abuse areas for Catalog No. 5754N, 8430N and 8450N.



1212



1258



8430N

NEMA 14-50 Rating 50A 125/250V

Receptacles

Description	Color	Catalog No.
Surface	Black	1212
On 4.6875" (119.06mm) Steel Cover	Black	1168
Flush	Black	5754N
Flush	Black	1258
Panel Mount	Black	58

Plugs

Description	Color	Catalog No.
Angle Universal - Plastic	Black	21

NEMA 15-30 Rating 30A 250V 3Ø

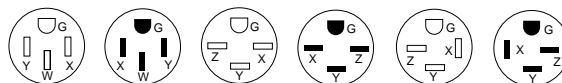
Receptacles

Description	Color	Catalog No.
Flush	Black	8430N

NEMA 15-50 Rating 50A 250V 3Ø

Receptacles

Description	Color	Catalog No.
Flush	Black	8450N



14-50R

14-50P

15-30R

15-30P

15-50R

15-50P

Commercial Specification Grade Straight Blade Power Devices

3 Pole, 4 Wire Grounding
NEMA 14-60, 15-60
60A 125/250V
60A 250V 3Ø



INDUSTRIAL
COMMERCIAL
RESIDENTIAL

A-28 STRAIGHT BLADE RECEPTACLES

TESTING & CODE COMPLIANCE

- UL file: Receptacles: (file no. E15058); 20: UL and cUL, (file no. E15012).
- CSA (file no. 6914 (6233-01)).
- Meets all CSA requirements, C22.2 no. 42.
- NOM Certified, except as noted.

MATERIAL CHARACTERISTICS

Meets flammability requirements per UL 94, 8460N and 9460N: V2 rated. Temperature Rating: -20°C (without impact) to 75°C max. continuous. 8460N and 9460N: -40°C (without impact) to 105°C max. continuous.

Power Devices

FEATURES

- Heavy gauge steel mounting strap zinc-plated for corrosion resistance.
- Receptacles for use with copper or aluminum wire.
- Universal plugs include blades for 30A or 50A configurations.
- Flush receptacles fit one or two gang enclosures.
- High strength glass reinforced nylon body resist breakage in high abuse areas for Catalog. No. 9460N and 8460N.

NEMA 14-60 Rating 60A 125/250V

Receptacles

Description	Color	Catalog No.
Flush	Black	9460N
On 4.6875" (119.06mm) Steel Cover	Black	1170
Panel Mount	Black	60

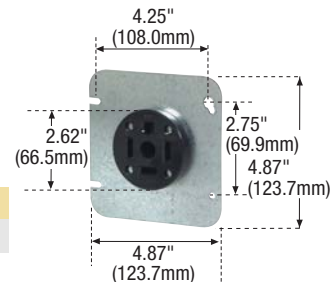
Plugs

Description	Color	Catalog No.
Angle - Plastic	Black	20

NEMA 15-60 Rating 60A 250V 3Ø

Power Receptacles

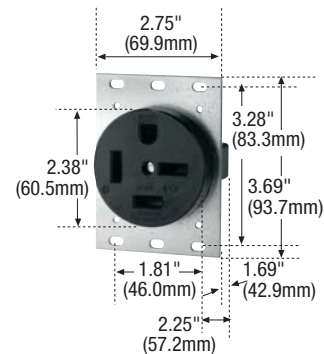
Description	Color	Catalog No.
Flush Mounting	Black	8460N



1170



20



8460N



14-60R



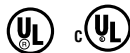
14-60P



15-60R



15-60P



Commercial Specification Grade Straight Blade Power Devices

4 Pole, 4 Wire Non-Grounding
NEMA 18-60,
60A 3ØY 120/208V
Wallplate Guide

Power Devices

FEATURES

- Heavy gauge steel mounting strap zinc-plated for corrosion resistance.
- Receptacles for use with copper or aluminum wire.
- High strength glass reinforced nylon body resist breakage in high abuse areas for Cat. No. 5515N.

INDUSTRIAL
COMMERCIAL
RESIDENTIAL

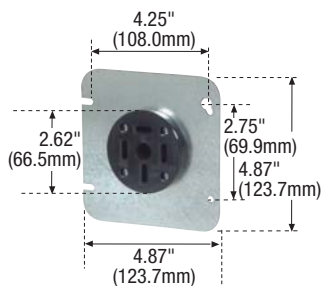
A-29 STRAIGHT BLADE RECEPTACLES

TESTING & CODE COMPLIANCE

- UL file:
- Receptacles:
(file no. E15058;
19: UL and cUL,
(file no. E15012)
- CSA (file no. 6914
(6233-01)).
- Meets all CSA
requirements,
C22.2 no. 42,
· NOM Certified,
except as noted,

MATERIAL CHARACTERISTICS

Meets flammability
requirements
per UL 94,
5515N: V2 rated.
Temperature Rating:
-20°C (without
impact) to 75°C
max. continuous.
5515N:
-40°C (without
impact) to 105°C
max. continuous.



1169



19

NEMA 18-60 Rating 60A 3ØY 120/208V

Receptacles

Description	Color	Catalog No.
Flush	Black	5515N*
On 4.6875" (119.06mm) Steel Cover	Black	1169*
Panel Mount	Black	59

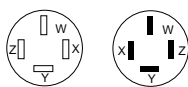
*Not CSA or NOM

Plugs

Description	Color	Catalog No.
Angle - Plastic	Black	19

Wallplate Guide for Power Devices

Power Device Catalog No.	Wallplate Catalog No.
32, 38, 1233, 1234, 1253, 1254, 1257, 1258, 1263, 5700N, 5709N, 5716N, 5795N, 7985N	39CH, 68, 2068, 2168, 5068, 93221, 93227
5515N, 5744N, 5754N, 8430N, 8450N, 8460N, 9460N	69, 5169, 93223
122	192



18-60R

18-60P