



INDUSTRIAL  
COMMERCIAL  
RESIDENTIAL

## A-23 STRAIGHT BLADE RECEPTACLES

### TESTING & CODE COMPLIANCE

- Listed to UL 498 & meets Federal Spec. WC-596 (file no. E2369) except as noted.

Receptacles:  
(file no. E15058);

Plugs:  
(file no. E15012).

- CSA Certified to C22.2 no. 42

(file no. LR7087);

Plugs:  
(file no. 2081

(6221-02),

Receptacle:  
(file no. 6914

(6233-01).

- NOM Certified.

### MATERIAL CHARACTERISTICS

Temperature Rating:

-20°C (without impact) to 75°C

max. continuous.

5795N and 5709N:  
V2 rated; -40°C

(without impact) to 105°C max.



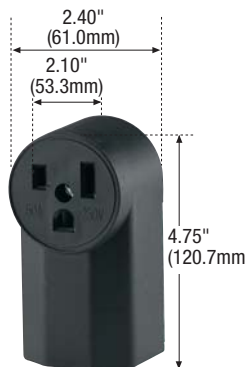
# Commercial Specification Grade Straight Blade Power Devices

2 Pole, 3 Wire Grounding  
NEMA 6-50, 7-30,  
50A 250V, 30A 277V.

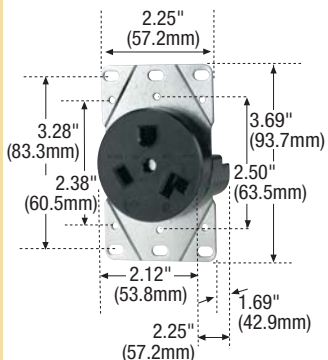
## Power Devices

### FEATURES

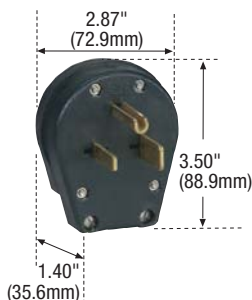
- Heavy gauge steel mounting strap zinc-plated for corrosion resistance.
- Receptacles for use with copper or aluminum wire.
- Surface receptacles have patented lay-in terminals and accept up to #4 wire.
- Universal plugs include blades for 50A configurations.
- Surface receptacles 0.75" (19.05mm) and 1.0" (25.4mm) concentric knockouts and adjustable cord clamp allow for wiring from bottom or back.
- Flush receptacles fit one or two gang enclosures.
- High strength glass reinforced nylon body resists breakage in high abuse areas for Catalog No. 5795N and 5709N.



1252



5795N



42

### NEMA 6-50 Rating 50A 250V

#### Receptacles

Description	Color	Catalog No.
Surface	Black	1252
Flush	Black	5709N
Flush	Brown	1254*

\*Not NOM

#### Plugs

Description	Color	Catalog No.
Angle Universal - Vinyl	Black	42

### NEMA 7-30 Rating 30A 277V

#### Receptacles

Description	Color	Catalog No.
Flush	Black	5795N



6-50R



6-50P



7-30R



7-30P