

DESCRIPTION

The Sure-Lites SEL LED remote series reduces overall cost and design time for a UL924 compliant emergency egress system. Key features include market leading spacing to reduce the number of fixtures required; universal voltage input from 4.8V through 12V and wet location rating as standard to reduce design time and mistake proof the ordering process; an LED source to eliminate lamp maintenance along with the quality and reliability you expect from Cooper Lighting Solutions products.

Catalog #		Type
Project		
Comments		Date
Prepared by		

SPECIFICATION FEATURES

ELECTRICAL

- 4.8V through 12V input voltage
- 90 lumen, 200 lumen and 285 lumen LED options
- Universal polarity wiring

MECHANICAL

Plastic Housing:

- Flame and impact resistant injection molded thermoplastic housing
- Available in white, grey and black finishes - specify when ordering
- Lamp heads adjust 80° from vertical with 358° rotation

Metal Housing:

- Lamp housing made of corrosion resistant 22 gauge die formed spun aluminum.
- Available in white, grey and black finishes - specify when ordering
- Lamp heads adjust 80° from vertical with 358° rotation

MOUNTING

- Aluminum mounting plate mounts flush on wall or ceiling
- Designed for installation on standard electrical box

ENVIRONMENTAL

- All remotes are wet location
- Temperature rating -30°C to 60°C

WARRANTY

- 5 year limited warranty
- UL 924 Listed

ACCESSORIES

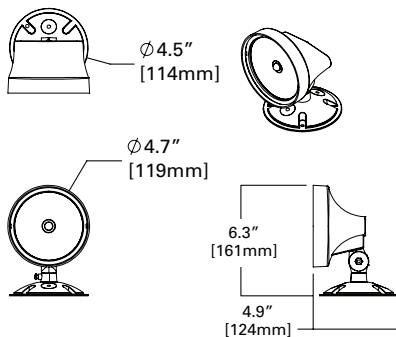
- Wireguard WG8 for use with single head remotes
- Wireguard WG9 for use with double head remotes

HOW TO SPECIFY

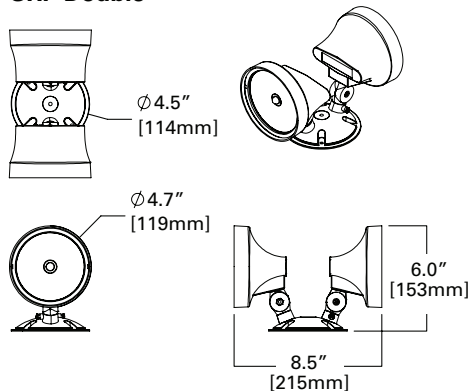
LED remote with 4.8V through 12V input, -30°C to 60°C temperature rating and up to 60 feet of coverage.

DIMENSIONS

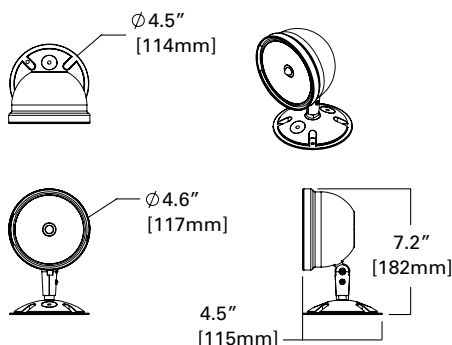
SRP Single



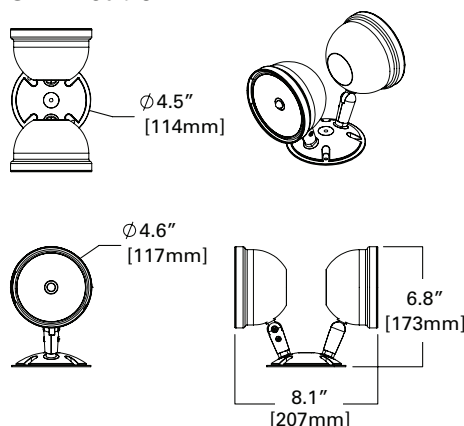
SRP Double



SRM Single



SRM Double



SRP



SRPD



SRM



SRMD

SEL Series Remote LED Emergency Light

ORDERING INFORMATION

SAMPLE NUMBER: SRP13WH

Series	Material	Coverage	Number of Heads	Color
SR= Sure-Lites remote	P=Polycarbonate M=Aluminum	13=13 feet 25=25 feet 30=30 feet	_=Single	WH=White BK=Black GY=Grey

Series	Material	Coverage	Number of Heads	Color
SR= Sure-Lites remote	P=Polycarbonate M=Aluminum	25=25 feet 50=50 feet 60=60 feet	D=Double	WH=White BK=Black GY=Grey

ENERGY DATA

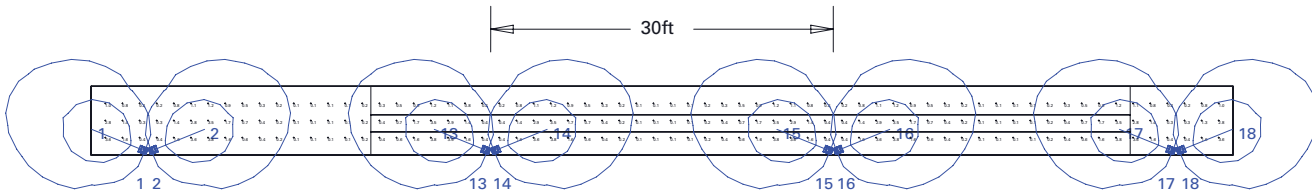
	Amp (A)	Watt (W)
SRM13 / SRP13	0.25	1.25
SRM25 / SRP25	0.5	2.5
SRM30 / SRP30	1.0	4.1
SRM25D / SRP25D	0.50	2.50
SRM50D / SRP50D	1.0	5.0
SRM60D / SRP60D	2.0	8.2

SPACINGS CHART

Catalog Logic	Output Lumens	Double Head Coverage at 0.1 foot candle minimum		Double Head Coverage at 1.0 foot candle minimum	
		7.5 foot height	20 foot height	7.5 foot height	20 foot height
SRP25D/SRM25D	90	30	15	12	12
SRP50D/SRM50D	200	49	33	18	22
SRP60D/SRM60D	285	65	52	15	27

PHOTOMETRY

SRP25D AND SRM25D - 0.1 Fc min



1.5' Away from Wall

Illuminance Values(Fc)
Average = 1.27
Maximum = 3.8
Minimum = 0.1
Avg/Min Ratio = 12.70
Max/Min Ratio = 38.00
No. Points = 44

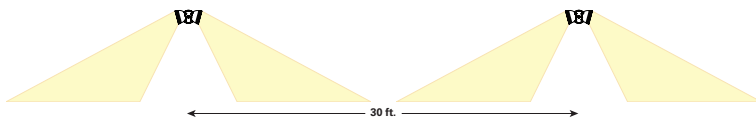
3' Away from Wall

Illuminance Values(Fc)
Average = 1.18
Maximum = 3.5
Minimum = 0.1
Avg/Min Ratio = 11.80
Max/Min Ratio = 35.00
No. Points = 44

4.5' Away from Wall

Illuminance Values(Fc)
Average = 0.56
Maximum = 1.2
Minimum = 0.1
Avg/Min Ratio = 5.60
Max/Min Ratio = 12.00
No. Points = 44

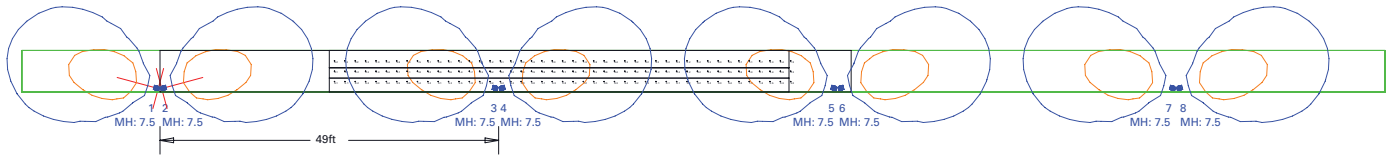
Lum. No.	Label	X	Y	Z	Orient	Tilt
1	P26739	4.75	0.33	7.5	158	34
2	P26739	5.25	0.33	7.5	22	34
13	P26739	34.75	0.33	7.5	158	34
14	P26739	35.25	0.33	7.5	22	34
15	P26739	64.75	0.33	7.5	158	34
16	P26739	65.25	0.33	7.5	22	34
17	P26739	94.75	0.33	7.5	158	34
18	P26739	95.25	0.33	7.5	22	34



***The "Rule of Thumb" spacing guidelines are designed to achieve 1 foot-candle average and 0.1 foot-candle minimum with a 40:1 maximum/minimum ratio. The corridor used is 100 feet long, 9 foot ceiling with a 6 foot wide walkway and 3 foot path of egress. The reflectances are 80% ceiling, 50% walls and 20% floors. The fixture mounting height is 7.5 feet. Cooper Lighting Solutions assumes no responsibility for local requirements or specific project variables. This is a guideline to be used as a design aid, not as guarantee of any code compliance.

PHOTOMETRY

SRM50D and SRP50D - 0.1 Fc min



1.5' Away from Wall

Illuminance Values(Fc)
 Average = 1.03
 Maximum = 3.3
 Minimum = 0.1
 Avg/Min Ratio = 10.30
 Max/Min Ratio = 33.00
 No. Points = 44

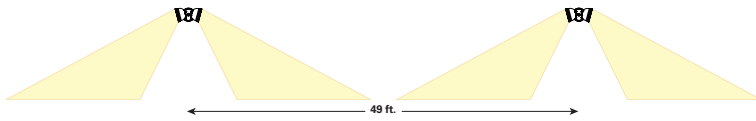
3' Away from Wall

Illuminance Values(Fc)
 Average = 1.22
 Maximum = 3.9
 Minimum = 0.1
 Avg/Min Ratio = 12.20
 Max/Min Ratio = 39.00
 No. Points = 44

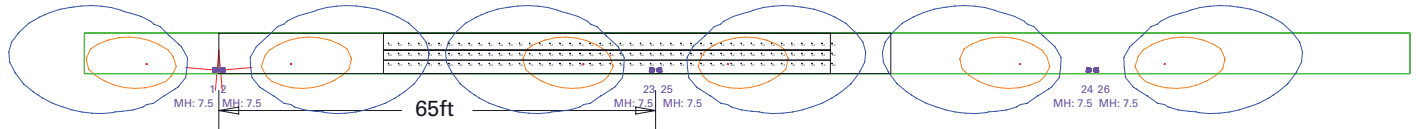
4.5' Away from Wall

Illuminance Values(Fc)
 Average = 0.87
 Maximum = 2.4
 Minimum = 0.1
 Avg/Min Ratio = 8.70
 Max/Min Ratio = 24.00
 No. Points = 44

Lum. No.	Label	X	Y	Z	Orient	Tilt
1	P26834 4_8V 199 lumen acrylic	-0.25	0.5	7.5	165	52
2	P26834 4_8V 199 lumen acrylic	0.25	0.5	7.5	15	52
3	P26834 4_8V 199 lumen acrylic	48.75	0.5	7.5	165	52
4	P26834 4_8V 199 lumen acrylic	49.25	0.5	7.5	15	52
5	P26834 4_8V 199 lumen acrylic	97.75	0.5	7.5	165	52
6	P26834 4_8V 199 lumen acrylic	98.25	0.5	7.5	15	52
7	P26834 4_8V 199 lumen acrylic	146.75	0.5	7.5	165	52
8	P26834 4_8V 199 lumen acrylic	147.25	0.5	7.5	15	52



SRP60D AND SRM60D - 0.2 Fc min



1.5' Away from Wall

Illuminance Values(Fc)
 Average = 1.35
 Maximum = 4.6
 Minimum = 0.2
 Avg/Min Ratio = 6.75
 Max/Min Ratio = 23.00
 No. Points = 44

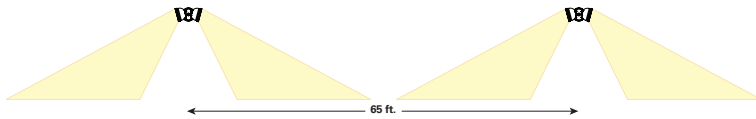
3' Away from Wall

Illuminance Values(Fc)
 Average = 1.11
 Maximum = 3.4
 Minimum = 0.2
 Avg/Min Ratio = 5.55
 Max/Min Ratio = 17.00
 No. Points = 44

4.5' Away from Wall

Illuminance Values(Fc)
 Average = 0.65
 Maximum = 1.6
 Minimum = 0.2
 Avg/Min Ratio = 3.25
 Max/Min Ratio = 8.00
 No. Points = 44

Lum. No.	Label	X	Y	Z	Orient	Tilt
1	P27192	-0.25	0.5	7.5	175	62
2	P27192	0.25	0.5	7.5	5	62
23	P27192	66.25	0.5	7.5	5	62
24	P27192	130.25	0.5	7.5	5	62
25	P27192	64.75	0.5	7.5	175	62
26	P27192	129.75	0.5	7.5	175	62



***The "Rule of Thumb" spacing guidelines are designed to achieve 1 foot-candle average and 0.1 foot-candle minimum with a 40:1 maximum/minimum ratio. The corridor used is 100 feet long, 9 foot ceiling with a 6 foot wide walkway and 3 foot path of egress. The reflectances are 80% ceiling, 50% walls and 20% floors. The fixture mounting height is 7.5 feet. Cooper Lighting Solutions assumes no responsibility for local requirements or specific project variables. This is a guideline to be used as a design aid, not as guarantee of any code compliance.