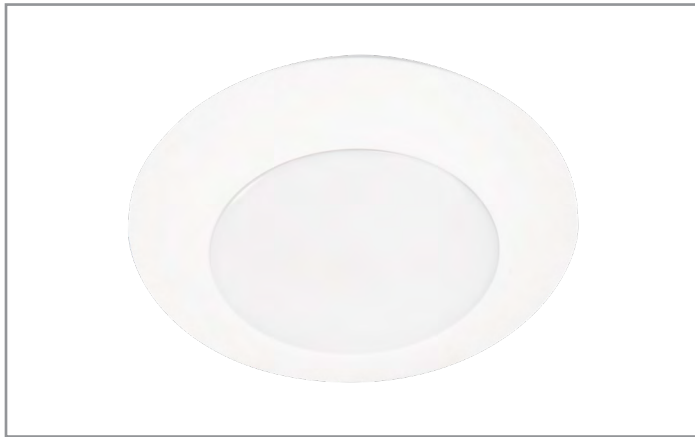


Project		Catalog #		Type	
Prepared by		Notes		Date	



# HALO

## HLC6

6" LED Surface Luminaire  
900 Lumen Series

### Typical Applications

Residential

### Interactive Menu

- Order Information page 2
- Product Specifications page 3
- Photometric Data page 4
- Product Warranty
- Dimming Guide

### Product Certification



Refer to ENERGY STAR® Certified Products List.  
Can be used to comply with California Title 24 High Efficacy requirements.  
Certified to California Appliance Efficiency Database under JAB.

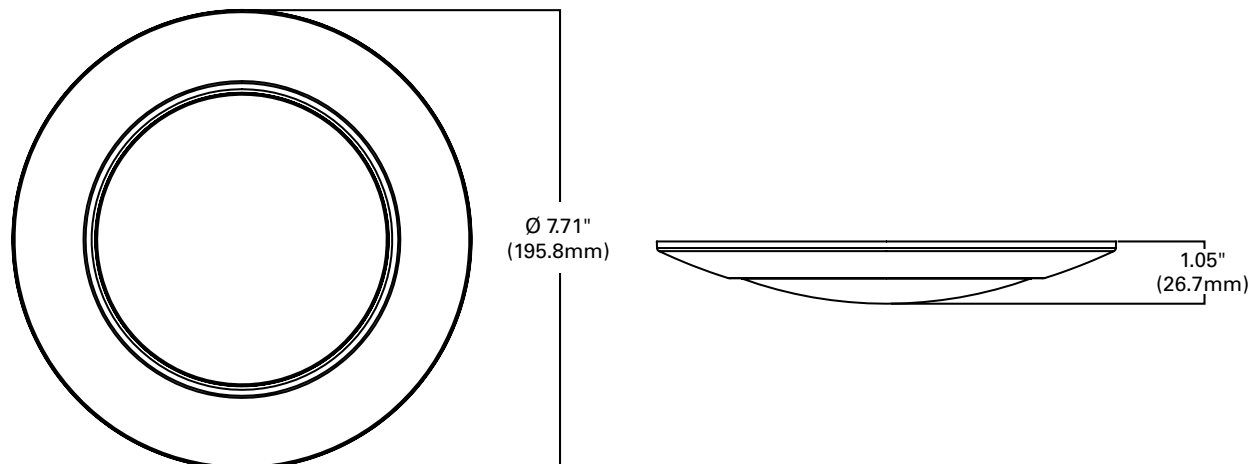
### Product Features



### Top Product Features

- Below the ceiling installation, no clips or plates needed
- Installs in many 3-1/2" and 4" ceiling junction and pancake boxes
- 3 color temperatures: 3000K, 4000K or 5000K CCT, CRI: 90
- Dimmable down to 10%
- Damp location listed for indoor ceiling or wall mounting

### Dimensional and Mounting Details



## Order Information

SAMPLE ORDER NUMBER: **HLC6099301EWH-6BP**

Models	Lumens	CRI / CCT	Driver	Finish	Packaging
HLC6 = 6-Inch LED surface light	09 = 900 lumens (nominal)	930 = 90 CRI minimum, 3000K CCT 940 = 90 CRI minimum, 4000K CCT 950 = 90 CRI minimum, 5000K CCT	1E = 120V 60Hz, LE & TE phase cut 10% dimming	WH = matte white flange	-6BP = Qty 6 bulk pack (not for individual sale) -12BP = Qty 12 bulk pack (not for individual sale) <sup>(1)</sup>
Notes	Notes	Notes	Notes	Notes	Notes (1) 3000K only

### COMPATIBLE WITH EATON'S CROUSE-HINDS JUNCTION BOXES



**TP316**  
for non-metallic cable  
4" x 4" x 2-1/8"  
(102mm x 102mm x 54mm)



**TP317**  
for metal clad cable  
4" x 4" x 2-1/8"  
(102mm x 102mm x 54mm)

- TP316 - for non-metallic cable
- TP317 - for metal clad cable
- UL Listed
- Refer to [www.crouse-hinds.com](http://www.crouse-hinds.com)

### COMPATIBLE WITH MANY OTHER JUNCTION BOXES\*



**4" octagon light fixture/fan steel box**  
4" x 4" x 2-1/8"  
(102mm x 102mm x 54mm)



**4" octagon steel box**  
4" x 4" x 1-1/2"  
(102mm x 102mm x 38mm)



**4" round new work non-metallic light fixture/fan box**  
4" diameter x 2-3/16"  
(102mm x 56mm)



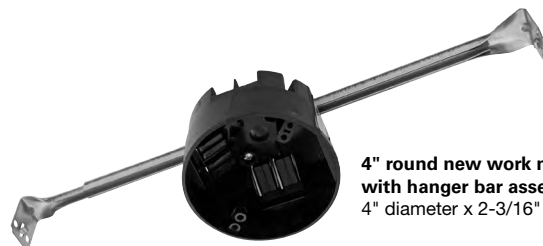
**3-1/2" round new work non-metallic ceiling box**  
3-1/2" diameter x 2-3/4"  
(89mm x 70mm)



**3-1/2" round old work non-metallic box**  
4-1/4" O.D. flange, 3-1/2" I.D. x 2-5/8"  
(108mm O.D., 89mm I.D. x 67mm)



**4" round surface mount box**  
4" diameter x 1-1/2"  
(102mm x 38mm)



**4" round new work non-metallic box with hanger bar assembly**  
4" diameter x 2-3/16" (102mm x 56mm)



**Round ceiling pan**  
4" diameter x 13/16"  
(102mm x 21mm)

\*This is a representative list of compatible junction boxes only. Information contained in this literature about other manufacturers' products is from published information made available by the manufacturer and is deemed to be reliable, but has not been verified. Eaton makes no specific recommendation on product selection and there are no warranties of performance or compatibility implied. Installer must determine that site conditions are suitable to allow proper installation of the mounting bracket in the box.

## Product Specifications

### Construction

- Stamped aluminum

### Optics

- Precision engineered optic provides uniform luminance from a low profile convex lens
- Removable lens for easy install from below installation

### LED

- Backlit LED technology
- Color Temperature options include: 3000K, 4000K or 5000K
- 90 CRI is standard
- L70 at 50,000 hours projected in accordance with TM-21

### Driver

- Integral 120V 60Hz constant current driver provides virtually noise free operation.
- Continuous, flicker-free dimming from 100% to 10% with select leading or trailing edge 120V phase cut dimmers. [See dimming guide.](#)
- Dimming to 10% is best assured using dimmers with low end trim adjustment. Consult dimmer manufacturer for compatibility and conditions of use. (Note some dimmers require a neutral in the wallbox.)
- Inline electrical quick connect (provided) provides mains connections

### Electrical Junction Box Mounting

- HLC6 may be used in compatible electrical junction boxes in direct contact with insulation including spray foam insulation
- Install from below design
- Suitable for installation in many 3-1/2" and 4" octagon and round electrical junction boxes.
- Compatible with compact (pancake) junction boxes
- Installer must ensure compatibility of fit, wiring and proper mounting in the electrical junction box. This includes all applicable national and local electrical and building coded NEMA LSD 57-2013

### Compliance

- UL Certified for US and Canada
- Damp Location listed
- Suitable for use in clothes closets when installed in accordance with the NEC 410.16 spacing requirements.
- EMI/RFI emissions per FCC 47CFR Part 15B
- Contains no mercury or lead and RoHS compliant.
- Photometric testing in accordance with IES LM-79-08
- Lumen maintenance projections in accordance with IES LM-80-08 and TM-21-11.
- Can be used for State of California Title 24 high efficacy luminaire compliance
- Can be used for International Energy Conservation Code (IECC) and Washington State Energy Code high efficiency luminaire Compliance
- ENERGY STAR® Certified luminaire - consult ENERGY STAR® Certified Product List

### Warranty

- Five year limited warranty, consult website for details. [www.cooperlighting.com/legal](http://www.cooperlighting.com/legal)

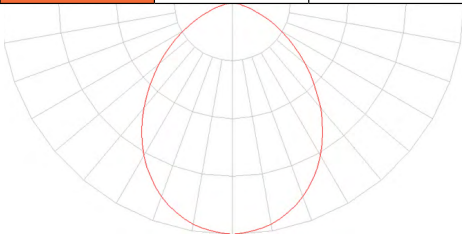
## Energy Data

Lumens	925 @ 3000K
Input Voltage	120V
Input Current	.133 (mA)
Input Power	15.7 (W)
Efficiency	58.8 (LPW)
Inrush (A)	.133 (A)
THD	≤ 29%
PF	≥ 0.90
T Ambient	-30° - +40°C
Sound Rating	≤ 22 dba

## Photometric Data

[View IES files](#)

HLC6099301EWH-6BP - 3000K		
Luminaire lumens	925	
Input watts	15.7	
LER (LPW)	59	
Spacing Criteria	0-180	1.28
	90-270	1.28
	Diagonal	1.4
Beam angle (degrees)	114.4	
Field angle (degrees)	166	
Zonal lumen	Lumens	% Lumens
0-30	242	26.2
0-40	397	42.9
0-60	708	76.6
0-90	920	99.5



## Color Metric Summary

3000K		4000K		5000K	
TM-30-15	R <sub>f</sub> = 87	TM-30-15	R <sub>f</sub> = 88	TM-30-15	R <sub>f</sub> = 90
	R <sub>g</sub> = 95		R <sub>g</sub> = 96		R <sub>g</sub> = 97
CRI/CIE	R <sub>a</sub> = 92	CRI/CIE	R <sub>a</sub> = 92	CRI/CIE	R <sub>a</sub> = 92
	R <sub>9</sub> = 60		R <sub>9</sub> = 66		R <sub>9</sub> = 62



CCT - Range of 3000K - 5000K

Catalog Number	CCT	Lumens	Power (W)	LPW
HLC6	3000K	925	15.7	58.8
	4000K	939	15.7	59.8
	5000K	1048	15.7	66.8

\* Tested in accordance with IES LM63. Field results may vary.

## Product Specifications

### PRODUCT SPECIFICATIONS

Lumens	925
Watts	15.7
Lumens Per Watt (Efficacy)	58.8
Color Accuracy (CRI)	92
Light Color (CCT)	3000K
<small>Correlated Color Temperature (CCT)</small>	

HLC6099301EWH-6BP

### PRODUCT SPECIFICATIONS

Lumens	939
Watts	15.7
Lumens Per Watt (Efficacy)	59.8
Color Accuracy (CRI)	92
Light Color (CCT)	4000K
<small>Correlated Color Temperature (CCT)</small>	

HLC6099401EWH-6BP

### PRODUCT SPECIFICATIONS

Lumens	1048
Watts	15.7
Lumens Per Watt (Efficacy)	66.8
Color Accuracy (CRI)	92
Light Color (CCT)	5000K
<small>Correlated Color Temperature (CCT)</small>	

HLC6099501EWH-6BP