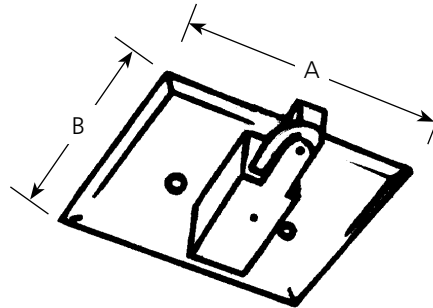




**Alpha Trak  
Track Accessories**

**Track**

Catalog No.	Finish			Type			Dimensions (Inches)	
	Brushed Nickel	White	Black	-09	-28	-31	A	B
	P8745	-09	-28	-31	<input type="checkbox"/>	<input type="checkbox"/>	<input type="checkbox"/>	4-1/2



**Specifications:**

General

- End feed with flush canopy.