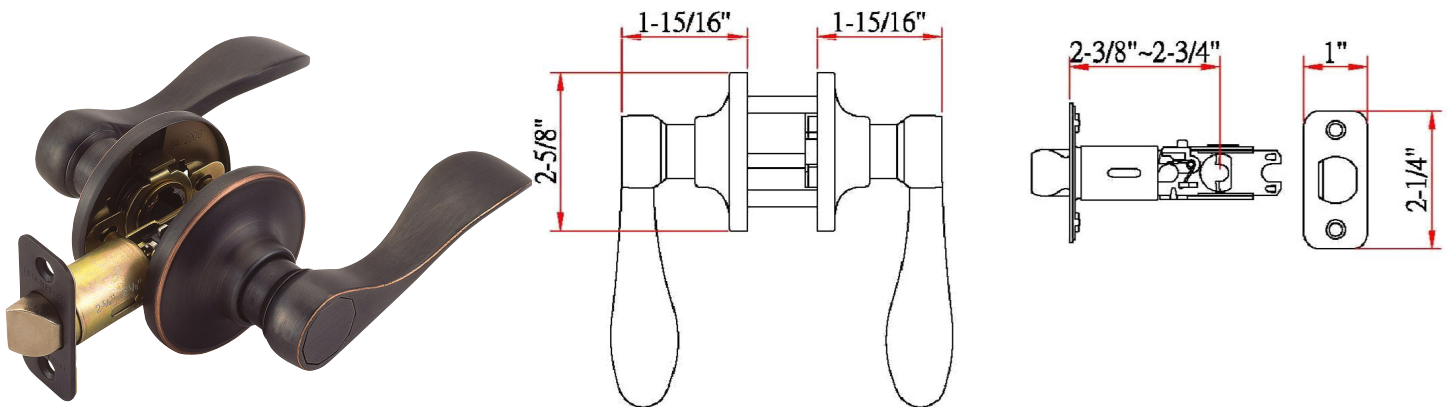


### Springdale 2-Way Adjustment Passage Door Handle Oil Rubbed Bronze



## SPECIFICATIONS

|                                    |                             |                                       |                         |
|------------------------------------|-----------------------------|---------------------------------------|-------------------------|
| <b>MATERIAL CONSTRUCTION:</b>      | Brass                       | <b>KEYWAY:</b>                        | N/A                     |
| <b>LOCK FUNCTION:</b>              | Passage                     | <b>REMOVABLE CORE:</b>                | No                      |
| <b>DEADBOLT FUNCTION:</b>          | N/A                         | <b>LATCH FACEPLATE I:</b>             | Round Corner            |
| <b>EXTERIOR MAX PROJECTION:</b>    | 1.94"                       | <b>LATCH BACKSET:</b>                 | Adj; 2-3/8" - 2-3/4"    |
| <b>INTERIOR MAX PROJECTION:</b>    | 1.94"                       | <b>LATCH TYPE:</b>                    | 2 Way (fixed faceplate) |
| <b>KOB VS. LEVER:</b>              | Lever                       | <b>LATCHBOLT THROW DISTANCE:</b>      | 0.5"                    |
| <b>KNOB DIMENSIONS:</b>            | N/A                         | <b># PINS IN CYLINDER:</b>            | N/A                     |
| <b>LEVER LENGTH:</b>               | 3.67"                       | <b>ANTI-BUMP PIN INSTALLED:</b>       | N/A                     |
| <b>ROSE DIMENSIONS:</b>            | 2.63" H x 2.63" W x 2.63" D | <b># KEYS INCLUDED:</b>               | N/A                     |
| <b>ROSETTE / ESCUTCHEON SHAPE:</b> | Round                       | <b>SPINDLE TYPE:</b>                  | Half-Moon               |
| <b>CROSS BORE:</b>                 | 2.13"                       | <b>MOUNTING HARDWARE INCLUDED:</b>    | Yes                     |
| <b>EDGE BORE:</b>                  | 1"                          | <b>TOOLS NEEDED FOR INSTALLATION:</b> | Phillips Screwdriver    |
| <b>HANDING:</b>                    | Reversible                  | <b>ASSEMBLED WEIGHT:</b>              | 1.6 lbs.                |
| <b>REKEYABLE?:</b>                 | No                          |                                       |                         |

|                            |                         |
|----------------------------|-------------------------|
| <b>WARRANTY:</b>           | 5-Year limited warranty |
| <b>ANSI CERTIFICATION:</b> | Grade 3                 |
| <b>BHMA GRADE:</b>         | 3                       |
| <b>FIRE RATED:</b>         | No                      |
| <b>ADA COMPLIANT:</b>      | No                      |



|             |
|-------------|
| TYPE:       |
| JOB:        |
| ORDER CODE: |
| APPROVALS:  |