

RodrunnerTM ***Operating Instructions***

**For 3" through 10"
(75mm—250mm)**



Your Rodrunner is designed to give you years of trouble-free, profitable service. However, no machine is better than its operator.

Read, understand and follow all safety warnings and instructions provided with the product. Failure to follow the warnings and instructions may result in electric shock and/or serious injury. Save all warnings and instructions for future reference.

SAVE THESE INSTRUCTIONS!

General
PIPE CLEANERS



WARNING

Read and understand operator's manual before using this machine. Failure to follow operating instructions could result in death or serious injury.

WARNING! Read and understand all instructions. Failure to follow all instructions listed below may result in electric shock, fire and/or serious personal injury. Replacement manuals are available upon request at no charge, or may be downloaded from our website, www.drainbrain.com. Instructional videos are available for download on our website, and may be ordered. If you have any questions or problems, please call General's customer service department at 412-771-6300.

SAVE THESE INSTRUCTIONS!

These instructions are intended to familiarize all personnel with the safe operation and maintenance procedures for the Rodrunner.

SAFETY SYMBOLS



This is the safety alert symbol. It is used to alert you to potential personal injury hazards. Obey all safety messages that follow this symbol to avoid possible injury or death.

DANGER

DANGER indicates a hazard with a high level of risk which, if not avoided, will result in death or serious injury.

WARNING

WARNING indicates a hazard with a medium level of risk which, if not avoided, could result in death or serious injury.

CAUTION

CAUTION indicates a hazard with a low level of risk which, if not avoided, will result in minor or moderate injury.

WARNING



Electric shock resulting in death can occur if you plug this machine into an improperly wired outlet. If the ground wire is electrified, you can be electrocuted by just touching the machine, even when the power switch is off. A ground fault circuit interrupter will not protect you in this situation. Use a UL approved tester to determine if the outlet is safe.



Do not operate power tools in explosive atmospheres, such as in the presence of flammable liquids, gases, or dust. Power tools create sparks which may ignite the dust of fumes.



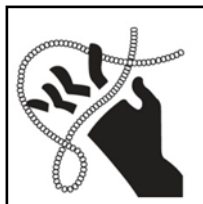
Only wear leather gloves. Never use any other type of glove, such as cloth, rubber, or coated gloves. Never grasp a rotating cable with a rag. These items could become wrapped around the cable and cause serious injury.



Always wear safety glasses and rubber soled, non-slip shoes. Use of this safety equipment may prevent serious injury.



Never operate machine with belt guard removed. Fingers can get caught between belt and pulley.



Do not overstress cables. Overstressing cables may cause twisting, kinking, or breaking of the cable and may result in serious injury.

GENERAL SAFETY RULES



WARNING

Read and understand all instructions. Failure to follow all instructions listed below may result in electric shock, fire, and/or serious injury.

SAVE THESE INSTRUCTIONS!

Work Area

1. **Keep work area clean and well lit.** Cluttered benches and dark areas invite accidents.
2. **Do not operate power tools in explosive atmospheres, such as in the presence of flammable liquids, gases, or dust.** Power tools create sparks which may ignite the dust or fumes.
3. **Keep bystanders, children, and visitors away while operating a power tool.** Distractions can cause you to lose control.

Electrical Safety

1. **Grounded tools must be plugged into an outlet, properly installed and grounded in accordance with all codes and ordinances. Never remove the grounding prong or modify the plug in any way. Do not use any adapter plugs. Check with a qualified electrician if you are in doubt as to whether the outlet is properly grounded.** If the tool should electrically malfunction or break down, grounding provides a low resistance path to carry electricity away from the user.
2. **Avoid body contact with grounded surfaces such as pipes, radiators, ranges and refrigerators.** There is an increased risk of electric shock if your body is grounded.
3. **Do not expose power tools to rain or wet conditions.** Water entering a power tool will increase the risk of electric shock.
4. **Do not abuse the cord. Never use the cord to carry the tools or pull the plug from an outlet. Keep cord away from heat, oil, sharp edges or moving parts. Replace damaged cords immediately.** Damaged cords increase the risk of electric shock.
5. **When operating a power tool outside use an outdoor extension cord marked "W-A" or "W".** These cords are rated for outdoor use and reduce the risk of electric shock.
6. **Test the Ground Fault Circuit Interrupter (GFCI) provided with the power cord to insure it is operating correctly before operating machine.** Machine must have a properly functioning ground fault circuit interrupter on the power cord. GFCI reduces the risk of electric shock.
7. **Extension cords are not recommended unless they are plugged into a Ground Fault Circuit Interrupter (GFCI) found in circuit boxes or outlet receptacles.** The GFCI on the machine power cord will not prevent electric shock from the extension cords.
8. **Only use proper three-wire extension cords in good condition which have three-prong grounding plugs and three-pole receptacles which accept the tool's plug.** Use of damaged, inferior, or other extension cords will not ground the tool. Increases the risk of electric shock and bodily injury or death.
9. **Keep all electric connections dry and off the ground.** Reduces the risk of electric shock.
10. **DO NOT touch plugs or tools with wet hands.** Reduces the risk of electric shock.

Personal Safety

1. **Stay alert, watch what you are doing and use common sense when operating a power tool. Do not use tool while tired or under the influence of drugs, alcohol, or medication.** A moment of inattention while operating power tools may result in serious personal injury.
2. **Dress properly. Do not wear loose clothing or jewelry. Contain long hair. Keep your hair, clothing, and gloves away from moving parts.** Loose clothes, jewelry, or long hair can be caught in moving parts.
3. **Avoid accidental starting. Be sure switch is off before plugging in.** Carrying tools with your finger on the switch or plugging in tools that have the switch on invites accidents.
4. **Remove adjusting keys or switches before turning the tool on.** A wrench or key that is left attached to a rotating part of the tool may result in personal injury.
5. **Do not overreach. Keep proper footing and balance at all times.** Proper footing and balance enables better control of the tool in unexpected situations.
6. **Use safety equipment. Always wear eye protection.** Dust mask, non-skid safety shoes, hard hat, or hearing protection must be used for appropriate conditions.

Tool Use and Care

1. **Use clamps or other practical way to secure and support the workpiece to a stable platform.** Holding the work by hand or against your body is unstable and may lead to loss of control.
2. **Do not force tool. Use the correct tool for your application.** The correct tool will do the job better and safer at the rate for which it is designed.
3. **Do not use tool if switch does not turn it on or off.** Any tool that cannot be controlled with the switch is dangerous and must be repaired.
4. **Disconnect the plug from the power source before making any adjustments, changing accessories, or storing the tool.** Such preventative safety measures reduce the risk of starting the tool accidentally.
5. **Store idle tools out of reach of children and other untrained persons.** Tools are dangerous in the hands of untrained users.
6. **Maintain tools with care. Keep cutting tools sharp and clean.** Properly maintained tools, with sharp cutting edges are less likely to bind and are easier to control.
7. **Check for misalignment or binding of moving parts, breakage of parts, and any other condition that may affect the tool's operation. If damaged, have the tool serviced before using.** Many accidents are caused by poorly maintained tools.
8. **Only use accessories that are recommended by the manufacturer for your model.** Accessories that may be suitable for one tool may become hazardous when used on another tool.

Service

1. **Tool service must be performed only by qualified repair personnel.** Service or maintenance performed by unqualified repair personnel could result in a risk of injury.
2. **When servicing a tool, use only identical replacement parts. Follow instructions in the Maintenance section of this manual.** Use of unauthorized parts or failure to follow Maintenance Instructions may create a risk of electric shock or injury.

SPECIFIC SAFETY RULES



This is the safety alert symbol. It is used to alert you to potential personal injury hazards. Obey all safety messages that follow this symbol to avoid possible injury or death.



Electric shock resulting in death can occur if you plug this machine into an improperly wired outlet. If the ground wire is electrified, you can be electrocuted by just touching the machine, even when the power switch is off. A ground fault circuit interrupter will not protect you in this situation. Use a UL approved tester to determine if the outlet is safe.



Do not overstress cables. Overstressing cables may cause twisting, kinking, or breaking of the cable and may result in serious injury.

1. **Only wear leather gloves.** Never use any other type of glove, such as cloth, rubber, or coated gloves. Never grasp a rotating cable with a rag. These items could become wrapped around the cable and cause serious injury.
2. **Never operate machine with belt guard removed.** Fingers can get caught between belt and pulley.
3. **Do not overstress cables.** Keep leather-gloved hand on the cable for control when machine is running. Overstressing cables because of an obstruction may cause twisting, kinking, or breaking of the cable and may result in serious injury.
4. **Machine is designed for ONE-PERSON operation.** Operator must control foot switch and cable.
5. **Be careful when cleaning drains where cleaning chemicals have been used.** Avoid direct contact with skin and eyes. Drain cleaning chemicals can cause serious burns as well as damage the cable.
6. **Do not operate machine if operator or machine is standing in water.** Will increase risk of electrical shock.
7. **Wear safety glasses and rubber soled, non-slip shoes.** Use of this safety equipment may prevent serious injury.
8. **Before starting each job, check that the cable is not broken or kinked, by checking for wear or breakage.** Always replace worn out (kinked or broken) cables with genuine GENERAL replacement cables.
9. **Only use this tool in the application for which it was designed. Follow the instructions on the proper use of the machine.** Other uses or modifying the drain cleaner for other applications may increase risk of injury.

Ground Fault Circuit Interrupter (GFCI)

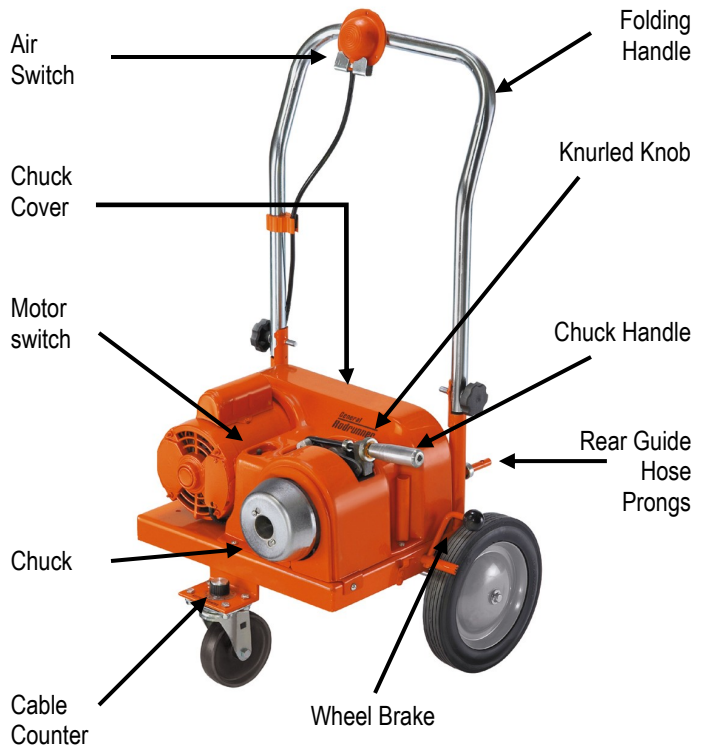
Your machine is equipped with a ground fault circuit interrupter, which protects you against shock if a short circuit should occur. Check that receptacle is properly grounded. Test the GFCI before each use.

1. Plug into 120-volt receptacle.
2. Push test button. Indicator light will go out and power to machine should cut off.
3. If light does not go out when test button is pushed, equipment should not be used until proper repairs can be made.
4. To restore power after test, push reset button. With the reset button depressed, if the machine doesn't start, stops while running, or if the operator experiences a mild shock, **do not use the machine!** Tag the machine out of service and take it to a motor repair center or return it to the factory for repairs.



THE SECTION OF CORD BETWEEN THE WALL PLUG AND THE GFCI IS NOT IN THE PROTECTED CIRCUIT.

FEATURES

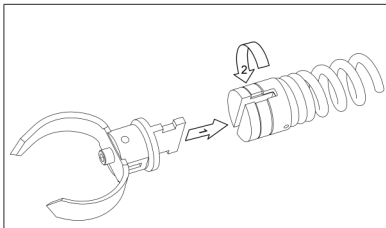


NOTE: Do not operate machine if warning labels on the Chuck Housing and power cord are missing or illegible.

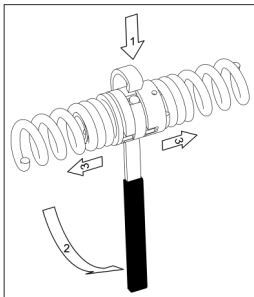
Cables and Connectors

Your machine comes with one of three cable connectors; “G” connectors for General® cables, “L” connectors to match Electric Eel®-type cables, and “R” connectors to match Ridgid®-type cables.

To couple the “G” cables, slide the tab on the male connector into the slot in the female connector, then turn the ring until the button pops up.

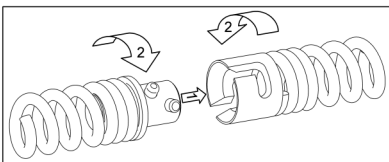


To disconnect, push the button in with the coupling wrench. Then turn the ring until it lines up with the slot in the connector and slide cables apart.

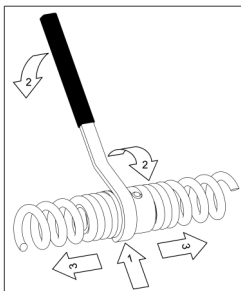


To couple “L” cables, line up the solid pin in the male connector with the L-shaped notch in the female connector. Depress the spring pin and push the male connector into the female connector.

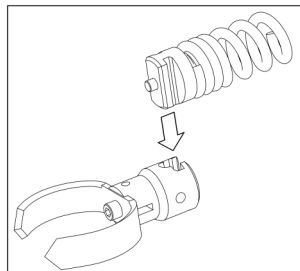
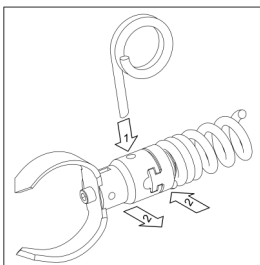
To disconnect, push down the spring pin with the coupling wrench. Turn the male connector a quarter turn, then pull the cables apart.



To couple “R” cables, put the T-shaped slot in the female connector next to the T-shaped male connector. Slide the two together and the spring pin will snap into place.



To disconnect, push the coupling key into the hole just below the slot in the female connector, then slide connectors apart.



Cable Application Chart (Table 1)

Cable Size	Pipe Size	Typical Applications	Maximum Distance
*1-1/4" Sections	3" - 10"	Large Drains, Long Runs, Roots	300 ft. (91m)
**7/8" Sections	2" - 4"	Medium Lines and Floor Drains	125 ft. (38m)

* 1-1/4" sections available in 4 ft., 8 ft. or 10 ft. lengths with Proflex™ or Flexichain™ inner core and “G” or “L” connectors, or 15 ft. hollow core sections with “R” connectors.

** 7/8" sections available with “R” connectors in 15 ft. lengths with hollow or Proflex™ inner core. To use 7/8" cables, R-R10AD adapter (optional) must be installed. See “To Clean or Replace Chuck Jaws.”

Sectional Cables

With General® Connectors

4GHDS	1-1/4" x 4 ft. 5/8" Proflex/Extra Space
8GF	1-1/4" x 8 ft. Flexichain
8GP	1-1/4" x 8 ft. Proflex
8GPS	1-1/4" x 8 ft. 1/2" Proflex/Extra Space
10GF	1-1/4" x 10 ft. Flexichain
10GP	1-1/4" x 10 ft. Proflex

Sectional Cables

Compatible with Electric Eel® Connectors

4LPS	1-1/4" x 4 ft. 1/2" Proflex/Extra Space
4LHDS	1-1/4" x 4 ft. 5/8" Proflex/Extra Space
8LF	1-1/4" x 8 ft. Flexichain
8LP	1-1/4" x 8 ft. 1/2" Proflex
8LPS	1-1/4" x 8 ft. 1/2" Proflex/Extra Space
8LHD	1-1/4" x 8 ft. 5/8" Proflex
8LHDS	1-1/4" x 8 ft. 5/8" Proflex/Extra Space
10LF	1-1/4" x 10 ft. Flexichain
10LP	1-1/4" x 10 ft. 1/2" Proflex
10LPS	1-1/4" x 10 ft. 1/2" Proflex/Extra Space
10LHD	1-1/4" x 10 ft. 5/8" Proflex
10LHDS	1-1/4" x 10 ft. 5/8" Proflex/Extra Space

Sectional Cables

Compatible with Ridgid® Cables

15R-10	7/8" x 15 ft. Open-Wound
15R-10-P	7/8" x 15 ft. Proflex
15R-11	1-1/4" x 15 ft. Standard Duty
15R-14	1-1/4" x 15 ft. Heavy Duty

General makes cables and cutters to fit equipment manufactured by others. We have no affiliation with these companies.

Cutter Application Chart (Table 2)

Cutter	Catalog #			Typical Applications
	"G" Conn.	"L" Conn.	"R" Conn.	
Spear Head	G-SHD	L-SHD	R-SHD	Starting tool, gets the water flowing
Hook Auger	G-HA	L-HA	R-HA	Starting tool, to remove loose objects.
2" U-Cutter	G-2UC	L-2UC	R-2UC	Starting tool, for cutting and scraping.
3" Heavy Duty Side Cutter	G-3HDSC	L-3HDSC	R-3HDSC	Finishing tool, for scraping inside edges of pipe.
3" Heavy Duty Saw Blade	G-3HDB	L-3HDB	R-3HDB	Heavy duty tool for cutting roots.
4" Rotary Saw Blade	G-4RSB	L-4RSB	R-4RSB	For cutting roots.
Retrieving Tool	G-RTR-2	L-RTR-2	R-RTR-2	For removing loose objects and broken cables.

Note: There are no fixed rules for what cutter to use. If one tool doesn't take care of a stoppage, simply try another.

OPERATION

"CLOSE-UP" OPERATION

MAKE SURE THE MOTOR SWITCH IS IN THE 'OFF' POSITION!

If you will have to operate in a confined space, the Rodrunner should be used in the "Close-up" configuration.

1. Place machine at a distance not greater than two feet from the drain opening and lock the brake.
2. Position the air foot pedal for easy accessibility. The machine is designed for one-person operation. Be sure you can quickly remove your foot from the pedal in an emergency.
3. Attach the rear guide hose to the prongs at the back of the machine and tighten thumbscrew.
4. Attach a cutter to the female end of a section of cable. Be sure the plunger pin clicks into place. The Spear Head or 2" U-Cutter are good tools to start with to get the line open. After water is flowing, switch to the larger cutters.



5. Push the section into the drain opening as far as it will go. Depending on the location of the clog or bends in the line, you may be able to put several lengths of cable into the drain. Slide the other end of last cable inserted into the drain into the chuck as far as it will go.
6. Place air switch on floor beside drain opening.
7. Pull just enough cable from the machine to make a small arc. Push the chuck handle down to lock cable in place. Turn knurled knob to adjust gripping power of chuck.
8. Switch the motor to **forward**. Then, with leather-gloved hands, put one hand on the cable and one hand on the chuck handle. Step on the air switch and the cable will begin to corkscrew its way into the drain.
9. Once the slack is gone, stop. Lift the chuck handle and pull more cable from machine. Push the chuck handle down and run the cable into the drain again.
10. When you are within a few feet of the end of the section, stop. Pull the end of the cable out of the machine and slide a new one in, male end first. Couple the two cables together and continue to run the cable into the drain as before.

**DO NOT USE TOO MUCH FORCE –
LET THE CUTTER DO THE WORK.**

11. If the cable begins to buckle or twist, stop by taking your foot off the air switch. When you reach some resistance in the drain, move the motor switch to reverse and run for several seconds. Then, back to forward again. Allow cable to stop spinning before going in other direction.
12. After the drain is clear, retract the cable by putting the motor in reverse. The cable will corkscrew out by itself. Do not allow too much slack between drain and machine. Lift chuck handle and slide excess cable into machine. Disconnect sections as they emerge from the drain.

“WALK-IN” OPERATION



MAKE SURE THE MOTOR SWITCH IS IN THE ‘OFF’ POSITION!

If you have 12 to 15 feet of clear area around the drain opening to allow the machine to operate safely, the Rodrunner can be used in the “Walk-in” configuration.

1. Attach a cutter to the female end of a section of cable. Be sure the plunger pin clicks into place. The Spear Head or 2" U-Cutter are good tools to start with to get the line open. After the water is flowing, switch to one of the larger cutters.
2. Push the section into the drain opening as far as it will go. Depending on the location of the clog or bends in the line, you may be able to put in several lengths of cable.
3. Slide other end of last cable inserted into drain into chuck about a foot. Pull chuck handle down to lock cable in place. Turn the knurled knob to adjust gripping power of chuck. Back up the machine so that there is no slack between machine and drain or the cable will whip.



DO NOT ALLOW TOO MUCH SLACK IN THE CABLE BETWEEN MACHINE AND DRAIN OPENING SINCE THIS CAN CAUSE CABLE WHIPPING.



4. Put the motor switch in **forward**. Stand behind the machine and press the air switch. Machine will move toward drain opening. Allow cable to work its way through drain by itself.

DO NOT USE TOO MUCH FORCE – LET THE CUTTER DO THE WORK.

5. If you have difficulty getting the cable through the trap, you can use the optional cable feeding tool (Cat. # CF). Place air switch on the floor beside drain opening. Press cable feeding tool so that it pinches the cable against edge of pipe. With motor switch in **forward**, step on the air switch and run machine until cable moves freely into drain.



6. When all but the last two feet of cable have been feed into the drain, stop. Lift chuck handle and remove end of cable. Pull the machine back about ten feet. Attach the female end of the next section to the male end of the one on the drain. Put the male end of the section into the chuck and lock the handle down. Make sure there is no slack in the cable before starting again.
7. If the cable begins to buckle or twist, stop by taking your hand off the air switch. When you reach some resistance in the drain, move the motor switch to reverse and run for several seconds. Then switch to forward again. Allow cable to stop spinning before going in other direction.
8. After drain is clear, retract the cable by putting machine in reverse and backing machine away from drain opening. Allow cable to move out of drain at its own rate. Disconnect sections as they emerge from drain.

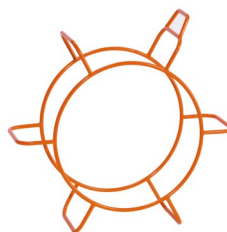
Hint: It's often helpful to have a small stream of water running in the line to wash the cuttings away while the machine is in operation and after.

SPECIAL OPERATIONS FOLDING HANDLE

To make the Rodrunner more compact, it is equipped with a folding handle. By loosening the knobs on each side of the handle, you can fold it forward. When the handle is raised, retighten the knobs.



Optional Cable Feeding Tool (Cat. # CF)



Optional Cable Carrier (Cat. # CC)
Holds five 10-foot sections.

Optional Wheeled Cable Carrier (Cat. # WCC)
Holds five 10-foot sections.



MAINTENANCE



DISCONNECT MACHINE FROM POWER SOURCE BEFORE PERFORMING MAINTENANCE!

To keep your machine operating smoothly, it is essential that all bearings and bushings be lubricated. Oiling moving parts is particularly important where machine comes in contact with sand, grit and other abrasive material.

CABLE MAINTENANCE

To get maximum service from your cables, be sure that they are clean and well oiled. This not only provides running lubrication but greatly extends the life of the cables as well. Our SNAKE OIL is ideally suited for this purpose, since it not only lubricates the cables, it deodorizes them as well.



TO CLEAN OR REPLACE CHUCK JAWS

1. Loosen screws holding chuck cover in place and remove cover.
2. Remove RD-201-C limit screw so that chuck handle will slide past hole. Chuck cone will slide back allowing the chuck jaws to pop out.

3. Clean jaws. Replace if worn.
4. Place jaws in holes in clutch body. Pull chuck handle down. Chuck cone will slide forward to hold jaws in place. Then replace limiting screw.
5. Replace chuck cover.

TO ADJUST SAFETY CLUTCH

1. The safety clutch is located at the back of the chuck assembly. It's designed to protect your cables against brakeage and is factory preset at 18-20 ft-lbs. of torque. Under normal usage of your machine, no adjustments need to be made to the clutch.
2. The back of the tube that the cable sections run through is threaded. Screwed onto this tube is a collar that presses against a spring that maintains pressure on the clutch face. To increase or decrease clutch slippage, loosen the screw in the collar and turn collar until you obtain desired tension. Then tighten the screw in the collar.
3. If you find it necessary to change the clutch tension remember, the clutch is on your machine to protect your cables! Don't tighten to the point where sections will be damaged before the clutch slips.

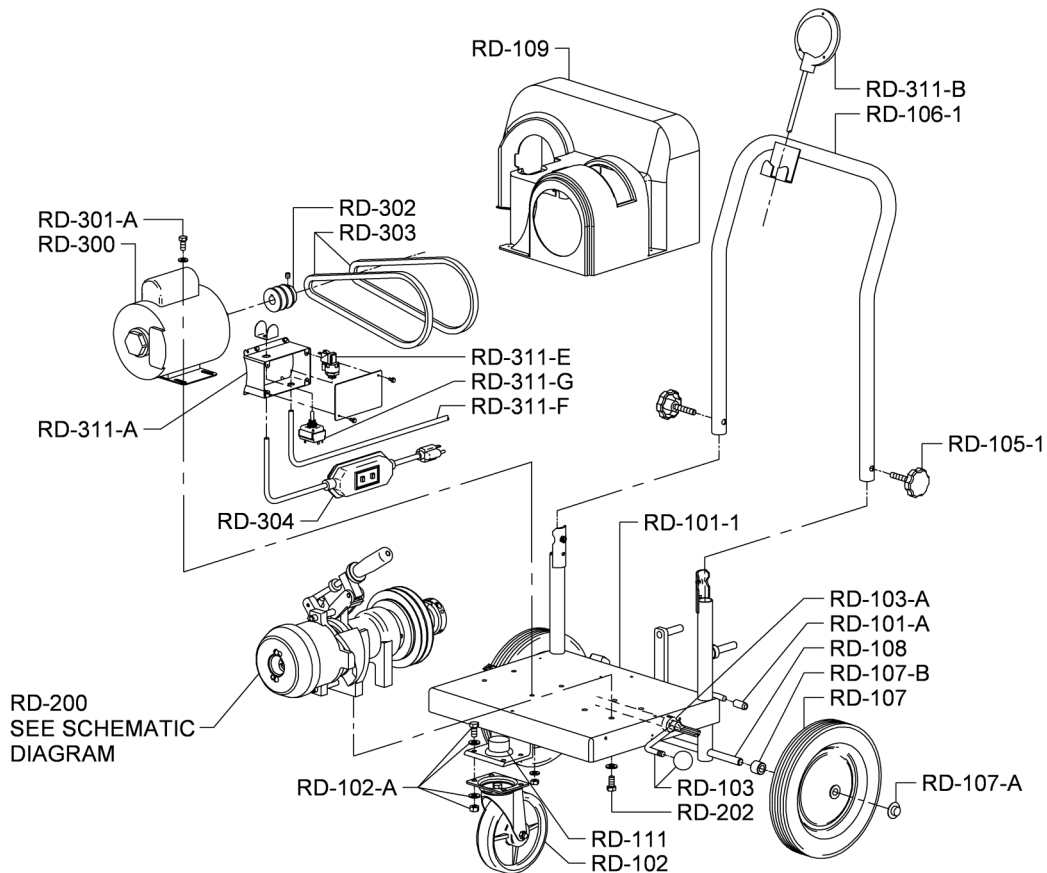
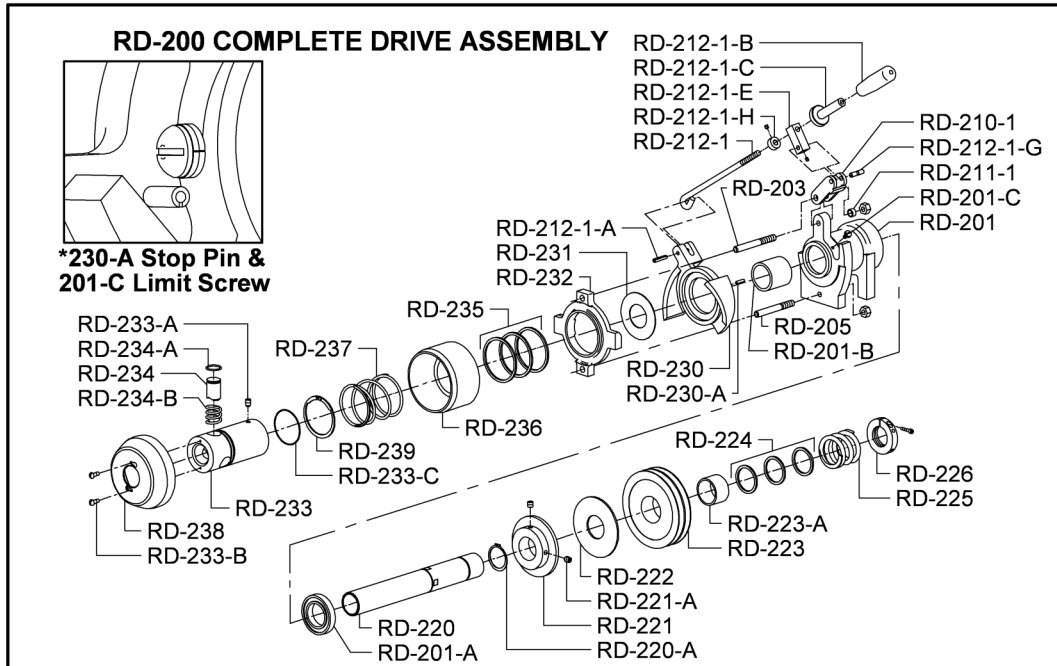
Trouble Shooting Guide (Table 3)

Problem	Probable Cause	Solution
Cable tangles, kinks or breaks.	Operator forcing the cable.	Do not force the cable. Let the cutter do the work.
	Too much slack between machine and drain.	Do not allow slack between machine and drain.
	Cable used in wrong size drain line.	A cable that is too large or too small in diameter for a line is more likely to kink. (Consult Table 1—Cable Applications.)
	Cable exposed to acid.	Clean and oil cables regularly.
	Safety Clutch tension too high.	Loosen Safety Clutch to allow to slip.
Chuck slips.	Dirt build-up or lack of lubrication.	Disassemble chuck, clean and lubricate assembly. Lubricate regularly as per instructions. Badly worn jaws must be replaced.
	Kinked Cables.	Kinked cables will not fit through chuck. Repair or replace damaged sections.
Motor stops while switch is depressed. Restarts when pedal is re-depressed.	Hole in air switch or hose.	Replace damaged component.
Motor turns in one direction but not other.	Reverse switch failure.	Replace reverse switch.
Ground Fault Circuit Interrupter trips and will not reset.	Damaged power cord or extension cord.	Replace cords.
	Short circuit in motor.	Take motor to authorized repair center.
	Faulty ground fault circuit interrupter.	Replace Ground Fault Circuit Interrupter.

Rodrunner Parts List

CAT. NO.	DESCRIPTION	CAT. NO.	DESCRIPTION
RD-100	Frame Complete	RD-223	Double Grooved Clutch Pulley
RD-100-1	Frame Complete	RD-223-A	Double Grooved Pulley Bushing
RD-101	Base w/Axle	RD-224	Thrust Bearing Set
RD-101-1	Base w/Axle	RD-225	Tension Spring
RD-101-A	Rubber Cord Wrap Tips (2)	RD-226	Tension Adjusting Collar w/Cap Screw
RD-102	5" Caster	RD-230	Chuck Cam
RD-102-A	Caster Retaining Bolts, Nuts, & Washers (4)	RD-230-A	Stop Pin (Serial #1412 & Up)
RD-103	Brake Rod w/Handle & Knob	RD-231	Steel Plate Spacer
RD-103-A	Brake Rod Retaining Collar w/Set Screw (2)	RD-232	Chuck Cam Follower
RD-104	Handle Sockets (2)	RD-233	Chuck Body w/Spring Retaining Ring for Return Spring (RD-239)
RD-104-A	Hex Head Bolts w/Hex Nuts 1-3/4" (2)	RD-233-A	Chuck Body Set Screws (2)
RD-105	Handle Locking Knobs (2)	RD-233-B	Chuck Cone Cover Screws (2)
RD-105-1	Handle Locking Knobs (2)	RD-233-C	Positioning Ring for Chuck Jaws
RD-106	Handle	RD-234	Chuck Jaws w/Rings (3) (for 1-1/4" dia. Cables)
RD-106-1	Handle	R-R10AD	Chuck Jaws w/Rings (3) (for 7/8" dia. Cables)
RD-107	10" Rubber Wheel w/Hat-Type Push Nut (1)	RD-234-A	Chuck Jaw Rings (3)
RD-107-A	Hat-Type Push Nut (2)	RD-234-B	Chuck Jaw Springs (3)
RD-107-B	Wheel Spacer (2)	RD-235	Chuck Bearing & Races
RD-108	Axle	RD-236	Chuck Cone
RD-109	Plastic Cover	RD-237	Chuck Cone Return Spring
RD-110	Plastic Cover Screws (4)	RD-238	Chuck Cone Cover
RD-111	Section Counter Assembly	RD-239	Spring Retaining Ring for Return Spring
RD-200	Complete Drive Assembly	RD-300	3/4hp Motor w/GFCI, Foot Switch & Rev. Sw.
RD-201	Bearing Housing Complete	RD-300-1HP	1hp Motor w/GFCI, Foot Switch & Rev. Sw.
RD-201-A	Rear Ball Bearing	RD-301-A	5/16" Hex Head Bolt w/Hex Nut (4)
RD-201-B	Front Bronze Bushing	RD-301-B	5/16" SAE Washer (8)
RD-201-C	Limit Screw (Serial #1412 & Up)	RD-302	Double Grooved Motor Pulley
RD-202	Hex Head Bolts 3/8" x 3/4" w/Washers (4)	RD-303	30" V-Belts (2)
RD-203	Upper Cam Follower Guide Pin w/Nut	RD-304	20 ft. Power Cord w/Moulded Plug & GFCI
RD-205	Lower Cam Follower Guide Pin w/Nut	RD-311	Air Foot Switch & Reverse Switch Assembly
RD-212-210-1	Chuck Handle Assembly	RD-311-A	Box Only w/Cover & Screws
RD-210-1	Chuck Handle Link	RD-311-B	Foot Pedal & Hose
RD-211-1	Chuck Handle Link Spacer	RD-311-C	Hose Clamp
RD-212-1	Chuck Handle Rod	RD-311-D	Foot Pedal Only
RD-212-1-A	Chuck Handle Rod Roll Pin	RD-311-E	Power Switch Diaphragm
RD-212-1-B	Aluminum Chuck Handle	RD-311-F	Air Hose (11 ft.)
RD-212-1-C	Chuck Handle Adjusting Nut	RD-311-G	Reverse Switch (3-Way)
RD-212-1-E	Chuck Handle Block w/Set Screw	RD-311-H	Rubber Boot (Rental Units Only)
RD-212-1-F	Chuck Handle Block Screw	RD-311-J	Barbed Adapter
RD-212-1-G	Chuck Handle Block Pin	RD-311-N	Strain Relief Nut
RD-212-1-H	Chuck Handle Collar w/Set Screw	RGH	Rear Guide Hose
RD-220	Chuck Shaft	CF	Cable Feeding Tool
RD-220-A	Chuck Shaft Snap Ring	RD-DECAL	Set of Safety Decals
RD-221	Clutch Pressure Plate Casting	RD-VIDEO	Instructional Video
RD-221-A	3/8" Allen Head Set Screws (2)		
RD-222	Friction Disc		

RODRUNNER SCHEMATIC DIAGRAM



IMPORTANT: When ordering, give Serial Number of Machine.

**General Wire Spring Co,
1101 Thompson Avenue
McKees Rocks, PA 15136**

412-771-6300

www.drainbrain.com