

BASEBOARD HEATER

FEATURES

**EXCLUSIVE** CONTOURED DESIGN WITH FULL ROUNDED END CAPS FOR SAFETY AND CONTEMPORARY STYLING

MAY BE USED WITH WALL OR UNIQUE SIDE MOUNTED BUILT-IN THERMOSTAT (NOT INCLUDED)

LARGE REAR ENTRY JUNCTION BOXES ON BOTH SIDES OF UNIT FOR QUICK AND EASY INSTALLATION

FULL LENGTH AUTOMATIC RESET OVERHEAT PROTECTION FOR SAFETY

APPLICATIONS

ALL RESIDENTIAL APPLICATIONS, COMMERCIAL OFFICES, WASHROOMS, MEETING ROOMS, LOBBIES

Slim contoured design is the perfect complement for both contemporary and traditional decors.

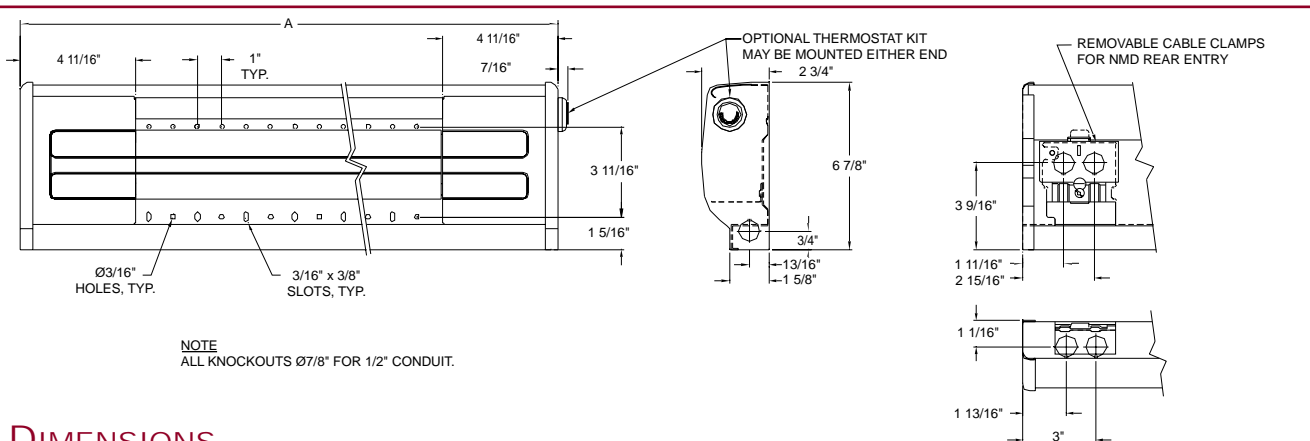
**NEW**



UNIQUE SIDE MOUNT OPTIONAL THERMOSTAT MAY BE INSTALLED FROM THE REAR.

SPECIFICATIONS

- VOLTAGE** 120, 208, 240, 277 volts.
- WATTAGE** Sizes ranging from 300W to 2500W.
- COLOR** White or Almond
- FINISH** Specially-formulated powder coating is environmentally friendly and resists fading and abrasion.
- HEATING ELEMENT** A nickel chromium element is totally enclosed within a stainless steel sheath providing superior life expectancy. Aluminum fins are firmly staked to the surface and provide excellent heat transfer.
- INSTALLATION & OPERATION** Large rear entry left and right junction boxes provide ease of installation. A thermostat control (wall mounted or built-in) is required to operate this unit (supplied separately).
- WARRANTY** Ten year element warranty. One year warranty on complete unit.



DIMENSIONS

BASEBOARD HEATER

ORDERING GUIDE

CAT. No.	WATTS	BTU	VOLTS	LGTH. IN.	WGT. LBS.
BN2203W11 (white)	300	1024	120	22.1	6.0
BN2203W21	300	1024	208		
BN2203W31	300/225	1024/768	240/208		
BN2805W11	500	1706	120	27.6	7.0
BN2805W21	500	1706	208		
BN2805W31	500/375	1706/1280	240/208		
BN2805W41	500/433	1706/1478	277/240		
BN3907W11	750	2559	120		
BN3907W21	750	2559	208	38.6	9.0
BN3907W31	750/563	2559/1919	240/208		
BN3907W41	750/563	2559/1919	277/240		
BN4810W11	1000	3412	120	47.6	11.0
BN4810W21	1000	3412	208		
BN4810W31	1000/750	3412/2559	240/208		
BN4810W41	1000/750	3412/2559	277/240		
BN5712W11	1250	4265	120	56.7	13.0
BN5712W21	1250	4265	208		
BN5712W31	1250/938	4265/3199	240/208		
BN5712W41	1250/938	4265	277/240		
BN6615W11	1500	5118	120	65.8	14.0
BN6615W21	1500	5118	208		
BN6615W31	1500/1125	5118/3839	240/208		
BN6615W41	1500/1125	5118/3839	277/240		
BN7517W21	1750	5971	208	74.8	16.0
BN7517W31	1750/1313	5971/4478	240/208		
BN7517W41	1750/1313	5971/4478	277/240		
BN8420W21	2000	6824	208	83.9	19.0
BN8420W31	2000/1500	6824/5120	240/208		
BN8420W41	2000/1500	6824/5120	277/240		
BN9322W21	2250	7677	208	92.9	21.0
BN9322W31	2250/1688	7677/5758	240/208		
BN9322W41	2250/1688	7677/5758	277/240		
BN10225W21	2500	8530	208	102.0	22.0
BN10225W31	2500/1875	8530/6398	240/208		
BN10225W41	2500/1875	8530/6398	277/240		

Note: Standard color is White. To order Almond omit "W" in Cat. No.

CONTROL OPTIONS (FIELD INSTALLATION)

CAT. No.	DESCRIPTION	RATING
<b>THERMOSTAT KITS</b>		
DTK-SP	Single pole built-in thermostat kit	- 120-277V, 17A
DTK-DP	Double pole built-in thermostat kit	- 120-277V, 17A
DTKT-SP	Single pole built-in tamperproof thermostat kit	- 120-277V, 17A
DTKT-DP	Double pole built-in tamperproof thermostat kit	- 120-277V, 25A

Note: Each kit contains white and almond control knobs and hardware

RELAYS

BLLVC11	Low voltage relay & transformer kit	- 120V, 22A
BLLVC21	Low voltage relay & transformer kit	- 208V, 22A
BLLVC31	Low voltage relay & transformer kit	- 240V, 22A
BLLVC41	Low voltage relay & transformer kit	- 277V, 17A
BLLVDU	Low voltage relay less transformer	- 120/208/240/277V, 22/22/22/19A
BLLVD	Low voltage relay less transformer	120/208/240/277V, 22A

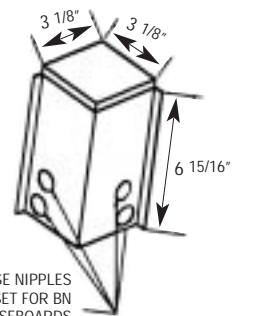
DISCONNECT SWITCH KITS

BUS1	Single Pole
BUS2	Double Pole

INSIDE CORNERS

BNIC	Almond
BNICW	White

HOLES FOR CHASE NIPPLES USE BOTTOM SET FOR BN BASEBOARDS



Note: Inside corners are used when continuous installation of baseboard cabinetry around 90 degree corners is designed.