

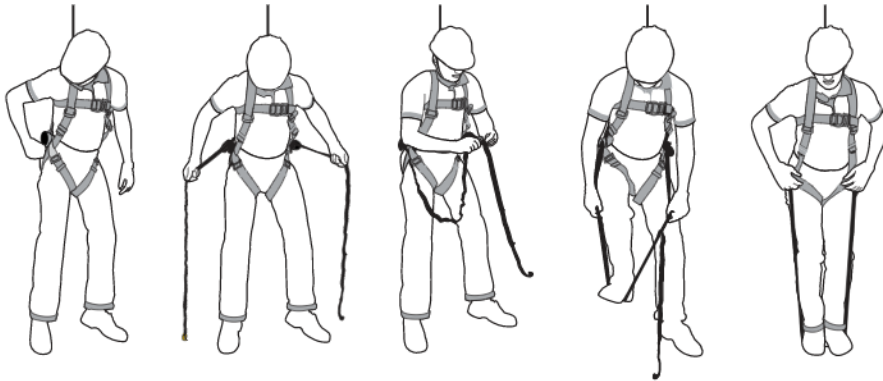
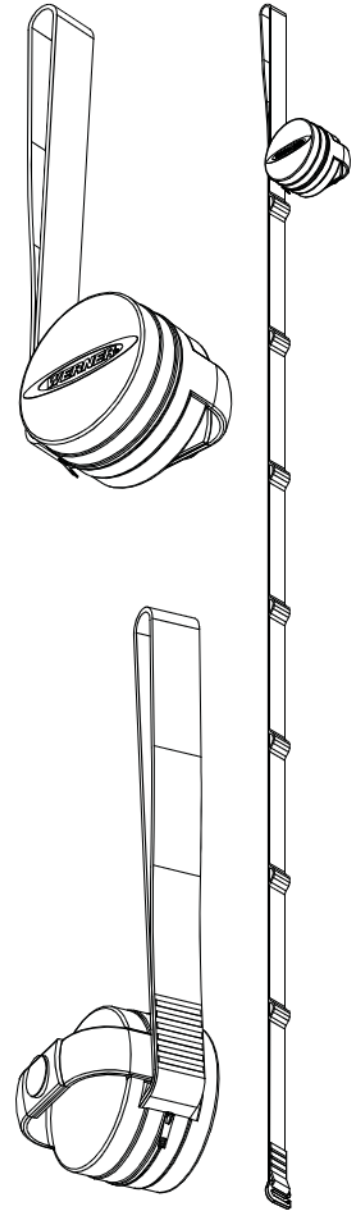


T320000

Suspension Trauma Strap

FEATURES

- Black polyester webbing
- Zipper enclosure
- Snap closure to hold in place
- Connection points every 6 inches



⚠ WARNING: Compliant fall protection equipment must only be used as it was designed. Users **MUST** read and understand all user instructions provided with the product. Before using a fall arrest system, users must be trained in the safe use of the system, as required by OSHA 29 CFR 1910.30 and 1926.503, or local safety regulations. Misuse or failure to follow these warnings and instructions may result in injury or even death.

WORK SAFE! WORK SMART!

Technical Data Sheet

WERNER CO. CORPORATE HEADQUARTERS: 93 Werner Rd., Greenville, PA 16125-9499

TEL: 888-523-3370 FAX: (724) 588-0315 www.wernerco.com