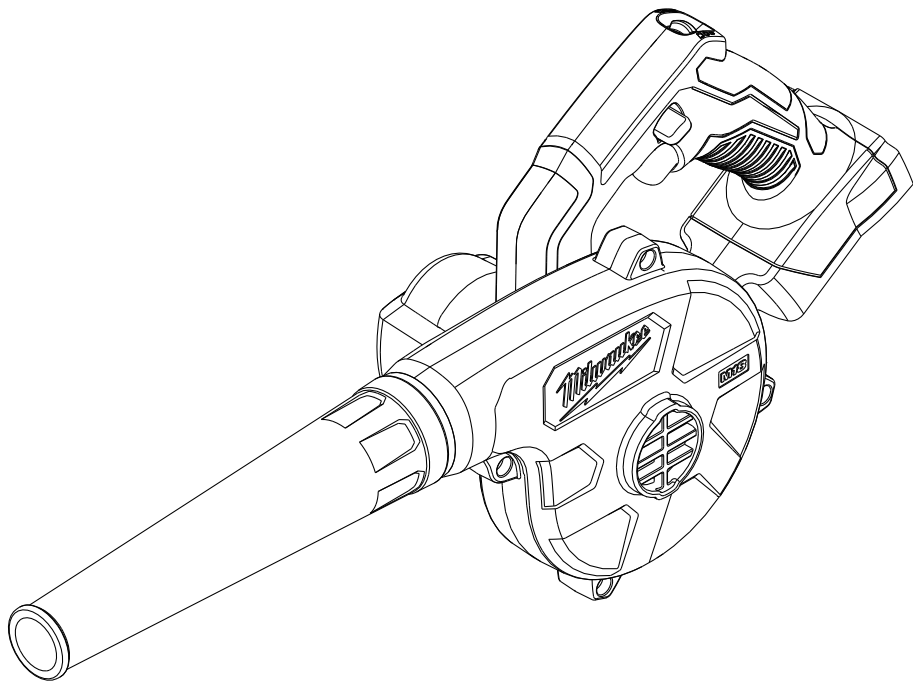







OPERATOR'S MANUAL  
MANUEL de L'UTILISATEUR  
MANUAL del OPERADOR



Cat. No. / No de cat.  
**0884-20**

**M18™ CORDLESS COMPACT BLOWER**  
**SOUFFLANTE COMPACTE SANS FIL M18™**  
**SOPLADOR INALÁMBRICO COMPACTO M18™**

 **WARNING** To reduce the risk of injury, user must read and understand operator's manual.  
 **AVERTISSEMENT** Afin de réduire le risque de blessures, l'utilisateur doit lire et bien comprendre le manuel.  
 **ADVERTENCIA** Para reducir el riesgo de lesiones, el usuario debe leer y entender el manual.

# IMPORTANT SAFETY INSTRUCTIONS

**⚠WARNING** WHEN USING AN ELECTRICAL BLOWER, BASIC PRECAUTIONS SHOULD ALWAYS BE FOLLOWED, INCLUDING THE FOLLOWING: READ ALL INSTRUCTIONS BEFORE USING BLOWER. FOR HOUSEHOLD OR COMMERCIAL USE. BEFORE USING THE BLOWER, READ THIS OPERATOR'S MANUAL, YOUR BATTERY PACK AND CHARGER OPERATOR'S MANUALS, AND ALL LABELS ON THE BLOWER, BATTERY PACK, AND CHARGER. TO REDUCE THE RISK OF FIRE, ELECTRIC SHOCK, OR INJURY:

## WORK AREA SAFETY

- **Keep work area clean and well lit.** Cluttered or dark areas invite accidents.
- **Workers have motors and other parts that can produce sparks during normal use.** Do not use within 30 feet of areas where explosive materials may be present (such as gasoline pumps and places where liquids like paint thinners, cleaners, solvents, etc. are stored).
- **Do not use in the presence of explosive dust, liquids or vapors.**
- **Do not use where oxygen or anesthetics are used.**
- **Do not allow to be used as a toy.** Close attention is necessary when used by or near children.
- **Use extra care when using on stairs.**

## ELECTRICAL SAFETY

- **Do not handle charger, battery pack or blower with wet hands.**

## PERSONAL SAFETY

- **STAY ALERT.** Watch what you are doing and use common sense. Do not use blower when you are tired, distracted or under the influence of drugs, alcohol or medication causing diminished control.
- **The operation of a blower can result in foreign objects being blown into eyes,** which can result in eye damage. User and bystanders must wear safety goggles or glasses with side shields when blower is in operation.
- **Wear a face or dust mask** when working in dust situations. Dust particles can harm your lungs.
- **Avoid accidental starting. Ensure the switch is in the off-position before inserting battery pack.** Inserting battery pack in blower that has the switch on invites accidents.
- **Do not overreach. Keep proper footing and balance at all times.** This enables better control of the blower in unexpected situations.

- **Keep hair, loose clothing, fingers, and all parts of body away from openings and moving parts.**

## USE AND CARE

- **Use only as described in this manual.** Use only manufacturer's recommended attachments.
- **Do not use to blow flammable or combustible liquids** such as gasoline or use in areas where they may be present.
- **Do not blow anything that is burning or smoking** such as cigarettes, matches, or hot ashes.
- **To reduce the risk of health hazards from vapors or dust, do not blow toxic, carcinogenic or other hazardous materials** such as asbestos, arsenic, barium, beryllium, lead, pesticides or other health endangering materials.
- **⚠WARNING** Some dust created by power sanding, sawing, grinding, drilling, and other construction activities contains chemicals known to cause cancer, birth defects or other reproductive harm. Some examples of these chemicals are:
  - lead from lead-based paint
  - crystalline silica from bricks and cement and other masonry products, and
  - arsenic and chromium from chemically-treated lumber.

Your risk from these exposures varies, depending on how often you do this type of work. To reduce your exposure to these chemicals: work in a well ventilated area, and work with approved safety equipment, such as those dust masks that are specially designed to filter out microscopic particles.

- **Do not leave blower unattended when battery pack is installed.** Remove battery pack when not in use and before servicing.
- **Do not put any object into openings.** Do not use with any opening blocked; keep free of dust, lint, hair, and anything else that may reduce air flow.
- **Maintain blower. Check for misalignment or binding of moving parts, breakage of parts and any other condition that may affect the blower's operation. If damaged, have the blower repaired before use.** Many accidents are caused by poorly maintained tools.
- **Maintain labels and nameplates.** These carry important information. If unreadable or missing, contact a MILWAUKEE service facility for a free replacement.
- **Use blower only with specifically designated battery packs.** Use of any other battery packs may create a risk of injury and fire.
- **Turn off all controls before removing battery pack.**
- **To reduce the risk of electric shock, do not use on wet surfaces. Do not expose to rain. Store indoors. Do not charge outdoors.**

## BATTERY PACK USE AND CARE

- **Recharge only with the charger specified by the manufacturer.** A charger that is suitable for one type of battery pack may create a risk of fire when used with another battery pack.
- **When battery pack is not in use, keep it away from other metal objects like paper clips, coins, keys, nails, screws, or other small metal objects that can make a connection from one terminal to another.** Shorting the battery terminals together may cause burns or a fire.
- **Do not use damaged battery pack or blower.** If battery pack or blower are not working as they should, have been dropped, damaged, left outdoors, or dropped into water, return them to a service center.

•Do not burn or incinerate battery packs. Battery packs may explode, causing personal injury or damage. Toxic fumes and materials are created when battery packs are burned.

## SERVICE

•Have your power tool serviced by a qualified repair person using only identical replacement parts. This will ensure that the safety of the power tool is maintained.

## SPECIFIC SAFETY RULES FOR COMPACT BLOWER

•Before using the blower, read this operator's manual, your battery pack and charger operator's manuals, and all labels on the blower, battery pack, and charger.

•Wear ear protectors. Exposure to noise can cause hearing loss.

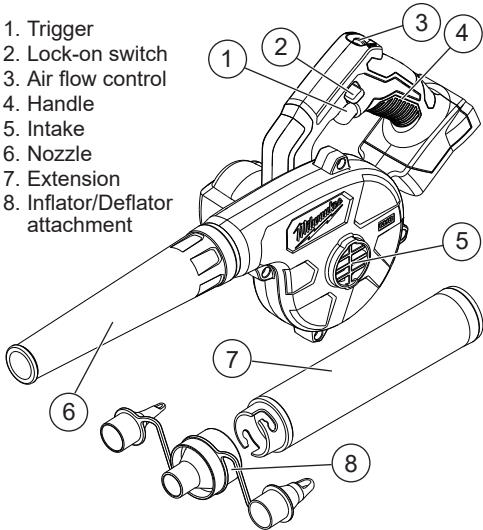
•**WARNING** To reduce the risk of injury in applications that produce a considerable amount of dust, use an OSHA compliant dust extraction solution in accordance with the solution's operating instructions.

•Always use common sense and be cautious when using tools. It is not possible to anticipate every situation that could result in a dangerous outcome. Do not use this tool if you do not understand these operating instructions or you feel the work is beyond your capability; contact Milwaukee Tool or a trained professional for additional information or training.

# READ AND SAVE ALL INSTRUCTIONS FOR FUTURE USE

## FUNCTIONAL DESCRIPTION

1. Trigger
2. Lock-on switch
3. Air flow control
4. Handle
5. Intake
6. Nozzle
7. Extension
8. Inflator/Deflator attachment



## SPECIFICATIONS

Cat. No.....	0884-20
Volts.....	18 DC
Battery Type.....	M18™
Charger Type.....	M18™
Air Speed.....	160 MPH
Fan Speed.....	18,000 RPM
Recommended Ambient Operating Temperature.....	0°F to 125°F

## SYMBOLGY

	Volts
	Direct Current
	Read operator's manual
	Wear eye protection
	UL Listing for Canada and U.S.

## ASSEMBLY

•**WARNING** Recharge only with the charger specified for the battery. For specific charging instructions, read the operator's manual supplied with your charger and battery.

### Removing/Inserting the Battery

To remove the battery, push in the release buttons and pull the battery pack away from the tool.

•**WARNING** Always remove battery pack before changing or removing accessories.

To insert the battery, slide the pack into the body of the tool. Make sure it latches securely into place.

•**WARNING** Only use accessories specifically recommended for this tool. Others may be hazardous.

### Installing/Removing the Accessories

#### Blower:

To **install** the nozzle, extension, or inflator adaptor, line up the lugs of the accessory with the slots on the blower. Push the accessory onto the blower. Twist the accessory clockwise to lock into place.

To **remove** the accessory, twist counter-clockwise and pull away from the blower.

#### Deflator:

To **install** the adaptor onto the intake, line up the detents on the adaptor with the tabs on the top and bottom of the intake. Slide the adaptor onto the intake. To **remove** the adaptor from the intake, pull the adaptor away from the tool.

## OPERATION

**⚠WARNING** To reduce the risk of fire and injury, do not use to blow flammable or combustible materials.

To reduce the risk of injury, user and bystanders must wear safety goggles or glasses with side shields. Use of blower can result in foreign objects being blown into eyes, which can result in eye damage.

### Selecting Air Flow

The blower can be set to three air flow speeds: low, medium, and high. Push the air flow control up to increase air flow; push it down to decrease air flow.

### Starting, Stopping, and Controlling Air Flow

1. To **start** the blower, pull the trigger.
2. To **vary** the air flow, increase or decrease the pressure on the trigger. The further the trigger is pulled, the greater the airflow speed, up to the maximum set by the airflow control.
3. To **stop** the blower, release the trigger.

### Lock-on

To lock-on the trigger for continuous use:

1. Pull the trigger.
2. Push down on the lock-on switch.
3. Release the trigger.
4. To stop the blower, pull and release the trigger.

## MAINTENANCE

**⚠WARNING** To reduce the risk of injury, always unplug the charger and remove the battery pack from the charger or tool before performing any maintenance. Never disassemble the tool, battery pack or charger. Contact a MILWAUKEE service facility for ALL repairs.

### Maintaining Tool

Keep your tool, battery pack and charger in good repair by adopting a regular maintenance program. Inspect your tool for issues such as undue noise, misalignment or binding of moving parts, breakage of parts, or any other condition that may affect the tool operation. Return the tool, battery pack, and charger to a MILWAUKEE service facility for repair. After six months to one year, depending on use, return the tool, battery pack and charger to a MILWAUKEE service facility for inspection.

If the tool does not start or operate at full power with a fully charged battery pack, clean the contacts on the battery pack. If the tool still does not work properly, return the tool, charger and battery pack, to a MILWAUKEE service facility for repairs.

**⚠WARNING** To reduce the risk of personal injury and damage, never immerse your tool, battery pack or charger in liquid or allow a liquid to flow inside them.

### Cleaning

Clean dust and debris from vents. Keep handles clean, dry and free of oil or grease. Use only mild soap and a damp cloth to clean, since certain cleaning agents and solvents are harmful to plastics and other insulated parts. Some of these include gasoline, turpentine, lacquer thinner, paint thinner, chlorinated cleaning solvents, ammonia and household detergents containing ammonia. Never use flammable or combustible solvents around tools.

## Repairs

For repairs, return the tool, battery pack and charger to the nearest service center.

## ACCESSORIES

**⚠WARNING** Use only recommended accessories. Others may be hazardous.

For a complete listing of accessories, go online to [www.milwaukeetool.com](http://www.milwaukeetool.com) or contact a distributor.

## SERVICE - UNITED STATES

**1-800-SAWDUST (1.800.729.3878)**

Monday-Friday, 7:00 AM - 6:30 PM CST

or visit [www.milwaukeetool.com](http://www.milwaukeetool.com)

Contact Corporate After Sales Service Technical Support with technical, service/repair, or warranty questions.

Email: [metproductsupport@milwaukeetool.com](mailto:metproductsupport@milwaukeetool.com)

Become a Heavy Duty Club Member at [www.milwaukeetool.com](http://www.milwaukeetool.com) to receive important notifications regarding your tool purchases.

## SERVICE - CANADA

**Milwaukee Tool (Canada) Ltd**  
**1.800.268.4015**

Monday-Friday, 7:00 AM - 4:30 PM CST

or visit [www.milwaukeetool.ca](http://www.milwaukeetool.ca)

## LIMITED WARRANTY USA & CANADA

Every MILWAUKEE power tool\* (see exceptions below) is warranted to the original purchaser only to be free from defects in material and workmanship. Subject to certain exceptions, MILWAUKEE will repair or replace any part on an electric power tool which, after examination, is determined by MILWAUKEE to be defective in material or workmanship for a period of five (5) years\*\* after the date of purchase unless otherwise noted. Return of the power tool to a MILWAUKEE factory Service Center location or MILWAUKEE Authorized Service Station, freight prepaid and insured, is required. A copy of the proof of purchase should be included with the return product. This warranty does not apply to damage that MILWAUKEE determines to be from repairs made or attempted by anyone other than MILWAUKEE authorized personnel, misuse, alterations, abuse, normal wear and tear, lack of maintenance, or accidents.

Normal Wear: Many power tools need periodic parts replacement and service to achieve best performance. This warranty does not cover repair when normal use has exhausted the life of a part including, but not limited to, chucks, brushes, cords, saw shoes, blade clamps, o-rings, seals, bumpers, driver blades, pistons, strikers, lifters, and bumper cover washers.

\*This warranty does not cover Air Nailers & Staplers; Airless Paint Sprayer; Cordless Battery Packs; Gasoline Driven Portable Power Generators; Hand Tools; Hoist - Electric, Lever & Hand Chain; M12™ Heated Gear; Reconditioned Product; and Test & Measurement Products. There are separate and distinct warranties available for these products.

\*\*The warranty period for Job Site Radios, M12™ Power Port, M18™ Power Source, Jobsite Fan and Trade Titan™ Industrial Work Carts is one (1) year from the date of purchase. The warranty period for the Drain Cleaning Cables is two (2) years from the date of purchase. The warranty period for the M18™ Compact Heat Gun and the 8 Gallon Dust Extractor is three (3) years from the date of purchase. The warranty period for the LED in the LED Work Light and the LED Upgrade Bulb for the Work Light is the lifetime of the product subject to the limitations above. If during normal use the LED or LED Bulb fails, the part will be replaced free of charge.

Warranty Registration is not necessary to obtain the applicable warranty on a MILWAUKEE power tool product. The manufacturing date of the product will be used to determine the warranty period if no proof of purchase is provided at the time warranty service is requested.

ACCEPTANCE OF THE EXCLUSIVE REPAIR AND REPLACEMENT REMEDIES DESCRIBED HEREIN IS A CONDITION OF THE CONTRACT FOR THE PURCHASE OF EVERY MILWAUKEE PRODUCT. IF YOU DO NOT AGREE TO THIS CONDITION, YOU SHOULD NOT PURCHASE THE PRODUCT. IN NO EVENT SHALL MILWAUKEE BE LIABLE FOR ANY INCIDENTAL, SPECIAL, CONSEQUENTIAL OR PUNITIVE DAMAGES, OR FOR ANY COSTS, ATTORNEY FEES, EXPENSES, LOSSES OR DELAYS ALLEGED TO BE AS A CONSEQUENCE OF ANY DAMAGE TO, FAILURE OF, OR DEFECT IN ANY PRODUCT INCLUDING, BUT NOT LIMITED TO, ANY CLAIMS FOR LOSS OF PROFITS. SOME STATES DO NOT ALLOW THE EXCLUSION OR LIMITATION OF INCIDENTAL OR CONSEQUENTIAL DAMAGES, SO THE ABOVE LIMITATION OR EXCLUSION MAY NOT APPLY TO YOU. THIS WARRANTY IS EXCLUSIVE AND IN LIEU OF ALL OTHER EXPRESS WARRANTIES, WRITTEN OR ORAL. TO THE EXTENT PERMITTED BY LAW, MILWAUKEE DISCLAIMS ANY IMPLIED WARRANTIES, INCLUDING WITHOUT LIMITATION ANY IMPLIED WARRANTY OF MERCHANTABILITY OR FITNESS FOR A PARTICULAR USE OR PURPOSE, TO THE EXTENT SUCH DISCLAIMER IS NOT PERMITTED BY LAW, SUCH IMPLIED WARRANTIES ARE LIMITED TO THE DURATION OF THE APPLICABLE EXPRESS WARRANTY AS DESCRIBED ABOVE. SOME STATES DO NOT ALLOW LIMITATIONS ON HOW LONG AN IMPLIED WARRANTY LASTS, SO THE ABOVE LIMITATION MAY NOT APPLY TO YOU. THIS WARRANTY GIVES YOU SPECIFIC LEGAL RIGHTS, AND YOU MAY ALSO HAVE OTHER RIGHTS WHICH VARY FROM STATE TO STATE.

This warranty applies to product sold in the U.S.A. and Canada only. Please consult the 'Service Center Search' in the Parts & Service section of MILWAUKEE's website [www.milwaukeetool.com](http://www.milwaukeetool.com) or call 1.800.SAWDUST (1.800.729.3878) to locate your nearest service facility for warranty and non-warranty service on a Milwaukee electric power tool.

### **LIMITED WARRANTY - MEXICO, CENTRAL AMERICA & CARIBBEAN**

TECHTRONIC INDUSTRIES' warranty is for 5 years since the original purchase date.

This warranty card covers any defect in material and workmanship on this Product.

To make this warranty valid, present this warranty card, sealed/stamped by the distributor or store where you purchased the product, to the Authorized Service Center (ASC). Or, if this card has not been sealed/stamped, present the original proof of purchase to the ASC. Call 55 4160-3547 to find the nearest ASC, for service, parts, accessories or components.

#### **Procedure to make this warranty valid**

Take the product to the ASC, along with the warranty card sealed/stamped by the distributor or store where you purchased the product, and any faulty piece or component will be replaced without cost for you. We will cover all freight costs relative with this warranty process.

#### **Exceptions**

This warranty is not valid in the following situations

- When the product is used in a different manner from the end-user guide or instruction manual.
- When the conditions of use are not normal.
- When the product was modified or repaired by people not authorized by TECHTRONIC INDUSTRIES.

**Note:** If cord set is damaged, it should be replaced by an Authorized Service Center to avoid electric risks.

SERVICE AND ATTENTION CENTER

Call to 55 4160-3547

IMPORTED AND COMMERCIALIZED BY  
TECHTRONIC INDUSTRIES MEXICO, S.A. DE C.V.  
Miguel de Cervantes Saavedra No.301 Piso 5, Torre Norte  
11520 Colonia Ampliación Granada  
Miguel Hidalgo, Ciudad de Mexico, Mexico

Model: \_\_\_\_\_

Date of Purchase: \_\_\_\_\_

Distributor or Store Stamp: \_\_\_\_\_

# RÈGLES GÉNÉRALES DE SÉCURITÉ

## **AVERTISSEMENT**

**LORS DE L'UTILISATION D'UNE SOUFFLANTE ÉLECTRIQUE, DES PRÉCAUTIONS ÉLÉMENTAIRES, Y COMPRIS CELLES PRÉSENTÉES CI-DESSOUS, DOIVENT TOUJOURS ÊTRE PRISES EN COMPTE : LIRE TOUTES LES INSTRUCTIONS AVANT D'UTILISER LA SOUFFLANTE. POUR UN USAGE DOMESTIQUE OU COMMERCIALE. AVANT D'UTILISER LA SOUFFLANTE, LIRE LE PRÉSENT MANUEL D'UTILISATION, LE MANUEL D'UTILISATION DU BLOC-PILES ET DU CHARGEUR, AINSI QUE TOUTES LES ÉTIQUETTES SE TROUVANT SUR LA SOUFFLANTE, LE BLOC-PILES, ET LE CHARGEUR. POUR RÉDUIRE LE RISQUE D'INCENDIE, D'ÉLECTROCUTION OU DE BLESSURES :**

### **SÉCURITÉ DU LIEU DE TRAVAIL**

- **Veillez à ce que l'aire de travail soit propre et bien éclairée.** Le désordre et le manque de lumière favorisent les accidents.
- **Les soufflantes ont des moteurs et d'autres pièces qui peuvent produire des étincelles pendant l'utilisation normale.** Ne pas utiliser à moins de 9 m (30 pi) des zones où des matières explosives peuvent exister (tel que les pompes à essence et les zones de stockage des liquides comme les diluants pour peinture, les nettoyeurs, les solvants, etc.)
- **Ne pas utiliser en présence de liquides explosifs ou de poussière ou vapeurs explosives.**
- **Ne pas utiliser où l'oxygène ou les agents anesthésiques sont utilisés.**
- **Cet appareil n'est pas un jouet.** Une surveillance étroite est impérative lorsqu'il est utilisé par des enfants ou à leur proximité.
- **Redoubler de prudence lors de l'utilisation dans des escaliers.**

### **SÉCURITÉ ÉLECTRIQUE**

- **Ne pas manipuler le chargeur, le bloc-pile ou la soufflante avec les mains mouillées.**

### **SÉCURITÉ INDIVIDUELLE**

- **RESTER VIGILANT.** Se montrer attentif et faire preuve de bon sens. Ne pas utiliser la soufflante en cas de fatigue, distraction ou sous l'influence de l'alcool, de drogues ou de médicaments causant la perte de contrôle.
- **L'utilisation d'une soufflante peut causer la projection d'objets en direction du visage et entraîner des lésions oculaires.** L'opérateur et toute personne qui se tient à proximité doivent porter des lunettes de

sécurité ou des lunettes avec écrans latéraux lors de l'utilisation de la soufflante.

- **Porter un masque facial ou anti-poussières** en travaillant dans des zones poussiéreuses. Les particules de poussière peuvent endommager vos poumons.
- **Éviter les démarrages accidentels. S'assurer que l'interrupteur est en position d'arrêt avant d'insérer le bloc-piles.** L'insertion du bloc-piles quand l'interrupteur de la soufflante est en position de marche augmente le risque d'accidents.
- **Ne pas travailler hors de portée. Toujours se tenir bien campé et en équilibre.** Une bonne stabilité procure un meilleur contrôle de la soufflante en cas d'imprévu.
- **Garder les cheveux, les vêtements amples, les doigts ainsi que toutes les parties du corps à l'écart des ouvertures et des pièces en mouvement.**

## UTILISATION ET ENTRETIEN DE L'OUTIL ÉLECTRIQUE

- **Utiliser exclusivement selon les instructions de ce manuel.** Utiliser exclusivement les accessoires recommandés par le fabricant.
- **Ne pas utiliser l'appareil pour souffler des liquides inflammables ou combustibles** tels que l'essence, et ne pas utiliser le produit dans des environnements où il est possible de retrouver ce type de liquide.
- **Ne pas souffler d'éléments qui brûlent ou qui fument** comme des cigarettes, des allumettes ou des cendres chaudes.
- **Pour réduire les risques sur la santé attribuables aux vapeurs ou aux poussières, ne pas souffler des matières toxiques, carcinogènes ou toute autre matière dangereuse** telle que l'asbeste, l'arsenic, le baryum, le béryllium, le plomb, les pesticides ou les autres matières insalubres.

- **AVERTISSEMENT** La poussière dégagée par certains matériaux lors du ponçage, sciage, meulage, perçage et autres opérations de construction contient des produits chimiques reconnus pour causer le cancer, des malformations congénitales ou des lésions de l'appareil reproducteur. Voici certains exemples de ces produits chimiques :
  - le plomb contenu dans la peinture au plomb,
  - la silice cristalline contenue dans les briques, le ciment et d'autres produits de maçonnerie, et
  - l'arsenic et le chrome contenus dans le bois de construction traité par produits chimiques.

Le risque présenté par l'exposition à ces produits varie en fonction de la fréquence de ce type de travail. Pour réduire l'exposition à ces produits chimiques : travailler dans un endroit bien aéré et utiliser des équipements de sécurité approuvés tels que les masques anti-poussière spécialement conçus pour filtrer les particules microscopiques.

- **Ne pas laisser la soufflante sans surveillance lorsque le bloc-pile est installé.** Retirer le bloc-pile lorsque celui-ci n'est pas utilisé et avant de procéder à son entretien.
- **Ne placer aucun objet dans les ouvertures.** Ne pas utiliser le produit si l'une ou l'autre des ouvertures est obstruée. Enlever toute la poussière, toutes les peluches et tous les cheveux, ou tout autre élément pouvant réduire la circulation de l'air.
- **Effectuer l'entretien de la soufflante. Vérifier qu'aucune pièce mobile n'est mal alignée ou bloquée, qu'aucune pièce n'est brisée et s'assurer qu'aucun autre problème ne risque d'affecter le bon fonctionnement de la soufflante. En cas de dommages, faire réparer la soufflante avant l'utilisation.** Beaucoup d'accidents sont causés par des outils mal entretenus.

- **Maintenir en état les étiquettes et les plaques signalétiques.** Des informations importantes y figurent. Si elles sont illisibles ou manquantes, contacter un centre de service et d'entretien MILWAUKEE pour un remplacement gratuit.
- **N'utiliser la soufflante qu'avec des bloc-piles recommandés.** L'utilisation de tout autre bloc-piles peut créer un risque de blessures et d'incendie.
- **Arrêter toutes les commandes avant de retirer le bloc-pile.**
- **Pour réduire le risque de choc électrique, ne pas utiliser sur une surface mouillée. Ne pas exposer l'appareil à la pluie. Entreposer à l'intérieur. Ne pas charger à l'extérieur.**

## UTILISATION ET ENTRETIEN DE LA BATTERIE

- **Pour recharger les batteries, utiliser seulement le chargeur spécifié par le fabricant.** Un chargeur pouvant convenir à un type de bloc-piles peut entraîner un risque d'incendie lorsqu'il est utilisé avec un autre type de bloc-piles.
- **Lorsque le bloc-piles n'est pas utilisé, le tenir éloigné des objets en métal tels que les trombones, les pièces de monnaie, les clés, les clous, les vis ou d'autres petits objets métalliques qui pourraient connecter les bornes.** Le court-circuitage des bornes d'une batterie peut entraîner des brûlures ou un incendie.
- **Ne pas utiliser un bloc-pile ou une soufflante endommagé(e).** Si le bloc-pile ou la soufflante ne fonctionne pas correctement, s'ils ont été tombés par terre, s'ils sont endommagés, s'ils ont été laissés à l'extérieur ou s'ils sont tombés dans l'eau, retournez-les au centre de réparation.
- **Ne pas brûler ou incinérer les bloc-piles.** Les bloc-piles peuvent exploser causant des dommages et des blessures. Des fumées et des matières toxiques se dégagent en brûlant des bloc-piles

## ENTRETIEN






- **Les réparations de l'outil électrique doivent être confiées à un technicien qualifié, utilisant exclusivement des pièces identiques à celles d'origine.** Le maintien de la sûreté de l'outil électrique sera ainsi assuré.

## RÈGLES DE SÉCURITÉ SPÉCIFIQUES POUR SOUFFLANTE COMPACTE

- **Avant d'utiliser la soufflante, lire le présent manuel d'utilisation, le manuel d'utilisation du bloc-piles et du chargeur, ainsi que toutes les étiquettes se trouvant sur la soufflante, le bloc-piles, et le chargeur.**
- **Porter des protecteurs d'oreille.** L'exposition au bruit peut entraîner une perte auditive.
- **AVERTISSEMENT** Pour réduire le risque de blessures dans les applications qui produisent une quantité considérable de poussière, utilisez une solution d'extraction de poussière conforme à l'OSHA conformément aux instructions d'utilisation de la solution.
- **Toujours faire preuve de bons sens et procéder avec prudence lors de l'utilisation d'outils.** C'est impossible de prévoir toutes les situations dont le résultat est dangereux. Ne pas utiliser cet outil si vous ne comprenez pas ces instructions d'opération ou si vous pensez que le travail dépasse votre capacité ; veuillez contacter Milwaukee Tool ou un professionnel formé pour recevoir plus d'information ou formation.

# LIRE TOUTES LES INSTRUCTIONS ET LES CONSERVER A DES FINS DE RÉFÉRENCE ULTÉRIEURE

## PICTOGRAPHIE

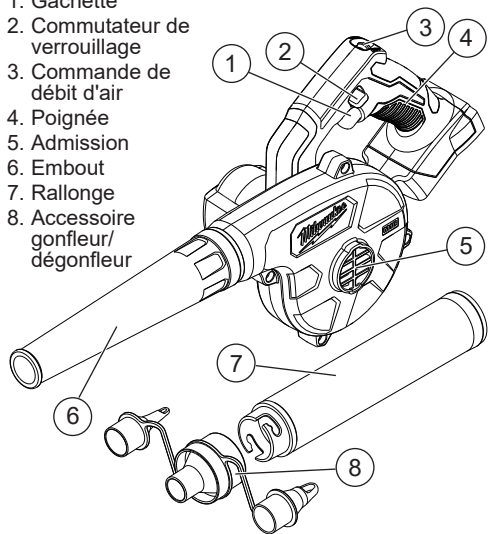
-  Volts
-  Courant direct
-  Lire le manuel d'utilisation
-  Toujours porter une protection oculaire
-  UL Listing Mark pour Canada et États-unis

## SPÉCIFICATIONS

No de Cat.....	0884-20
Volts.....	18 CD
Type de batterie .....	M18™
Type de chargeur .....	M18™
Vitesse du souffle .....	160 MPH
Vitesse du ventilateur .....	18 000 RPM
Température ambiante de fonctionnement recommandée .....	-18°C à 50°C (0°F à 125°F)

## DESCRIPTION FONCTIONNELLE

1. Gâchette
2. Commutateur de verrouillage
3. Commande de débit d'air
4. Poignée
5. Admission
6. Embout
7. Rallonge
8. Accessoire gonfleur/dégonfleur



## MONTAGE DE L'OUTIL

**⚠ AVERTISSEMENT** Ne recharger la batterie qu'avec le chargeur spécifié. Pour les instructions de charge spécifiques, lire le manuel d'utilisation fourni avec le chargeur et les batteries.

### Insertion/Retrait de la batterie

Pour **retirer** la batterie, enfoncer les boutons de déverrouillage et la tirer hors de l'outil.

**⚠ AVERTISSEMENT** Il faut toujours retirer la batterie et verrouiller la détente de l'outil avant de changer ou d'enlever les accessoires.

Pour **insérer** la batterie, la glisser dans le corps de l'outil. S'assurer qu'elle est fixée solidement.

**⚠ AVERTISSEMENT** L'emploi d'accessoires autres que ceux qui sont expressément recommandés pour cet outil peut comporter des risques.

### Installation et retrait des accessoires

*Soufflante :*

Pour **installer** l'embout, la rallonge ou l'adaptateur du gonfleur, aligner la languette de l'accessoire avec les rainures de la soufflante. Pousser l'accessoire contre la soufflante. Tourner l'accessoire dans le sens horaire pour le verrouiller en place.

Pour **retirer** l'accessoire, tourner dans le sens anti-horaire et le tirer de la soufflante.

*Dégonfleur :*

Pour **installer** l'adaptateur sur l'admission, aligner les détentes de l'adaptateur avec les languettes en haut et en bas de l'admission. Faire glisser l'adaptateur sur l'admission.

Pour **retirer** l'adaptateur de l'admission, le tirer de l'outil.

## MANIEMENT

**⚠ AVERTISSEMENT** Pour réduire le risque d'incendie et de blessure, ne pas utiliser pour souffler des matières combustibles ou inflammables.

Pour réduire le risque de blessure, l'opérateur et toute personne à proximité doivent porter des lunettes de sécurité ou des lunettes avec écrans latéraux. L'utilisation d'une soufflante peut causer la projection d'objets en direction du visage et entraîner des lésions oculaires.

### Sélection du débit d'air

La soufflante peut être réglée sur trois vitesses de débit d'air : basse, moyenne et haute. Pousser la commande de débit d'air vers le haut pour augmenter le débit d'air et vers le bas pour le diminuer.

### Démarrage, arrêt et contrôle du débit d'air

1. Pour **démarrer** la soufflante, tirer la gâchette.
2. Pour **changer** le débit d'air, augmenter ou diminuer la pression sur la gâchette. Plus la gâchette est tirée, plus la vitesse est élevée jusqu'à atteindre la vitesse maximale réglée par la commande du débit d'air.
3. Pour **arrêter** la soufflante - relâcher la gâchette.

### Verrouillage

Pour verrouiller la gâchette pour un usage continu :

1. Tirer la gâchette.
2. Appuyer sur le commutateur de verrouillage.
3. Relâcher la gâchette.
4. Pour arrêter la soufflante, tirer la gâchette, puis la relâcher.

## ENTRETIEN

**AVERTISSEMENT** Pour minimiser les risques de blessures corporelles, débranchez le chargeur et retirez la batterie du chargeur ou de l'outil avant d'y effectuer des travaux d'entretien. Ne démontez jamais l'outil, la batterie ou le chargeur. Pour toute réparation, consultez un centre de service MILWAUKEE accrédité.

### Entretien de l'outil

Gardez l'outil en bon état en adoptant un programme d'entretien ponctuel. Inspectez votre outil pour des questions telles que le bruit excessif, de grippage des pièces mobiles, de pièces cassées ou toute autre condition qui peut affecter le fonctionnement de l'outil. Retournez votre outil à un centre de service MILWAUKEE accrédité pour obtenir le service. Après une période pouvant aller de 6 mois à un an, selon l'usage, retournez votre outil à un centre de service MILWAUKEE accrédité pour d'inspection.

Si l'outil ne démarre pas ou ne fonctionne pas à pleine puissance alors qu'il est branché sur une batterie complètement chargée, nettoyez les points de contact entre la batterie et l'outil. Si l'outil ne fonctionne toujours pas correctement, renvoyez l'outil, le chargeur et la batterie à un centre de service MILWAUKEE accrédité.

**AVERTISSEMENT** Pour minimiser les risques de blessures ou de dommages à l'outil, n'immergez jamais l'outil, la batterie ou le chargeur et ne laissez pas de liquide s'y infiltrer.

### Nettoyage

Débarassez les événements des débris et de la poussière. Gardez les poignées propres, à sec et exemptes d'huile ou de graisse. Le nettoyage doit se faire avec un linge humide et un savon doux. Certains nettoyants tels l'essence, la térébenthine, les diluants à laque ou à peinture, les solvants chlorés, l'ammoniaque et les détergents d'usage domestique qui en contiennent pourraient détériorer le plastique et l'isolation des pièces. Ne laissez jamais des solvants inflammables ou combustibles auprès des outils.

### Réparations

Pour les réparations, retournez outil, batterie et chargeur en entier au centre-service le plus près.

## ACCESSOIRES

**AVERTISSEMENT** L'utilisation d'autres accessoires que ceux qui sont spécifiquement recommandés pour cet outil peut comporter des risques.

Pour une liste complète des accessoires, visiter le site internet [www.milwaukeetool.com](http://www.milwaukeetool.com) ou contactez un distributeur.

## SERVICE - CANADA

**Milwaukee Tool (Canada) Ltd**  
**1.800.268.4015**

Monday-Friday, 7:00 AM - 4:30 PM CST  
[www.milwaukeetool.ca](http://www.milwaukeetool.ca)

## GARANTIE LIMITÉE - AUX ÉTATS-UNIS ET AU CANADA

Chaque outil électrique MILWAUKEE (voir exceptions ci-dessous) est garanti à l'acheteur d'origine uniquement pour être exempt de vices de matériaux et de fabrication. Sous réserve de certaines exceptions, MILWAUKEE réparera ou remplacera toute pièce d'un

outil électrique qui, après examen par MILWAUKEE, s'est avérée être affectée d'un vice de matériau ou de fabrication et ce pendant une période de cinq (5) ans\*\* à compter de la date d'achat, sauf indication contraire. Retourner l'outil électrique à un centre de réparation en usine MILWAUKEE ou à un poste d'entretien agréé MILWAUKEE, en port prépayé et assuré. Une copie de la preuve d'achat doit être présentée lors du retour du produit. Cette garantie ne couvre pas les dommages que MILWAUKEE détermine être causés par des réparations ou des tentatives de réparation par quiconque autre que le personnel agréé par MILWAUKEE, ou par des utilisations incorrectes, des altérations, des utilisations abusives, une usure normale, une carence d'entretien ou des accidents.

Usure normale : Plusieurs outils électriques requièrent un remplacement et un entretien périodique de leurs pièces pour un meilleur rendement. Cette garantie ne couvre pas la réparation des pièces dues à l'utilisation normale de l'outil, y compris, mais sans s'y limiter, les mandrins, les broches, les cordes, les sabots de scie, les portelames, les joints toriques, les joints, les amortisseurs, les lames d'entraînement, les pistons, les perceurs, les crochets et les rondelles à couvercle amortisseur.

\* Cette garantie ne s'applique pas aux cloueurs-agrafeuses pneumatiques, aux pulvérisateurs à peinture sans air, aux blocs-piles pour outils sans fil, aux génératrices d'alimentation portatives à essence, aux outils à main, aux monte-charges - électriques, à levier et à chaîne, aux vestes chauffantes M12™, aux produits ré-usinés, ni aux produits d'essai et de mesure. Il existe des garanties séparées distinctes pour ces produits.

\*\* La période de garantie applicable pour les radios de chantier, le port d'alimentation M12™, la source électrique M18™, le ventilateur de chantier et les chariots de travail industriels Trade Titan™ est d'une durée d'un (1) an à compter de la date d'achat. La période de garantie pour les Câbles de nettoyage des canalisations est de deux (2) ans à compter de la date d'achat. La période de garantie pour le Pistolet thermique compact M18™ et Dépoussiéreur de 8 gallons est de trois (3) ans à compter de la date d'achat. La période de garantie couvrant la DEL de la lampe de travail à DEL et l'ampoule améliorée à DEL de la lampe de travail est une garantie à vie du produit soumise aux limitations ci-dessus. En cas de défaillance de la DEL ou de l'ampoule à DEL pendant son utilisation normale, la pièce défaillante sera remplacée gratuitement.

L'enregistrement de la garantie n'est pas nécessaire pour bénéficier de la garantie en vigueur sur un outil électrique MILWAUKEE. La date de fabrication du produit servira à établir la période de garantie, si aucune preuve d'achat n'est fournie lorsqu'une demande de service sous garantie est déposée.

L'ACCEPTATION DES RECOURS EXCLUSIFS DE RÉPARATION ET DE REMPLACEMENT DÉCRITS DANS LES PRÉSENTES EST UNE CONDITION DU CONTRAT D'ACHAT DE TOUT PRODUIT MILWAUKEE. SI VOUS N'ACCEPTEZ PAS CETTE CONDITION, VOUS NE DEVEZ PAS ACHETER LE PRODUIT. EN AUCUN CAS, MILWAUKEE NE SAURAIT ÊTRE RESPONSABLE DE TOUT DOMMAGE ACCESSOIRE, SPÉCIAL OU INDIRECT, DE DOMMAGES-INTÉRÊTS UNITIFS OU DE TOUTE DÉPENSE, D'HONORAIRES D'AVOCAT, DE FRAIS, DE PERTE OU DE DÉLAIS ACCESSOIRES À TOUT DOMMAGE, DÉFAILLANCE OU DÉFAUT DE TOUT PRODUIT, Y COMPRIS NOTAMMENT LES PERTES DE PROFIT. CERTAINS ÉTATS ET PROVINCES NE PERMETTANT L'EXCLUSION OU LA LIMITATION DES DOMMAGES DIRECTS OU INDIRECTS, LES RESTRICTIONS CI-DESSUS PEUVENT NE PAS VOUS ÊTRE APPLICABLES. CETTE GARANTIE EST EXCLUSIVE ET REMPLACE TOUTE AUTRE GARANTIE EXPRESSE, QU'ELLE SOIT VERBALE OU ÉCRITE. DANS LA MESURE PERMISE PAR LA LOI, MILWAUKEE RENONCE À TOUTE GARANTIE IMPLICITE, Y COMPRIS, MAIS SANS S'Y LIMITER, TOUTE GARANTIE IMPLICITE DE QUALITÉ MARCHANDE OU D'ADAPTATION À UNE UTILISATION OU À UNE FIN PARTICULIÈRE. DANS LA MESURE OU UNE TELLE STIPULATION D'EXONÉRATION N'EST PAS PERMISE PAR LA LOI, LA DURÉE DE CES GARANTIES IMPLICITES EST LIMITÉE À LA PÉRIODE APPLICABLE DE LA GARANTIE EXPRESSE, TEL QUE CELA EST DÉCRIT PRÉCÉDEMMENT. CERTAINS ÉTATS ET PROVINCES NE PERMETTANT PAS DE LIMITATION DE DURÉE DES GARANTIES IMPLICITES, LES RESTRICTIONS CI-DESSUS PEUVENT DONC NE PAS VOUS ÊTRE APPLICABLES. LA PRÉSENTE VOUS CONFÈRE DES DROITS LÉGAUX PARTICULIERS; VOUS BÉNÉFICIEZ ÉGALEMENT D'AUTRES DROITS QUI VARIENT D'UN ÉTAT À UN AUTRE.

Cette garantie s'applique aux produits vendus aux États-Unis et au Canada uniquement.

Veillez consulter la rubrique Centre SAV Milwaukee, dans la section Pièces et Services du site Web de MILWAUKEE, à l'adresse [www.milwaukeetool.com](http://www.milwaukeetool.com), ou composer le 1-800-SAWDUST (1-800-729-3878) afin de trouver le centre de service de votre région le plus proche pour l'entretien, sous garantie ou non, de votre outil électrique Milwaukee.

## GARANTIE LIMITÉE - MEXIQUE, AMÉRIQUE CENTRALE ET CARAÏBES

TECHTRONIC INDUSTRIES' garantit le produit pendant 5 ans à partir de la date d'achat d'origine.

Le présent bon de garantie couvre tous les vices de matériau et de fabrication que peut afficher ce produit.



Pour assurer la validité de la présente garantie, veuillez présenter ce bon de garantie, estampillé du sceau du distributeur ou du magasin où le produit a été acheté, au centre de réparations agréé. Si le bon de garantie n'a pas été estampillé, veuillez fournir la preuve d'achat d'origine au centre de réparations agréé.

Pour un entretien des pièces, des accessoires ou des composants, composer 55 4160-3547 afin d'obtenir les coordonnées du centre de réparations agréé le plus près.

#### **Procédure pour assurer la validité de la garantie**

Présenter le produit au centre de réparations agréé, accompagné du bon de garantie estampillé du sceau du distributeur ou du magasin où le produit a été acheté. Toute pièce défectueuse ou tout composant défectueux sera remplacé(e) sans frais. Milwaukee assume tous les frais de transport liés à ce processus de garantie.

#### **Exceptions**

Cette garantie ne s'applique pas dans les situations suivantes :

- Si le produit a été utilisé pour une fin autre que celle indiquée dans le guide de l'utilisateur final ou le manuel d'instructions.
- Si les conditions d'utilisations ne sont pas habituelles.
- Si le produit a été modifié ou réparé par une personne non autorisée par TECHTRONIC INDUSTRIES.

**Remarque :** Si le cordon électrique est endommagé, il doit être remplacé par un centre de réparations agréé pour éviter les risques d'électrocution.

CENTRE DE RÉPARATIONS ET DE SERVICE

Composer le 55 4160-3547

IMPORTÉ ET COMMERCIALISÉ PAR

TECHTRONIC INDUSTRIES, MEXIQUE, S.A. DE C.V.

Miguel de Cervantes Saavedra No.301 Piso 5, Torre Norte

11520 Colonia Ampliación Granada

Miguel Hidalgo, Ciudad de Mexico, Mexico

Modèle : \_\_\_\_\_

Date d'achat : \_\_\_\_\_

Sceau du distributeur ou du magasin : \_\_\_\_\_

## **REGLAS DE SEGURIDAD GENERALES**

### **⚠️ ADVERTENCIA**

**AL UTILIZAR UN SOPLADOR ELÉCTRICO, SIEMPRE SE DEBEN SEGUIR LAS PRECAUCIONES BÁSICAS, INCLUYENDO LAS SIGUIENTES: LEA TODAS LAS INSTRUCCIONES ANTES DE USAR EL SOPLADOR. PARA USO DOMÉSTICO O COMERCIAL. ANTES DE UTILIZAR EL SOPLADOR, LEA ESTE MANUAL DEL OPERADOR, EL MANUAL DE SU BATERÍA Y CARGADOR Y TODAS LAS ETIQUETAS DEL SOPLADOR, LA BATERÍA Y EL CARGADOR. PARA REDUCIR EL RIESGO DE INCENDIO, DESCARGA ELÉCTRICA O LESIÓN:**

### **SEGURIDAD EN EL ÁREA DE TRABAJO**

• **Mantenga el área de trabajo limpia y bien iluminada.** Las áreas desordenadas u oscuras son propicias para los accidentes.

• **Los sopladores tienen motores y otras partes que pueden producir chispas durante el uso normal.** No se utilice a una distancia menor de 9 metros (30 pies) de las áreas donde pueda haber materiales explosivos (como bombas de gasolina y lugares donde se guardan líquidos como disolventes de pintura, limpiadores, solventes, etc.).

• **No se utilice en presencia de polvo, líquidos o vapores explosivos.**

• **No se utilice donde se use oxígeno o anestésicos.**

• **No permita que se use como un juguete.** Se necesita poner mucha atención cuando se usa cerca de niños.

• **Sea particularmente cuidadoso al usarlo en escaleras.**

### **SEGURIDAD ELÉCTRICA**

• **No maneje el cargador, la batería ni el soplador con las manos húmedas.**

### **SEGURIDAD PERSONAL**

• **MANTÉNGASE ALERTA.** Preste atención a lo que está haciendo y use el sentido común. No use el soplador mientras está cansado, distraído o bajo la influencia de drogas, alcohol o medicamentos que ocasionen disminución del control.

• **La operación de un soplador puede ocasionar que objetos extraños sean lanzados hacia los ojos,** lo que puede causar daño ocular. El usuario y los espectadores deben usar lentes o gafas de seguridad con protectores laterales cuando se esté usando un soplador.

• **Use una mascarilla facial o contra el polvo** cuando trabaje en situaciones donde haya polvo. Las partículas de polvo pueden dañar sus pulmones.

• **Evite el arranque accidental. Asegúrese de que el interruptor esté en posición de apagado antes de insertar la batería.** Insertar la batería en un soplador con el interruptor en posición de encendido es invitar a que ocurra un accidente.

• **No estire el cuerpo demasiado. Mantenga un buen contacto entre los pies y el suelo y mantenga el equilibrio en todo momento.** Esto permite un mejor control del soplador en situaciones inesperadas.

• **Mantenga el cabello, ropa holgada, dedos y todas las partes del cuerpo lejos de las aberturas y partes móviles.**

### **USO Y CUIDADO**

• **Utilice únicamente como se describe en este manual.** Utilice únicamente los accesorios recomendados por el fabricante.

• **No se utilice para aplicar aire soplado a líquidos inflamables o combustibles** como gasolina, ni se utilice en áreas donde puedan estar presentes.

• **No aplique aire soplado sobre ningún objeto que se esté quemando o despidiendo humo,** como cigarrillos, cerillos o cenizas calientes.

• **Para reducir el riesgo de peligros para la salud por los vapores o el polvo,** no aplique aire soplado a materiales tóxicos, carcinogénicos o peligrosos como asbesto, arsénico, bario, berilio, plomo, pesticidas u otros materiales que pongan en peligro la salud.

• **⚠️ ADVERTENCIA** Algunos polvos generados por el lijado eléctrico, aserrado, pulido, taladrado y otras actividades de construcción contienen químicos identificados como causantes de cáncer, defectos congénitos u otros daños reproductivos. Algunos ejemplos de estos químicos son:  
• plomo de pintura basada en plomo  
• dióxido de silicio de los ladrillos y el cemento y otros productos de albañilería y

•arsénico y cromo de madera con tratamiento químico. Su riesgo por estas exposiciones varía, dependiendo de la frecuencia con que realice este tipo de trabajo. Para reducir su exposición a estos químicos: trabaje en un área bien ventilada y trabaje con equipo de seguridad aprobado, como mascarillas protectoras contra polvo especialmente diseñadas para filtrar partículas microscópicas.

•**No deje el soplador sin supervisión cuando tenga instalada la batería.** Retire la batería cuando no lo use y antes de realizarle un servicio.

•**No coloque ningún objeto en las aberturas.** No use con ninguna de las aberturas bloqueadas; manténgalas libres de polvo, pelusa, cabello o cualquier otro objeto que pudiera reducir el flujo de aire.

•**Dé mantenimiento al soplador. Verifique que no haya desalineación, amarre de partes móviles, partes rotas o alguna otra condición que pueda afectar el funcionamiento del soplador.** Si se daña, asegúrese de que el soplador sea reparado antes de utilizarse. Muchos accidentes son ocasionados por herramientas con mantenimiento deficiente.

•**Conserve las etiquetas y las placas nominales.** Contienen información importante. Si son ilegibles o no están presentes, comuníquese con un centro de servicio MILWAUKEE para obtener un reemplazo gratuito.

•**Utilice el soplador únicamente con baterías específicamente diseñadas.** El uso de cualquier otra batería puede producir un riesgo de lesiones e incendio.

•**Apague todos los controles antes de retirar la batería.**

•**Para reducir el riesgo de descarga eléctrica, no lo utilice en superficies húmedas. No se exponga a la lluvia. Almacéñese en interiores. No se use en exteriores.**

## USO Y CUIDADO DE LAS HERRAMIENTAS CON BATERÍA

•**Recargue únicamente con el cargador especificado por el fabricante.** Un cargador que es adecuado para un tipo de batería puede crear un riesgo de incendio si se utiliza con otra batería.

•**Cuando la batería no está en uso, manténgala alejada de otros objetos metálicos como sujetapapeles, monedas, llaves, clavos, tornillos u otros objetos metálicos pequeños que puedan formar una conexión de una terminal a otra.** Crear un corto entre las terminales puede ocasionar quemaduras o un incendio.

•**No utilice una batería o soplador con daños.** Si la batería o el soplador no está funcionando como debería, se ha dejado caer, está dañado, se dejó a la intemperie o cayó en agua, regréselo a un centro de servicio.

•**No quemé ni incinere las baterías.** Las baterías pueden explotar, causando lesiones personales o daños. Al quemar las baterías se generan vapores y materiales tóxicos.

## MANTENIMIENTO

•**Lleve su herramienta eléctrica a servicio con un técnico calificado que use únicamente piezas de reemplazo idénticas.** Esto asegurará que la seguridad de la herramienta eléctrica se mantenga.

## REGLAS ESPECÍFICAS DE SEGURIDAD PARA SOPLADOR COMPACTO

•**Antes de utilizar el soplador, lea este manual del operador, el manual de su batería y cargador y todas las etiquetas del soplador, la batería y el cargador.**

•**Utilice protectores auditivos.** La exposición al ruido puede causar pérdida auditiva.

• **ADVERTENCIA** Para reducir el riesgo de lesiones en aplicaciones que producen una cantidad considerable de polvo, use una solución de extracción de polvo que cumpla con OSHA de acuerdo con las instrucciones de operación de la solución.

•**Válgase siempre de su sentido común y sea cuidadoso cuando utilice herramientas.** No es posible anticipar todas las situaciones que podrían tener un desenlace peligroso. No utilice esta herramienta si no entiende estas instrucciones de uso o si considera que el trabajo a realizar supera sus capacidades, comuníquese con Milwaukee Tool o con un profesional capacitado para recibir capacitación o información adicional.

# LEA Y CONSERVE TODAS LAS INSTRUCCIONES PARA CONSULTARLAS EN EL FUTURO

## SIMBOLOGÍA



Volts



Corriente continua



Lea el manual del operador



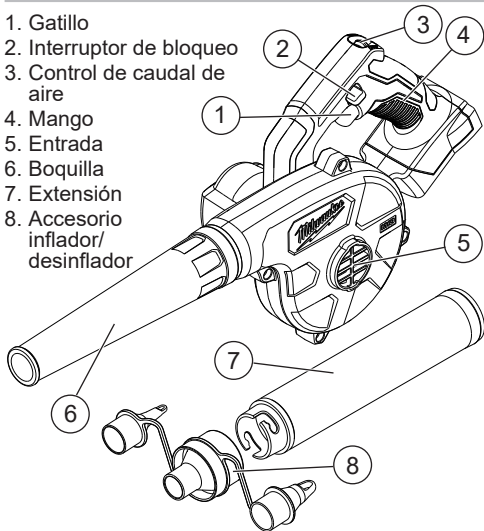
Siempre use protección para los ojos



UL Listing Mark para Canadá y Estados Unidos

## DESCRIPCIÓN FUNCIONAL

1. Gatillo
2. Interruptor de bloqueo
3. Control de caudal de aire
4. Mango
5. Entrada
6. Boquilla
7. Extensión
8. Accesorio inflador/desinflador



## ESPECIFICACIONES

Cat. No. ....	0884-20
Volts.....	18 CD
Tipo de batería .....	M18™
Tipo de cargador .....	M18™
Velocidad del aire .....	160 MPH
Velocidad del ventilador.....	18 000 RPM
Temperatura ambiente recomendada para operar .....	-18°C a 50°C (0°F a 125°F)

## ENSAMBLAJE

**⚠ ADVERTENCIA** Recargue la batería sólo con el cargador especificado para ella. Para instrucciones específicas sobre cómo cargar, lea el manual del operador suministrado con su cargador y la batería.

### Como se inserta/quita la batería en la herramienta

Para retirar la batería, presione los botones de liberación y jale de la batería para sacarla de la herramienta.

**⚠ ADVERTENCIA** Para reducir el riesgo de lesiones, extraiga siempre la batería antes de acoplar o desacoplar accesorios.

Para introducir la batería, deslícela en el cuerpo de la herramienta. Asegúrese de que quede bien firme en su posición.

**⚠ ADVERTENCIA** Utilice únicamente accesorios específicamente recomendados para esta herramienta. El uso de accesorios no recomendados podría resultar peligroso.

### Instalación/remoción de los accesorios

#### Soplador:

Para **instalar** la boquilla, la extensión o el adaptador inflador, alinee las orejetas del accesorio con las ranuras del soplador. Empuje el accesorio hacia el soplador. Gire el accesorio hacia la derecha para bloquearlo en su lugar.

Para **quitar** el accesorio, gire hacia la izquierda y retire del soplador.

#### Desinflador:

Para **instalar** el adaptador en la entrada, alinee los topes del adaptador con las pestañas de la parte superior e inferior de la entrada. Deslice el adaptador sobre la entrada.

Para **retirar** el adaptador de la entrada, jale el adaptador, retirándolo de la herramienta.

## OPERACION

**⚠ ADVERTENCIA** Para reducir el riesgo de incendio y lesión, no se utilice en materiales inflamables ni combustibles.

Para reducir el riesgo de lesiones, el usuario y los espectadores deben usar lentes o gafas de seguridad con protectores laterales. El uso de un soplador puede ocasionar que objetos extraños sean lanzados hacia los ojos, lo que puede causar daño ocular.

### Selección del caudal de aire

El soplador puede configurarse en tres velocidades de caudal de aire: baja, media y alta. Presione el control del caudal de aire hacia arriba para aumentar el caudal de aire; presiónelo hacia abajo para disminuir el caudal de aire.

## Arranque, paro y control del caudal de aire

1. Para **arrancar** el soplador, oprima el gatillo.
2. Para **variar** el caudal de aire, aumente o disminuya la presión sobre el gatillo. Mientras más se oprima el gatillo, mayor será la velocidad del caudal de aire, hasta llegar al máximo establecido por el control del caudal de aire.
3. Para **detener** el soplador, suelte el gatillo.

### Bloqueo

Para bloquear el gatillo para uso continuo:

1. Oprima el gatillo
2. Presione hacia abajo el interruptor de bloqueo.
3. Suelte el gatillo.
4. Para detener el soplador, oprima y suelte el gatillo.

## MANTENIMIENTO

**⚠ ADVERTENCIA** Para reducir el riesgo de una lesión, desconecte siempre la herramienta antes de darle cualquier mantenimiento. Nunca desarme la herramienta ni trate de hacer modificaciones en el sistema eléctrico de la misma. Acuda siempre a un Centro de Servicio MILWAUKEE para TODAS las reparaciones.

### Mantenimiento de las herramientas

Adopte un programa regular de mantenimiento y mantenga su herramienta en buenas condiciones. Inspeccione la herramienta para problemas como ruidos indebidos, desalineadas o agarradas de partes móviles, piezas rotas o cualquier otra condición que pueda afectar el funcionamiento de la herramienta. Envíe su herramienta al Centro de Servicio MILWAUKEE para reparación. Después de 6 meses a un año, dependiendo del uso dado, envíe su herramienta al Centro de Servicio MILWAUKEE más cercano para la inspección.

Si la herramienta no arranca u opera a toda su potencia con una batería completamente cargada, limpie, con una goma o borrador, los contactos de la batería y de la herramienta. Si aun así la herramienta no trabaja correctamente, regrésela, con el cargador y la batería, a un centro de servicio MILWAUKEE.

**⚠ ADVERTENCIA** Para reducir el riesgo de lesiones, descarga eléctrica o daño a la herramienta, nunca la sumerja en líquidos ni permita que estos fluyan dentro de la misma.

### Limpeza

Limpie el polvo y suciedad de las ventilas. Mantenga los mangos limpios, secos y libres de aceite o grasa. Use solo jabón neutro y un trapo húmedo para limpiar, ya que algunos substancias y solventes limpiadores son dañinos a los plásticos y partes aislantes. Algunos de estos incluyen: gasolina, turpentina, thinner, lacas, thinner para pinturas, solventes para limpieza con cloro, amoníaco y detergentes caseros que tengan amonía. Nunca usa solventes inflamables o combustibles cerca de una herramienta.

### Reparaciones

Si su herramienta, batería o cargador están dañados, envíela al centro de servicio más cercano.

## ACCESORIOS

**⚠ ADVERTENCIA** Utilice sólo los accesorios específicamente recomendados. Otros accesorios puede ser peligroso.

Para una lista completa de accesorios, visite nuestro sitio en Internet: [www.milwaukeeool.com](http://www.milwaukeeool.com) o póngase en contacto con un distribuidor.

## SOPORTE DE SERVICIO - MEXICO

### CENTRO DE ATENCION A CLIENTES

Techtronic Industries Mexico, S.A. de C.V.

Av. Presidente Masarik 29 Piso 7

11560 Polanco V Seccion

Miguel Hidalgo, Distrito Federal, México

01 (800) 030-7777 o (55) 4160-3540

Lunes a Viernes (9am a 6pm)

O contáctanos en [www.milwaukeeetool.com.mx](http://www.milwaukeeetool.com.mx)

## GARANTÍA LIMITADA - E.U.A. Y CANADÁ

Cada herramienta eléctrica\* de MILWAUKEE (ver excepciones a continuación) está garantizada para el comprador original únicamente de que no tenga material y mano de obra defectuosos. Sujeto a ciertas excepciones, MILWAUKEE reparará o reemplazará cualquier parte en una herramienta eléctrica que tenga defectos de material o mano de obra según lo determine MILWAUKEE mediante una revisión, por un periodo de cinco (5) años\*\* después de la fecha de compra a menos que se indique lo contrario. Al devolver la herramienta eléctrica a un Centro de Servicio de la fábrica de MILWAUKEE o a una Estación de Servicio Autorizada de MILWAUKEE, se requiere que el flete esté pagado por adelantado y asegurado. Se debe incluir una copia del comprobante de compra con el producto devuelto. Esta garantía no aplica a daños que MILWAUKEE determine que son ocasionados por reparaciones o intentos de reparaciones realizados por una persona que no sea personal autorizado de MILWAUKEE, uso indebido, alteraciones, maltrato, desgaste normal, falta de mantenimiento o accidentes.

**Desgaste normal:** Muchas herramientas eléctricas necesitan un reemplazo periódico de partes y servicio para lograr el mejor desempeño. Esta garantía no cubre la reparación cuando el uso normal ha agotado la vida de una parte, incluyendo sin limitar a mandriles, cepillos, cables, zapatas de la sierra, abrazaderas de la hoja, anillos en O, sellos, protectores, hojas de desatornilladores, pistones, herrajes, levantadores y arandelas de cubierta de los protectores.

\*Esta garantía no cubre clavadoras y grapadoras neumáticas, pistola de pintura a presión, baterías inalámbricas, generadores de energía portátil de gasolina, herramientas de mano, palanca y cadena de mano de polipasto - eléctricas, indumentaria calefata M12™, producto reacondicionado y productos de prueba y medición. Existen garantías por separado y distintas disponibles para estos productos.

\*\*El periodo de garantía para los radios para obra, puerto de energía M12™, fuente de poder M18™, ventiladores para obra y carretillas de trabajo industrial Trade Titan™ es de un (1) año a partir de la fecha de compra. El periodo de garantía para los Cables de limpieza de drenaje es de dos (2) años a partir de la fecha de compra. El periodo de garantía de la Pistola de calor compacta M18™ de la Extractor de polvo de 8 galones es de tres (3) años a partir de la fecha de compra. El periodo de garantía de las lámparas de LED en la Lámpara de trabajo LED y el Bulbo mejorado de LED para la Luz de trabajo es por la vida del producto sujeto a las limitaciones anteriores. Si durante el uso normal el LED o Bulbo de LED falla, la parte será reemplazada sin cargo.

No se requiere el registro de la garantía para obtener la garantía correspondiente a un producto de herramienta eléctrica de MILWAUKEE. La fecha de manufactura del producto se utilizará para determinar el periodo de garantía si no se proporciona comprobante de compra al solicitar el servicio en garantía.

LA ACEPTACIÓN DE LOS REMEDIOS EXCLUSIVOS DE REPARACIÓN Y REEMPLAZO AQUÍ DESCRITOS ES UNA CONDICIÓN DEL CONTRATO PARA LA COMPRA DE TODO PRODUCTO DE MILWAUKEE. SI USTED NO ACEPTA ESTA CONDICIÓN, NO DEBE COMPRAR EL PRODUCTO. MILWAUKEE NO SERÁ RESPONSABLE EN NINGÚN CASO DE DAÑOS INCIDENTALES, ESPECIALES, EMERGENTES O PUNITIVOS NI DE NINGÚN COSTO, HONORARIOS LEGALES, GASTOS, PÉRDIDAS O DEMORAS ALEGADOS COMO CONSECUENCIA DE ALGÚN DAÑO, FALLA O DEFECTO EN NINGÚN PRODUCTO, INCLUYENDO, ENTRE OTROS, RECLAMACIONES POR PÉRDIDA DE UTILIDADES. ALGUNOS ESTADOS NO PERMITEN LA EXCLUSIÓN O LIMITACIÓN DE RE-

SPONSABILIDAD POR DAÑOS INCIDENTALES O EMERGENTES, POR LO QUE LA ANTERIOR LIMITACIÓN O EXCLUSIÓN PODRÍA NO APLICARSE EN SU CASO. ESTA GARANTÍA ES EXCLUSIVA Y REEMPLAZA TODAS LAS DEMÁS GARANTÍAS EXPRESAS, ESCRITAS U ORALES, EN LA MEDIDA EN QUE LO PERMITA LA LEY, MILWAUKEE DESCONOCE CUALQUIER GARANTÍA IMPLÍCITA, INCLUYENDO SIN LIMITACIÓN CUALQUIER GARANTÍA IMPLÍCITA DE COMERCIABILIDAD O IDONEIDAD PARA UN FIN O USO ESPECÍFICO; EN LA MEDIDA EN QUE DICHO DESCONOCIMIENTO NO SEA PERMITIDO POR LA LEY, DICHAS GARANTÍAS IMPLÍCITAS SE LIMITAN A LA DURACIÓN DE LA GARANTÍA EXPRESA CORRESPONDIENTE SEGÚN SE DESCRIBIÓ ANTERIORMENTE. ALGUNOS ESTADOS NO PERMITEN LIMITACIONES SOBRE LA DURACIÓN DE UNA GARANTÍA IMPLÍCITA, POR LO QUE LA ANTERIOR LIMITACIÓN PODRÍA NO APLICARSE A USTED. ESTA GARANTÍA LE DA DERECHOS LEGALES ESPECÍFICOS Y USTED PODRÍA ADEMÁS TENER OTROS DERECHOS QUE VARIAN DE UN ESTADO A OTRO.

Esta garantía aplica al producto vendido en los Estados Unidos y Canadá únicamente.

Consulte la "Búsqueda de centro de servicio" en la sección de Partes y servicio del sitio web de MILWAUKEE en [www.milwaukeeetool.com](http://www.milwaukeeetool.com) o llame al 1.800.SAWDUST (1.800.729.3878) para localizar su centro de servicio más cercano para darle servicio con y sin garantía a una herramienta eléctrica de Milwaukee.

## PÓLIZA DE GARANTÍA - VALIDA SOLO PARA MÉXICO, AMÉRICA CENTRAL Y EL CARIBE

La garantía de TECHTRONIC INDUSTRIES es por 5 años a partir de la fecha original de compra.

Esta tarjeta de garantía cubre cualquier defecto de material y mano de obra en ese Producto.

Para hacer válida esta garantía, presente esta tarjeta de garantía, cerrada/sellada por el distribuidor o la tienda donde compró el producto, al Centro de Servicio Autorizado (ASC). O, si esta tarjeta no se ha cerrado/sellado, presente la prueba original de compra a ASC. Llame 55 4160-3547 para encontrar el ASC más cercano, para servicio, partes, accesorios o componentes.

### Procedimiento para hacer válida esta garantía

Lleve el producto a ASC, junto con la tarjeta de garantía cerrada/sellada por el distribuidor o la tienda donde compró el producto, y cualquier pieza o componente defectuoso se reemplazará sin costo para usted. Cubriremos todos los costos de flete con relación a este proceso de garantía

### Excepciones

Esta garantía no tendrá validez en las siguientes situaciones:

- Cuando el producto se use de manera distinta a la que indica el manual del usuario final o de instrucciones.
- Cuando las condiciones de uso no sean normales.
- Cuando otras personas no autorizadas por TECHTRONIC INDUSTRIES modifiquen o reparen el producto.

**Nota:** si el juego de cables está dañado, tiene que reemplazarse en un Centro de Servicio Autorizado para evitar riesgos eléctricos.

### CENTRO DE SERVICIO Y ATENCIÓN

Llame al 55 4160-3547

IMPORTADO Y COMERCIALIZADO POR  
TECHTRONIC INDUSTRIES, MÉXICO, S.A. DE C.V.

Miguel de Cervantes Saavedra No.301 Piso 5, Torre Norte

11520 Colonia Ampliación Granada

Miguel Hidalgo, Ciudad de Mexico, Mexico

Modelo: \_\_\_\_\_

Fecha de Compra: \_\_\_\_\_

Sello del Distribuidor: \_\_\_\_\_

**MILWAUKEE TOOL**  
13135 West Lisbon Road  
Brookfield, WI 53005 USA

58140884d2  
03/19

01604203501Q-01(A)  
Printed in Thailand