

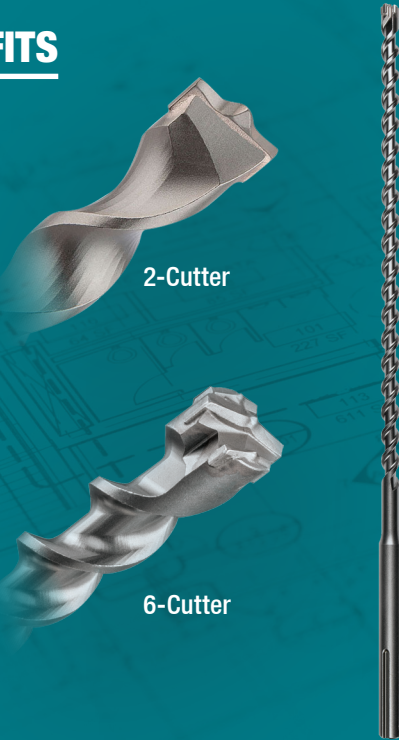
# SDS-MAX BITS 2-CUTTER & 6-CUTTER

## FEATURES & BENEFITS

Centering tip features a more aggressive design for faster hole starting

Central guiding action engineered for more accurate holes

Aggressive head geometry in primary cutter engineered for use in concrete



2-Cutter

6-Cutter



## NEW ACCESSORY OVERVIEW

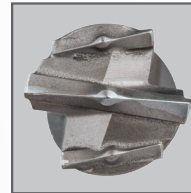
### FEATURES

- Self-centering carbide tip
- Centering tip features a more aggressive design for faster hole starting
- Central guiding action engineered for more accurate holes
- Aggressive head geometry in primary cutter engineered for use in concrete
- Engineered for reduced vibration
- Drills faster and lasts longer

### PRODUCT HIGHLIGHTS

#### DESIGN

6 Cutting Edges for Maximum Performance and Rounder Holes



#### PRECISION

6-cutter bit tip is engineered for drilling in reinforced concrete



PART NO.	ITEM	DIAMETER x LENGTH	UPC (088381)
B-61307	SDS-MAX Bit, 2-Cutter	1/2" x 13"	527262
B-61313	SDS-MAX Bit, 2-Cutter	1/2" x 21"	527279
B-61329	SDS-MAX Bit, 2-Cutter	9/16" x 13"	527286
B-61335	SDS-MAX Bit, 2-Cutter	9/16" x 21"	527293
B-61341	SDS-MAX Bit, 6-Cutter	5/8" x 13"	527309
B-61357	SDS-MAX Bit, 6-Cutter	5/8" x 21"	527316
B-61363	SDS-MAX Bit, 6-Cutter	5/8" x 36"	527323
B-61379	SDS-MAX Bit, 6-Cutter	11/16" x 21"	527330
B-61385	SDS-MAX Bit, 6-Cutter	3/4" x 13"	527347
B-61391	SDS-MAX Bit, 6-Cutter	3/4" x 21"	527354
B-61400	SDS-MAX Bit, 6-Cutter	3/4" x 36"	527361
B-61416	SDS-MAX Bit, 6-Cutter	13/16" x 21"	527378
B-61422	SDS-MAX Bit, 6-Cutter	7/8" x 13"	527385
B-61438	SDS-MAX Bit, 6-Cutter	7/8" x 21"	527392

PART NO.	ITEM	DIAMETER x LENGTH	UPC (088381)
B-61444	SDS-MAX Bit, 6-Cutter	7/8" x 36"	527408
B-61450	SDS-MAX Bit, 6-Cutter	1" x 13"	527415
B-61466	SDS-MAX Bit, 6-Cutter	1" x 21"	527422
B-61472	SDS-MAX Bit, 6-Cutter	1" x 36"	527439
B-61488	SDS-MAX Bit, 6-Cutter	1-1/8" x 13"	527446
B-61494	SDS-MAX Bit, 6-Cutter	1-1/8" x 21"	527453
B-61503	SDS-MAX Bit, 6-Cutter	1-1/8" x 36"	527460
B-61519	SDS-MAX Bit, 6-Cutter	1-1/4" x 13"	527477
B-61525	SDS-MAX Bit, 6-Cutter	1-1/4" x 21"	527484
B-61531	SDS-MAX Bit, 6-Cutter	1-1/4" x 36"	527491
B-61547	SDS-MAX Bit, 6-Cutter	1-3/8" x 21"	527507
B-61553	SDS-MAX Bit, 6-Cutter	1-3/8" x 36"	527514
B-61569	SDS-MAX Bit, 6-Cutter	1-1/2" x 21"	527521
B-61575	SDS-MAX Bit, 6-Cutter	1-1/2" x 36"	527538