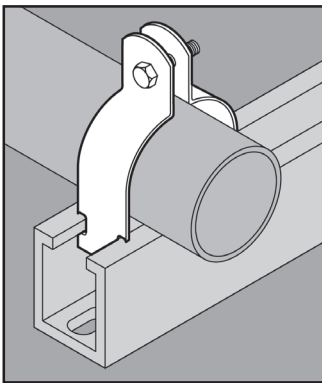
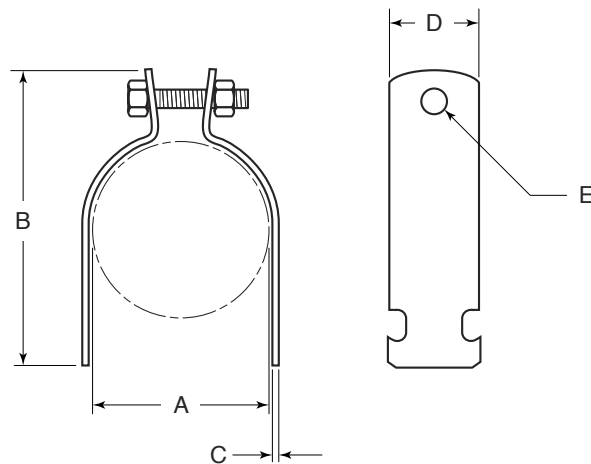


STAINLESS STEEL 2 PIECE CONDUIT CLAMPS



APPLICATION

- Also known as strut straps
- Used with strut to support conduit or pipe
- Designed for use with standard sized channel
- Can be installed for either vertical or horizontal runs
- Supplied complete with Type 316 SS hex head cap screw and Type 316 SS hex nut
 - Sizes ½" – 2" supplied complete with ¼" x 1" hex head cap screw and nut
 - Sizes 2-½" – 4" supplied complete with 5/16" x 1" hex head cap screw and nut
 - Sizes 5" – 8" supplied complete with 5/16" x 1-1/4" hex head cap screw and nut
- Manufactured in stainless steel to help prevent corrosion
- Can be installed using ordinary hand tools and require little maintenance or repair
- Provided in a bright, polished finish that does not require touch up or painting



PRODUCT DETAILS

Material:
316 SS

Standards:
ASTM A240, ASTM F593

Country of Origin: Product may contain imported component.
Body 100% Made in USA; bolt and hex nut may or may not be of U.S. origin.

Part Number	Size	Weight/ 100 (lbs.)	Dimension (in.)				
			A	B	C	D	E
5050	½ in.	12	0.84	2.32	0.08	1.25	0.33
5075	¾ in.	15	1.05	2.55	0.08	1.25	0.33
5100	1 in.	17	1.32	2.85	0.08	1.25	0.33
5125	1-¼ in.	18	1.66	3.15	0.08	1.25	0.33
5150	1-½ in.	21	1.90	2.42	0.08	1.25	0.33
5200	2 in.	23	2.38	3.90	0.08	1.25	0.33
5250	2-½ in.	31	2.88	4.48	0.08	1.25	0.33
5300	3 in.	33	3.50	5.15	0.08	1.25	0.33
5350	3-½ in.	38	4.00	5.50	0.08	1.25	0.33
5400	4 in.	41	4.50	6.05	0.08	1.25	0.33
5500	5 in.	50	5.56	6.62	0.08	1.25	0.33
5600	6 in.	58	6.63	7.95	0.08	1.25	0.33
5800	8 in.	70	8.63	10.00	0.08	1.25	0.33



© 2018 GIBSON STAINLESS & SPECIALTY, INC. - REV 3/2018

PO BOX 847, GREENSBURG, PA 15601
PHONE: 1-800-945-4316 • FAX: 724-838-1544

WEB: GIBSONSTAINLESS.COM