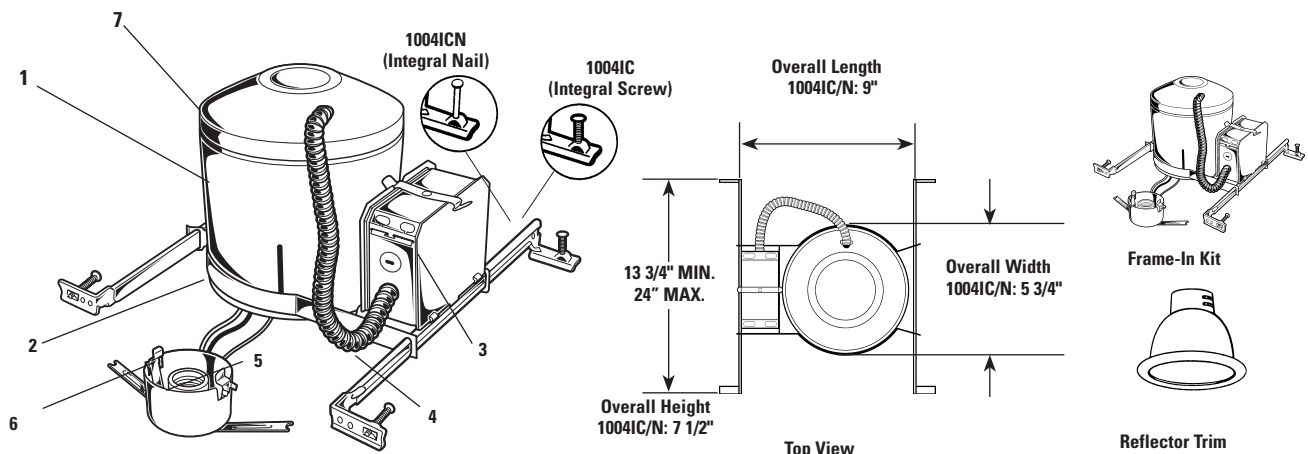


Lytecaster® Recessed Downlighting **1004IC**



5" Aperture: Complete Fixture consists of Reflector Trim & Frame-In Kit. Select each separately.

| Frame-In Kit | Reflector Trims — See Individual Reflector Trim Specification Sheets | | | | | | | | | |
|--------------------|--|------------|---------|-------------|---------|------------|--------|--------------------|-------------------|-------------|
| | Open Downlight | | | | | Adjustable | | Enclosed Diffusers | Open Wet Location | Wall Washer |
| Anodized Reflector | Anodized Cone | Satin Cone | Baffles | Basic White | Eyeball | | | | | |
| 1004IC | 1045 | 1012 | 1008 | 1005 | 1071 | 1022 | 1021* | 1081CD | 1085* | |
| 1004ICQ** | 1046 | 1012NM | 1008NM | 1005NM | | 1022WH | 1024* | 1081WH | | |
| 1004ICN | 1046CD | 1013 | 1010 | 1005WH | | 1082 | 1177LX | | | |
| 1004ICNQ** | | 1013BK | 1010NM | 1005BNM | | 1088 | 1178LX | | | |
| | | 1013CD | | 1076 | | 1088GW | 1090* | | | |
| | | 1013NM | | 1076WH | | 1088WH | | | | |
| | | 1013BKNM | | | | | | | | |
| | | 1013CDNM | | | | | | | | |
| | | 1013WH | | | | | | | | |

* For Non-IC applications only.
**Supplied with integral push-in wire connectors

Features

- Housing:** .032 (#20 ga.) aluminum. UL listed convertible IC/NON-IC. 2" vertical adjustment in ceiling. Can be removed for access to junction box and ceiling plenum. AirSeal® housing minimizes air leakage to less than 2 CFM at 1.57 PSF (or 75pa), which complies with Model Energy Code (Section 602.3.3) and Washington State Energy Code (Section 502.4) and reduces heat loss and condensation in ceiling.
- Mounting Frame:** .048 (#18 ga.) galvanized steel. Locks into position along length of mounting bars with locking spring and bendable slot. (3) slots 90° apart simplify alignment.
- Junction Box:** 2" X 4" X 3 1/2" (22 cu. in.) .032 (#22 ga.) galvanized steel. UL listed for maximum 6 (#12 ga.) 1004IC/N 90°C through branch circuit conductors. Integral cable clamps permit attachment of non-metallic (#12 or #14 ga.) Romex® cable without tools or additional connectors.
- Mounting Bars:** .059 (#16 ga.) galvanized steel. Bars pivot for easy attachment and wire-in below ceiling line. Bars extend to accommodate 16" to 24" O.C. joist spacing. The 1004IC features integral self-tapping philips screws for secure attachment to wood or metal construction. The 1004ICN features integral nails for secure attachment to wood. Both attach to T-bar ceilings without the need of accessories.
- Socket Housing:** Impact extruded aluminum or galvanized steel. Attached trim retaining spring secures trim to any height on housing wall.
- Socket:** Porcelain medium base: nickel plated screw shell. Pre-wired with #18 ga. SF1 (300 VOLT 200° C) leads to junction box.
- Thermal Protector:** Meets NEC and UL requirements. Located inside housing.

Options & Accessories

AirSeal® Kit: LAS56
NOTE: Use only if factory installed tape or knockouts are removed from vertical adjustment slots in housing wall.

Labels

UL (Type IC/NON-IC Convertible; Suitable for Damp Locations)
 Complies with Air Leakage Requirements stated in the Model Energy Code and the Washington State Energy Code.

AirSeal® is a registered trademark of Lightolier.
 Romex® is a registered trademark of General Cable Industries Inc.

| Job Information | Type: |
|------------------|-------|
| Job Name: | |
| Cat. No.: | |
| Lamp(s): | |
| Notes: | |

Lightolier a Genlyte company www.lightolier.com
 631 Airport Road, Fall River, MA 02720 • (508) 679-8131 • Fax (508) 674-4710
 We reserve the right to change details of design, materials and finish.
 © 2007 Genlyte Group LLC • 10407