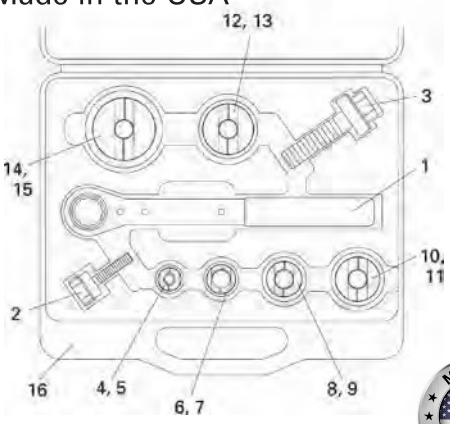


# 157PM Ratchet Knockout Set

- Features Piece Maker™ punches
- 1" hex ratchet wrench fits both 3/8" and 3/4" draw bolts
- Heavy duty plastic carrying case
- Designed to punch a maximum of 10 gauge ( .134" ) mild steel
- Compare with Greenlee® Slug-Buster® Model 7238SB\*
- Made in the USA



*Piece Maker™ Punches are designed to split the slug into two pieces for easy removal from die after punch completion*



Catalog Number	Description	Weight	UPC
157PM	Ratchet Knockout Set 1/2" – 2"	9 lbs.	811993021251

Item Number	Catalog Number	Qty	Description	UPC
1	1556	1	1" Ratchet Wrench	811993021602
2	1557	1	Draw Bolt – 3/8" x 1 5/8"	811993020155
3	1558	1	Draw Bolt – 3/4" x 2 15/16"	811993020162
4	1524	1	1/2" Piece Maker™ Punch	811993020032
5	1525	1	1/2" Die	811993020049
6	1526	1	3/4" Piece Maker™ Punch	811993020056
7	1527	1	3/4" Die	811993020063
8	1528	1	1" Piece Maker™ Punch	811993020070
9	1529	1	1" Die	811993020087
10	1530	1	1 1/4" Piece Maker™ Punch	811993020094
11	1531	1	1 1/4" Die	811993020100
12	1532	1	1 1/2" Piece Maker™ Punch	811993020117
13	1533	1	1 1/2" Die	811993020124
14	1534	1	2" Piece Maker™ Punch	811993020131
15	1535	1	2" Die	811993020148
16	157-PC	1	Plastic Case	811993021619

Scan here for manual



\*Greenlee® and Slug-Buster® are registered trademarks of Greenlee Tools, Inc.