

# SYLVANIA Lamps

## ULTRA LED™ High Bay

### Application

ULTRA LED High Bay lamps are ideal replacements for HID indoor high bay applications.

### Benefits and Features

- Lasts up to 5x longer than HID lamps
- No warm-up time, instant on with full light output and stable color
- Consumes up to 74% less energy than equivalent HID lamps while delivering same light output
- Replacement for 175W – 400W HID applications
- Up-lighting for an aesthetic lit appearance in fixtures
- Extendable base up to 50mm for better fixture compatibility
- Up to 140 LPW
- 4000K and 5000K color temperatures
- CRI 80+
- 120° directional beam angle

### Electrical

- 120-277V<sub>AC</sub>
- Power Factor >90%
- 6kV surge protection
- Step dimming capability when paired with optional motion/daylight sensor and remote control

### Rated Life

- 50,000 hours (L<sub>70</sub>)

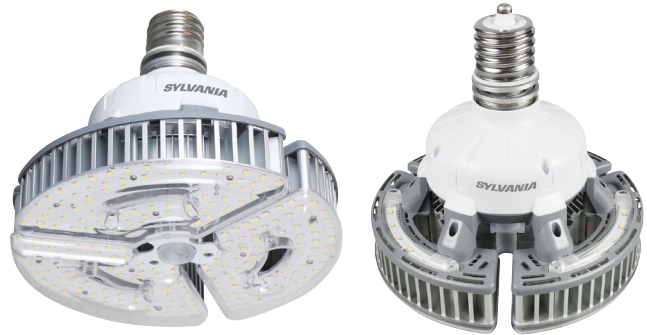
### Warranty

- Standard 5 year lamp warranty

### Ambient Operating Range

- -40°F to +122°F (-40°C to +50°C)

Item #
Type
Project
Notes
Date



### Wattage Comparison

Traditional Source	Traditional System Wattage	LED System Wattage	Energy Savings	Energy Savings Over Lamp Life
HID Metal Halide	175W	60W	74%	\$633
HID Metal Halide	250W	80W	73%	\$935
HID Metal Halide	400W	100W	76%	\$1650
HID Metal Halide	400W	120W	69%	\$1540

\*Energy savings over life of lamp calculated at \$0.11/kWh

### Certifications and Listings

- DLC 5.1 Rated
- IP64 Damp Rated
- cULus
- RoHS
- FCC
- Lead Free
- Mercury Free

This device complies with Part 15 of the FCC rules. Operation is subject to the following two conditions: (1) this device may not cause harmful interference, and (2) this device must accept any interference received, including interference that may cause undesired operation. Please visit: [www.SYLVANIA.com/fccpart15b](http://www.SYLVANIA.com/fccpart15b) for more information.

### Installation

- Requires easy ballast by-pass
- Lamp operates directly on line voltage, 120-277V<sub>ac</sub>.
- Additional accessories are available



## Ordering Guide

LED	XX	HIBAY	8	XX	MOG
LED Lamps and Retrofits	Wattage 60 = 60 Watts 80 = 80 Watts 100 = 100 Watts 120 = 120 Watts	Lamp Type High Bay	CRI 8 = 80+	Color Temperature 40 = 4000K 50 = 5000K	Base Type Mogul

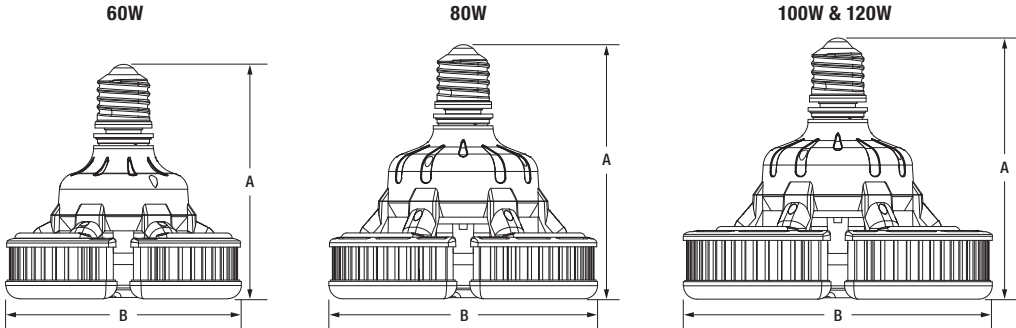
## Ordering Information

Item Number	Ordering Abbreviation	Wattage (W)	Base Type	Replaces	Input Voltage (V)	Average Life (hrs)	Color Temperature (CCT)	Typical Lumens (lm)	CRI	Power Factor	Case Qty	DLC	CEC
40982	LED60HIBAY840MOG 4/CS 1/SKU	60	Mogul	175W HO*	120-277	50,000	4000K	8400	80+	0.9	4	Yes	Yes
40983	LED60HIBAY850MOG 4/CS 1/SKU	60	Mogul	175W HO*	120-277	50,000	5000K	8400	80+	0.9	4	Yes	Yes
40978	LED80HIBAY840MOG 4/CS 1/SKU	80	Mogul	250W	120-277	50,000	4000K	11,200	80+	0.9	4	Yes	Yes
40979	LED80HIBAY850MOG 4/CS 1/SKU	80	Mogul	250W	120-277	50,000	5000K	11,200	80+	0.9	4	Yes	Yes
40972	LED100HIBAY840MOG 4/CS 1/SKU	100	Mogul	400W	120-277	50,000	4000K	14,000	80+	0.9	4	Yes	Yes
40973	LED100HIBAY850MOG 4/CS 1/SKU	100	Mogul	400W	120-277	50,000	5000K	14,000	80+	0.9	4	Yes	Yes
40980	LED120HIBAY840MOG 4/CS 1/SKU	120	Mogul	400W HO*	120-277	50,000	4000K	16,800	80+	0.9	4	Yes	Yes
40981	LED120HIBAY850MOG 4/CS 1/SKU	120	Mogul	400W HO*	120-277	50,000	5000K	16,800	80+	0.9	4	Yes	Yes

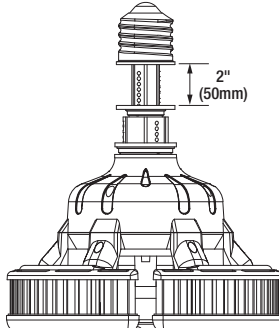
\*HO refers to a High Output lumen replacement

## Physical Information

	(A) Length (in)	(B) Diameter (in)
60W High Bay	6.8	6.8
80W High Bay	7.4	7.8
100W/120W High Bay	7.6	9.0



	(C) Length
Base Extension	Up to 2 in



Base Extension

## Accessory Information\*

Item Number	Ordering Abbreviation	Description
75055	LED/ADAPTOR/MOGLBASE**	LED Retrofit HID Mogul Base Adaptor
41145	LEDHIDREMOTE	Remote Control
41146	LEDHIDSENSORMICROWAVEMOTDAY	Motion and Daylight Sensor

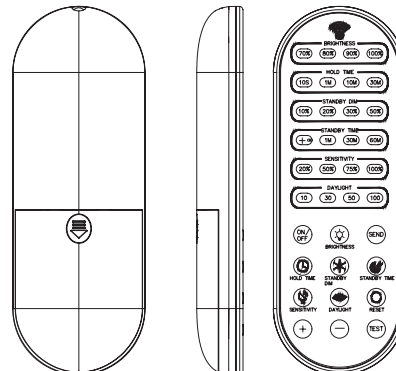
\*Also compatible with HIDr Selectable and HIDr AREA LIGHT.

\*\*Enables lamps with E26 medium base to be used in EX39 mogul base socket applications.

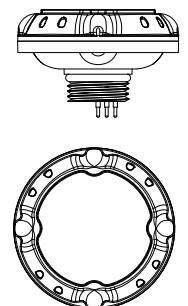
### Mogul Base Adaptor



### Remote Control



### Motion and Daylight Sensor



### Additional Specifications

- Should be used in open fixtures only
- Verify fixture size before installation to ensure fit
- Dimming function can only be enabled when the lamp is paired with SYLVANIA motion sensor and remote control (purchased separately)
- Not suitable for outdoor fixtures with air vents
- Should not be directly exposed to water

LEDVANCE LLC  
200 Ballardvale Street  
Wilmington, MA 01887 USA  
Phone 1-800-LIGHTBULB (1-800-544-4828)  
www.sylvania.com

SYLVANIA and LEDVANCE are registered trademarks.  
All other trademarks are those of their respective owners.  
Licensee of product trademark SYLVANIA in general lighting.  
Specifications subject to change without notice.

 /sylvania  /sylvania

Name: \_\_\_\_\_

Email: \_\_\_\_\_

Phone: \_\_\_\_\_

