

IMMERSION™

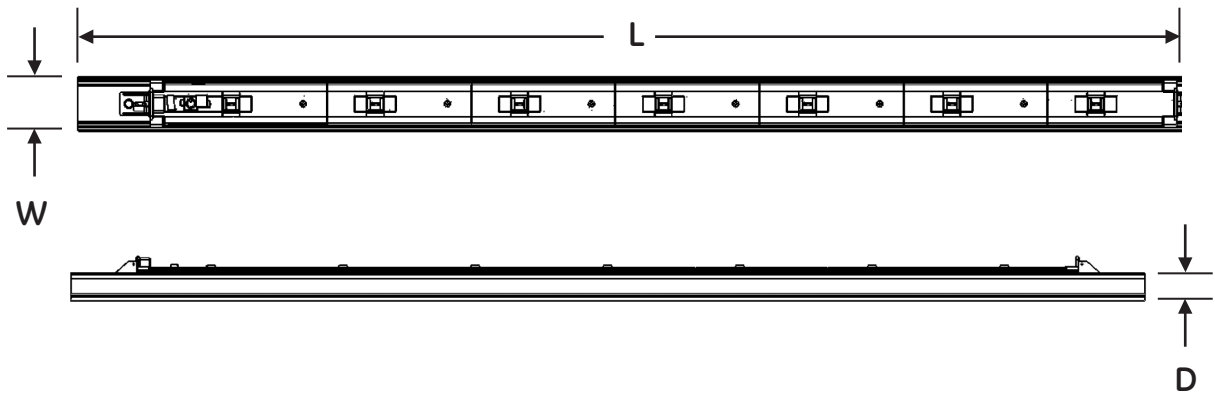
LED Refrigerated Display Lighting

Vertical Cases
RV60 Series

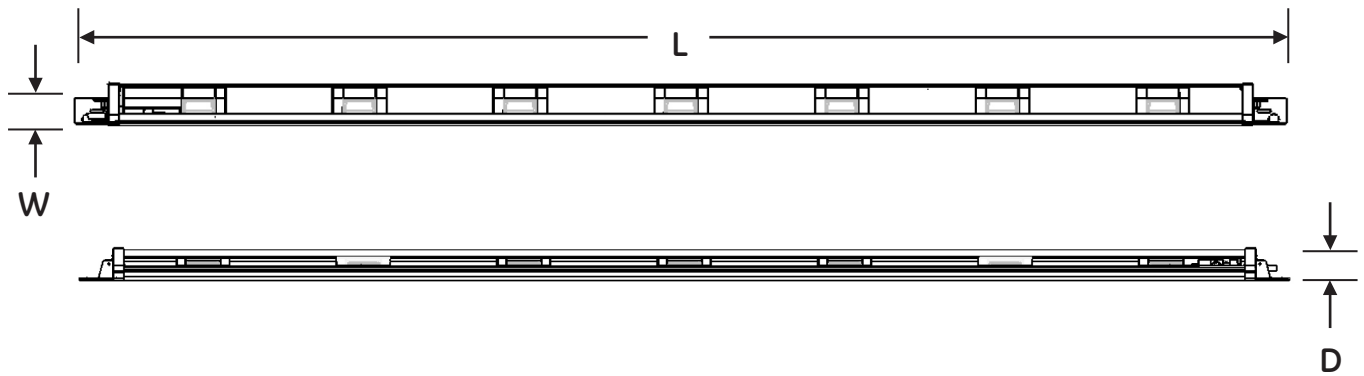


LED Lights

Center LED Lights

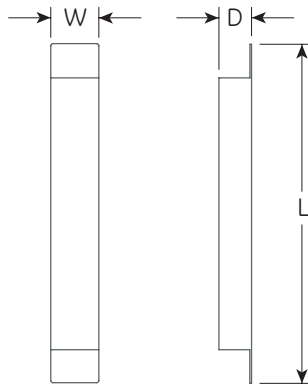


End LED Lights

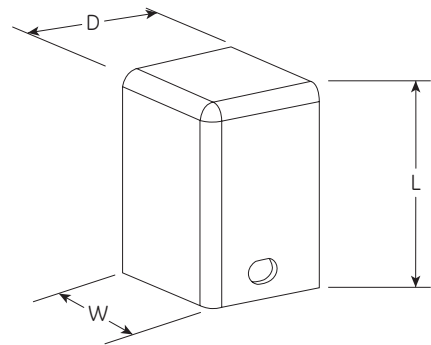


Accessories

LED Driver



Wire Cover



LED Drivers

PERFORMANCE DATA			DIMENSIONAL DATA			
Product Code	Description	Item		Length (L)	Width (W)	Depth (D)
68593	GEPS6000NCMUL-SY	100W LED Driver	(in)	10.75	1.65	1.1
			(mm)	273	42	28
68595	GEPS6500NCMUL-SY	50W LED Driver	(in)	10.75	1.65	1.1
			(mm)	273	42	28
79814	GE-CV-4060CTR	Wire Cover	(in)	1.77	1.42	1.19
			(mm)	45.01	36	30.23

Immersion RV60 Series

PRODUCT INFO				PERFORMANCE DATA							DIMENSIONAL DATA				
Product Code (Single)	Product Code (10-Pack)	Description	Item	Color Temp (K)*	Light Output (Lumens)**	LPW	Lumens per Foot per Meter	Life (Hours)	CRI (Min)	Power (Watts)***	Length (L)	Width (W)	Depth (D)		
5000K	85742	85745	GELT604850CTR-SY/ SB	48" LED Light - Center	5000	896	80	222 727	50,000	80	11.2	(in) (mm)	48.53 1232.6	2.58 65.5	1.28 32.5
	85744	85747	GELT604850EDL-SY/ SB	48" LED Light - Left End	5000	559	81	138	50,000	80	6.9	(in)	48.53	2.09	1.59
	85743	85746	GELT604850EDR-SY/ SB	48" LED Light - Right End				454				(mm)	1232.6	53.1	40.4
	85699	85702	GELT606050CTR-SY/ SB	60" LED Light - Center	5000	1020	73	203 665	50,000	80	13.9	(in)	60.36	2.58	1.28
	85701	85704	GELT606050EDL-SY/ SB	60" LED Light - Left End	5000	569	81	113	50,000	80	7.0	(in)	60.36	2.09	1.59
	85700	85703	GELT606050EDR-SY/ SB	60" LED Light - Right End				371				(mm)	1533.1	53.1	40.4
	85717	85722	GELT606750CTR-SY/ SB	67" LED Light - Center	5000	1227	80	218 716	50,000	80	15.4	(in)	67.47	2.58	1.28
85721	85724	GELT606750EDL-SY/ SB	67" LED Light - Left End	5000	745	85	133	50,000	80	8.8	(in)	67.47	2.09	1.59	
85720	85723	GELT606750EDR-SY/ SB	67" LED Light - Right End				435				(mm)	1713.76	53.1	40.4	
4000K	85748	85751	GELT604840CTR-SY/ SB	48" LED Light - Center	4000	844	76	209 685	50,000	80	11.2	(in)	48.53	2.58	1.28
	85750	85753	GELT604840EDL-SY/ SB	48" LED Light - Left End	4000	534	77	132	50,000	80	6.9	(in)	48.53	2.09	1.59
	85749	85752	GELT604840EDR-SY/ SB	48" LED Light - Right End				433				(mm)	1232.6	53.1	40.4
	85705	85708	GELT606040CTR-SY/ SB	60" LED Light - Center	4000	1023	74	203 667	50,000	80	13.9	(in)	60.36	2.58	1.28
	85707	85710	GELT606040EDL-SY/ SB	60" LED Light - Left End	4000	577	82	115	50,000	80	7.0	(in)	60.36	2.09	1.59
	85706	85709	GELT606040EDR-SY/ SB	60" LED Light - Right End				376				(mm)	1533.1	53.1	40.4
	85725	85728	GELT606740CTR-SY/ SB	67" LED Light - Center	4000	1142	74	203 666	50,000	80	15.4	(in)	67.47	2.58	1.28
85727	85735	GELT606740EDL-SY/ SB	67" LED Light - Left End	4000	683	78	121	50,000	80	8.8	(in)	67.47	2.09	1.59	
85726	85734	GELT606740EDR-SY/ SB	67" LED Light - Right End				399				(mm)	1713.76	53.1	40.4	
3500K	85754	85757	GELT604835CTR-SY/ SB	48" LED Light - Center	3500	813	73	201 660	50,000	80	11.2	(in)	48.53	2.58	1.28
	85756	85759	GELT604835EDL-SY/ SB	48" LED Light - Left End	3500	500	72	124	50,000	80	6.9	(in)	48.53	2.09	1.59
	85755	85758	GELT604835EDR-SY/ SB	48" LED Light - Right End				406				(mm)	1232.6	53.1	40.4
	85711	85714	GELT606035CTR-SY/ SB	60" LED Light - Center	3500	908	65	181 592	50,000	80	13.9	(in)	60.36	2.58	1.28
	85713	85716	GELT606035EDL-SY/ SB	60" LED Light - Left End	3500	516	74	103	50,000	80	7.0	(in)	60.36	2.09	1.59
	85712	85715	GELT606035EDR-SY/ SB	60" LED Light - Right End				337				(mm)	1533.1	53.1	40.4
	85736	85739	GELT606735CTR-SY/ SB	67" LED Light - Center	3500	1105	72	197 645	50,000	80	15.4	(in)	67.47	2.58	1.28
85738	85741	GELT606735EDL-SY/ SB	67" LED Light - Left End	3500	667	76	119	50,000	80	8.8	(in)	67.47	2.09	1.59	
85737	85740	GELT606735EDR-SY/ SB	67" LED Light - Right End				389				(mm)	1713.76	53.1	40.4	

*Color temp (CCT) +/- 10%

**Based on typical in-store conditions.

***System AC watts based on typical in-store conditions.

LED Driver Performance Data

	68595 GEPS6500NCMUL-SY			68593 GEPS6000NCMUL-SY		
	Min	Typical	Max	Min	Typical	Max
Input Voltage (VAC)	90		264	90		264
Input Current (A)			1			1.5
Input Line Frequency (Hz)	50		60	50		60
Output Voltage (V)	22.8	24	25.2	22.8	24	25.2
Output Power (W)			50			100
Max Output Current (A)			2.08			4.1
Operating Temperature Range (°C)	-20		50	-20		50
Storage Temperature Range (°C)	-40		70	-40		70

Conforms to the following standards:



This device complies with Part 15 of the FCC Rules. Operation is subject to the following two conditions: (1) this device may not cause harmful interference, and (2) this device must accept any interference received, including interference that may cause undesired operation.

This Class [A] RFLD complies with the Canadian standard ICES-003. Ce DEFR de la classe [A] est conforme à la NMB-003 du Canada.

NOTE: This equipment has been tested and found to comply with the limits for a Class A digital device, pursuant to part 15 of the FCC Rules. These limits are designed to provide reasonable protection against harmful interference when the equipment is operated in a commercial environment. This equipment generates, uses, and can radiate radio frequency energy and, if not installed and used in accordance with the instruction manual, may cause harmful interference to radio communications. Operation of this equipment in a residential area is likely to cause harmful interference in which case the user will be required to correct the interference at his own expense.

This product is intended solely for the use of commercial refrigerated, display or case lighting and is not intended for use in any other application.



GE Lighting Solutions • 1-888-MY-GED-LED • www.gelighting.com
1-888-69-43-533

GE Lighting Solutions, LLC is a subsidiary of the General Electric Company. Immersion is a trademark of GE Lighting Solutions, LLC. The GE brand and logo are trademarks of the General Electric Company. © 2014 GE Lighting Solutions, LLC. Information provided is subject to change without notice. All values are design or typical values when measured under laboratory conditions.