



VRT VERT Area and Site Light

FEATURES

- Modern, low-profile design
- Easy installation
- 12,500-57,300 lumens
- Multiple mounting options available for versatile use
- Polycarbonate TIR optics
- Z10 enabled to simplify controls
- Designed for use with EiKO's aluminum or steel poles; contact EiKO for package pricing

CERTIFICATIONS

- UL Listed for wet locations
- IP65 Rated
- DesignLights Consortium® Premium Qualified - meets the requirements for the highest DLC qualification for efficacy and lumen maintenance
- 3G Rated per ANSI C136.31

PERFORMANCE

- Rated lifetime:
 - L70: 50,000 hours
 - L90: 36,000 hours
- 4000K, 5000K CCT
- CRI: >70

ELECTRICAL

- Input voltage: 120-277V; 277-480V
- 0-10V dimming
- Power Factor: >0.9
- THD: <20%
- 10kV driver, plus 10kV supplemental surge protection

THERMAL

- -40°F to 122°F (-40°C to 50°C) operating temperature

CONSTRUCTION

- Diecast aluminum body with durable powder coat finish
- UV stabilized polycarbonate lens
- Stainless steel hardware
- Z10 included on all fixtures

WARRANTY

- 5 year limited warranty. Additional warranty options available. Contact EiKO for details

project name	type
catalog number	voltage
approved by	date



VRT1



VRT2



VRT3

APPLICATIONS

- Parking Areas
- Automotive Dealerships
- Roadways
- Campuses
- Streetscapes
- Airports
- Area security lighting
- Building facades
- Signs
- Entryways

CONFIGURATOR

MODEL	LUMEN PACKAGE	CCT	VOLTAGE	DIMMING	DISTRIBUTION	FINISH	CONTROLS	MOUNT (REQUIRED)
VRT1 : VERT 100-150W	100W - 100W; 12,500 lm 150W - 150W; 19,700 lm	740 - 70 CRI; 4000K 750 - 70 CRI; 5000K	U - 120-277V V - 277-480V	D - 0-10V Dimming	T3 - Type 3 T5 - Type 5	BZ - Bronze	See p. 2 for options	VRT-S-BZ - Slipfitter, 2-3/8", Bronze VRT-D-BZ - Direct Mount, Bronze VRT-Y-BZ - Yoke Mount, Bronze
VRT2 : VERT 185-300W	185W - 185W; 24,000 lm 200W - 200W; 26,000 lm 240W - 240W; 31,000 lm 300W - 300W; 39,400 lm							
VRT3 : VERT 450W	450W - 450W; 57,300 lm							



PERFORMANCE SUMMARY

ORDER CODE	ITEM #	WATTS	NOMINAL LUMENS	CCT	DISTRIBUTION	DIMMING	VOLTS	REPLACES	DLC PREMIUM
11636	VRT1/100W/740/UD/T3/BZ	100W	12,500	4000K	T3	0-10V	120-277V	up to 320W	✓
11637	VRT1/100W/740/UD/T5/BZ	100W	12,500	4000K	T5	0-10V	120-277V	up to 320W	✓
11638	VRT1/100W/750/UD/T3/BZ	100W	12,500	5000K	T3	0-10V	120-277V	up to 320W	✓
11672	VRT1/100W/750/UD/T5/BZ	100W	12,500	5000K	T5	0-10V	120-277V	up to 320W	✓
11667	VRT1/150W/740/UD/T3/BZ	150W	19,700	4000K	T3	0-10V	120-277V	up to 400W	✓
11666	VRT1/150W/740/UD/T5/BZ	150W	19,700	4000K	T5	0-10V	120-277V	up to 400W	✓
11671	VRT1/150W/740/VD/T3/BZ	150W	19,700	4000K	T3	0-10V	277-480V	up to 400W	✓
11662	VRT1/150W/740/VD/T5/BZ	150W	19,700	4000K	T5	0-10V	277-480V	up to 400W	✓
11648	VRT1/150W/750/UD/T3/BZ	150W	19,700	5000K	T3	0-10V	120-277V	up to 400W	✓
11651	VRT1/150W/750/UD/T5/BZ	150W	19,700	5000K	T5	0-10V	120-277V	up to 400W	✓
11653	VRT1/150W/750/VD/T3/BZ	150W	19,700	5000K	T3	0-10V	277-480V	up to 400W	✓
11656	VRT1/150W/750/VD/T5/BZ	150W	19,700	5000K	T5	0-10V	277-480V	up to 400W	✓
11658	VRT2/185W/740/UD/T3/BZ	185W	24,000	4000K	T3	0-10V	120-277V	up to 400W	✓
11665	VRT2/185W/740/UD/T5/BZ	185W	24,000	4000K	T5	0-10V	120-277V	up to 400W	✓
11663	VRT2/185W/750/UD/T3/BZ	185W	24,000	5000K	T3	0-10V	120-277V	up to 400W	✓
11660	VRT2/185W/750/UD/T5/BZ	185W	24,000	5000K	T5	0-10V	120-277V	up to 400W	✓
11647	VRT2/200W/740/VD/T3/BZ	200W	26,000	4000K	T3	0-10V	277-480V	up to 400W	✓
11654	VRT2/200W/740/VD/T5/BZ	200W	26,000	4000K	T5	0-10V	277-480V	up to 400W	✓
11650	VRT2/200W/750/VD/T3/BZ	200W	26,000	5000K	T3	0-10V	277-480V	up to 400W	✓
11668	VRT2/200W/750/VD/T5/BZ	200W	26,000	5000K	T5	0-10V	277-480V	up to 400W	✓
11652	VRT2/240W/740/UD/T3/BZ	240W	31,000	4000K	T3	0-10V	120-277V	up to 400W	✓
11664	VRT2/240W/740/UD/T5/BZ	240W	31,000	4000K	T5	0-10V	120-277V	up to 400W	✓
11657	VRT2/240W/750/UD/T3/BZ	240W	31,000	5000K	T3	0-10V	120-277V	up to 400W	✓
11641	VRT2/240W/750/UD/T5/BZ	240W	31,000	5000K	T5	0-10V	120-277V	up to 400W	✓
11645	VRT2/300W/740/UD/T3/BZ	300W	39,400	4000K	T3	0-10V	120-277V	up to 1000W	✓
11655	VRT2/300W/740/UD/T5/BZ	300W	39,400	4000K	T5	0-10V	120-277V	up to 1000W	✓
11659	VRT2/300W/740/VD/T3/BZ	300W	39,400	4000K	T3	0-10V	277-480V	up to 1000W	✓
11670	VRT2/300W/740/VD/T5/BZ	300W	39,400	4000K	T5	0-10V	277-480V	up to 1000W	✓
11661	VRT2/300W/750/UD/T3/BZ	300W	39,400	5000K	T3	0-10V	120-277V	up to 1000W	✓
11642	VRT2/300W/750/UD/T5/BZ	300W	39,400	5000K	T5	0-10V	120-277V	up to 1000W	✓
11643	VRT2/300W/750/VD/T3/BZ	300W	39,400	5000K	T3	0-10V	277-480V	up to 1000W	✓
11669	VRT2/300W/750/VD/T5/BZ	300W	39,400	5000K	T5	0-10V	277-480V	up to 1000W	✓
11934	VRT3/450W/740/UD/T3/BZ	450W	57,300	4000K	T3	0-10V	120-277V	up to 1200W	✓
11935	VRT3/450W/740/VD/T3/BZ	450W	57,300	4000K	T3	0-10V	277-480V	up to 1200W	✓
11646	VRT3/450W/750/UD/T3/BZ	450W	57,300	5000K	T3	0-10V	120-277V	up to 1200W	✓
11644	VRT3/450W/750/UD/T5/BZ	450W	57,300	5000K	T5	0-10V	120-277V	up to 1200W	✓

MOUNTING ACCESSORIES (MUST BE ORDERED WITH FIXTURE)

10162	VRT-S-BZ	Slipfitter Mount for VERT, 2 3/8", Bronze
10135	VRT-D-BZ	Direct Mount for VERT, Bronze
10134	VRT-Y-BZ	Yoke Mount for VERT, Bronze

MADE TO ORDER OPTIONS

(Contact Regional Sales Manager for details)

EXAMPLE: VRT/100W/840/UD/T3/BZ-PCR7

PCR7	NEMA 7-Pin locking photo control receptacle per NEMA C136.41§
------	---

PHOTOCELLS

ORDER CODE	ITEM #	DESCRIPTION
12092	PC1-4500K	Shorting Plug 120480V 15A 2-yr Warranty
10041	PC1-4536S-U	Photocell Twist-lock 120-277V 2A (6-yr Warranty)
10042	PC1-4536P-U	Premium Photocell Twist Lock 120-277V 6A (8-yr Warranty)
10203	PC1-4537-V	Photocell Twist Lock 347-480V 6A 6-yr Warranty
10204	PC1-4537SC-V	Premium Photocell Twist Lock 347-480V 8A 12-yr Warranty

§Photocell must be ordered separately.

Extended warranty period applies to the photocell device only. Refer to the device manufacturer's warranty for details.

CONTROLS

ORDER CODE	ITEM #	DESCRIPTION
SENSORS		
11947	SEN5A/PIR/Z10*	PIR motion + photocell
11931	SEN5A/M/Z10*	Microwave motion + photocell
11933	SEN5A/CT	Commissioning Tool for Series 5 Sensors
XI-FI		
12403	XIFI/M/CV1/Z10†	Z10 Xi-Fi Capsule: clear w/ microwave motion sensor‡
10893	EC-004-2N-129	Xi-Fi Dongle
10894	EC-018-9N-147	Xi-Fi Remote

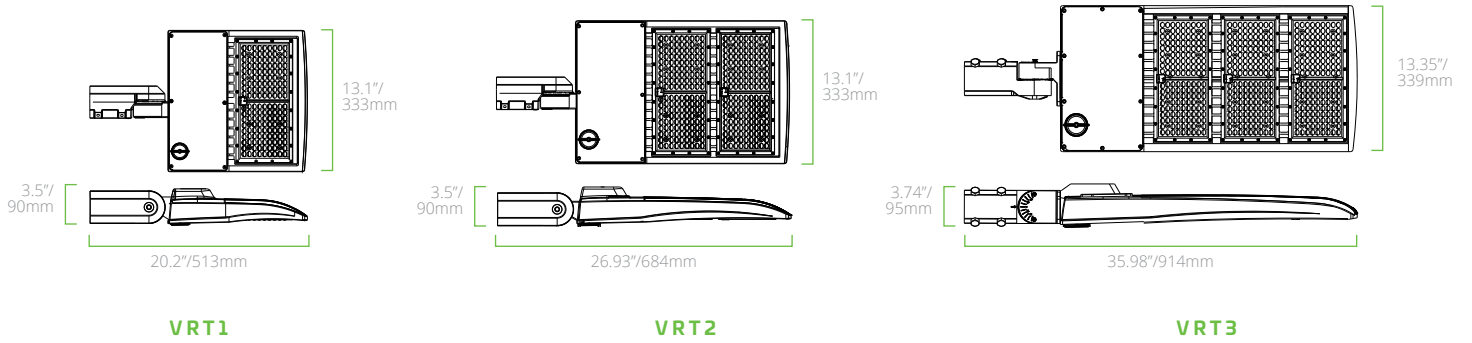
*Must order SEN5A/CT commissioning tool to configure sensor

†Must order or have access to Xi-Fi Dongle and Xi-Fi Remote to configure Xi-Fi.

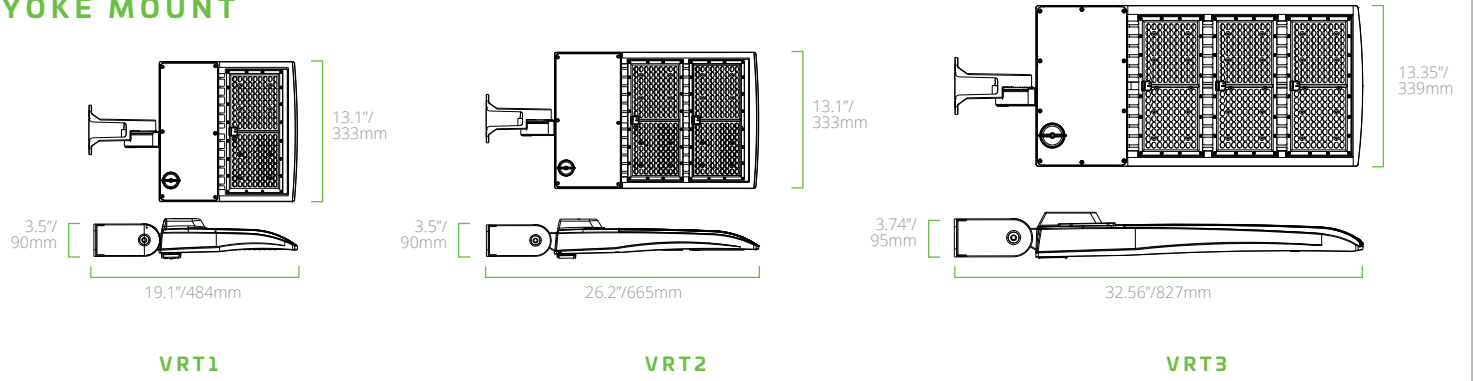
‡Optimized for mounting heights up to 24ft.

PRODUCT DIMENSIONS

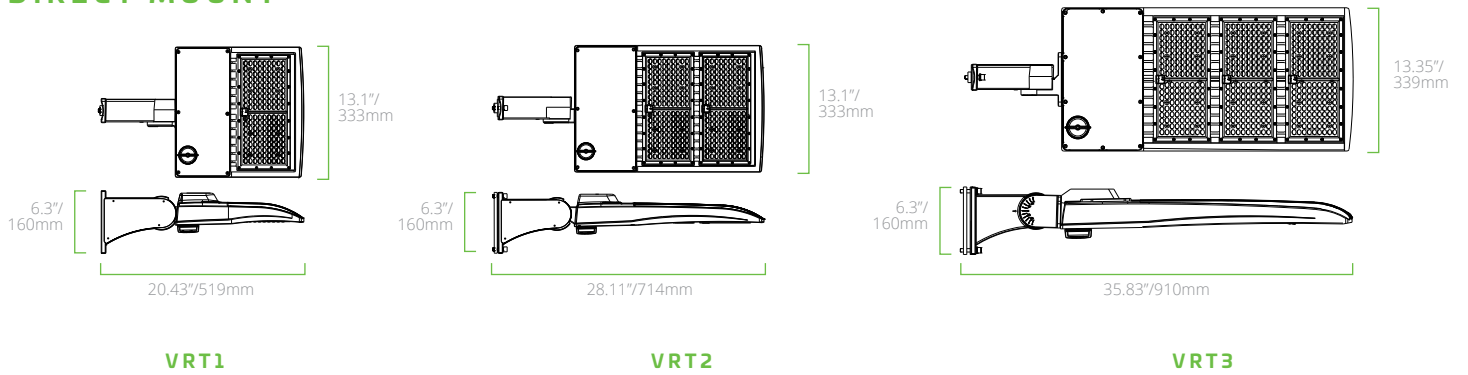
SLIPFITTER MOUNT



YOKE MOUNT

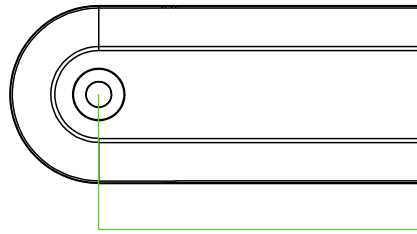


DIRECT MOUNT

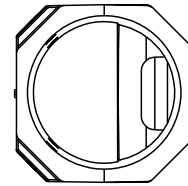


MOUNT DIMENSIONS

SLIPFITTER MOUNT

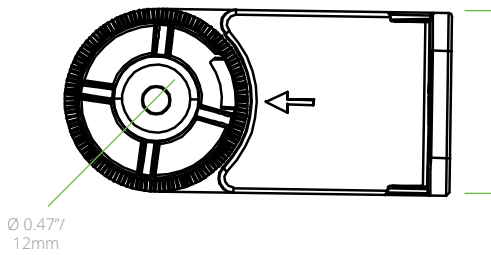


5.43"/138mm



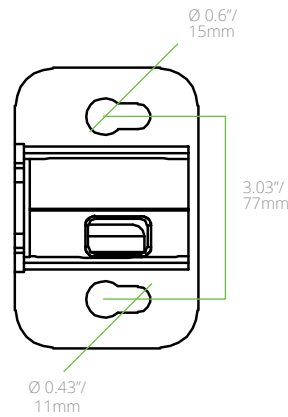
3.03"/77mm
(Fits pipe diameter: 1½" to 2¾")

YOKE MOUNT



Ø 0.47"/12mm

3.03"/77mm

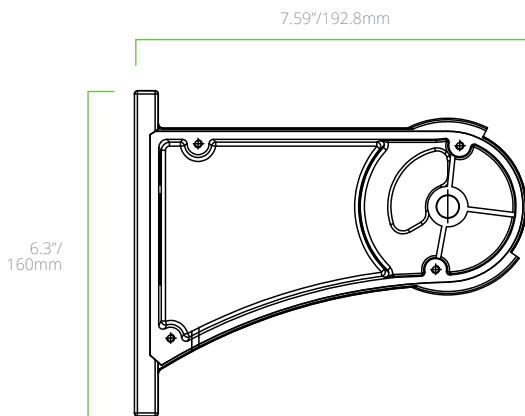


Ø 0.6"/15mm

3.03"/77mm

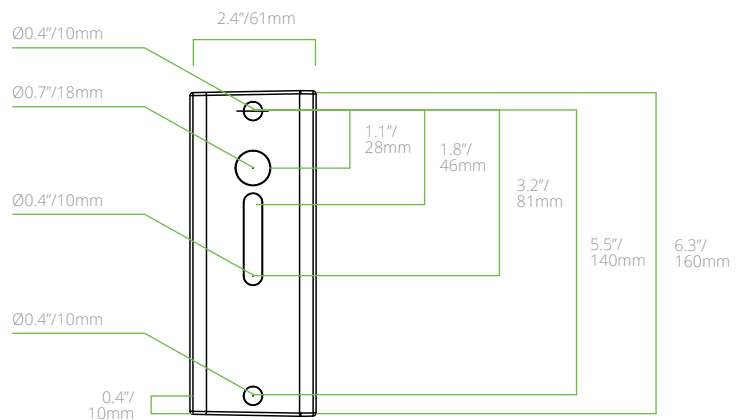
Ø 0.43"/11mm

DIRECT MOUNT



7.59"/192.8mm

6.3"/160mm



Ø0.4"/10mm

2.4"/61mm

Ø0.7"/18mm

1.1"/28mm

1.8"/46mm

Ø0.4"/10mm

3.2"/81mm

Ø0.4"/10mm

0.4"/10mm

5.5"/140mm

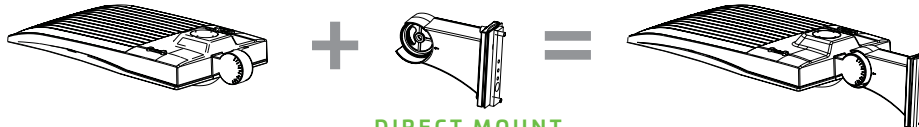
6.3"/160mm

CONFIGURATIONS

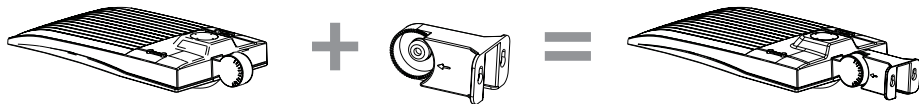
(MOUNTS ORDERED SEPARATELY AND FIELD INSTALLED)



SLIPFITTER MOUNT



DIRECT MOUNT



YOKE MOUNT

MOUNTING CONFIGURATIONS

VRT1



S Single
EPA: 0.8
Weight: 12.9 lbs.



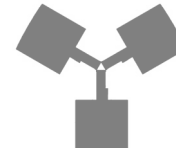
D90 Double 90°
EPA: 0.98
Weight: 24.8 lbs.



D180 Double 180°
EPA: 1.5
Weight: 24.8 lbs.



T90 Triple 90°
EPA: 1.55
Weight: 36.7 lbs.



T90 Triple 120°
EPA: 1.55
Weight: 36.7 lbs.



Q90 Quad 90°
EPA: 1.55
Weight: 48.6 lbs.

VRT2



S Single
EPA: 1.1
Weight: 18.6 lbs.



D90 Double 90°
EPA: 1.28
Weight: 36.2 lbs.



D180 Double 180°
EPA: 1.9
Weight: 36.2 lbs.



T90 Triple 90°
EPA: 2.0
Weight: 53.8 lbs.



T90 Triple 120°
EPA: 2.0
Weight: 53.8 lbs.



Q90 Quad 90°
EPA: 2.0
Weight: 69.8 lbs.

VRT3



S Single
EPA: 1.1
Weight: 18.6 lbs.



D90 Double 90°
EPA: 1.28
Weight: 36.2 lbs.



D180 Double 180°
EPA: 1.9
Weight: 36.2 lbs.



T90 Triple 90°
EPA: 2.0
Weight: 53.8 lbs.



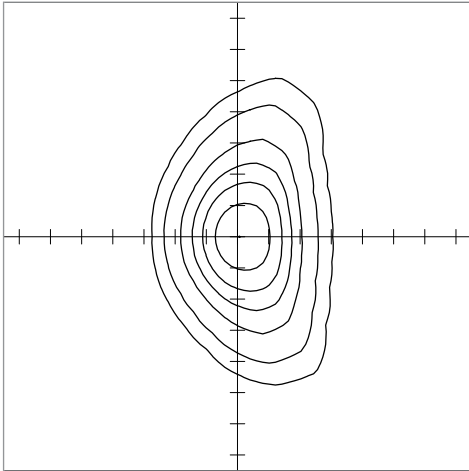
T90 Triple 120°
EPA: 2.0
Weight: 53.8 lbs.



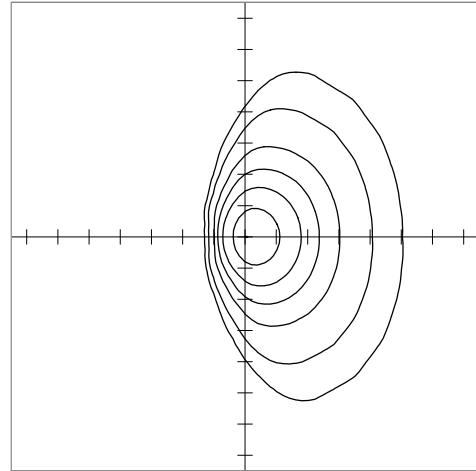
Q90 Quad 90°
EPA: 2.0
Weight: 69.8 lbs.

DISTRIBUTION

T3 DISTRIBUTION



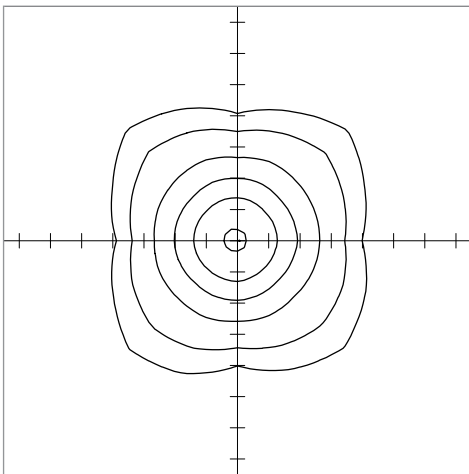
LUMINAIRE TILTED AT 0°



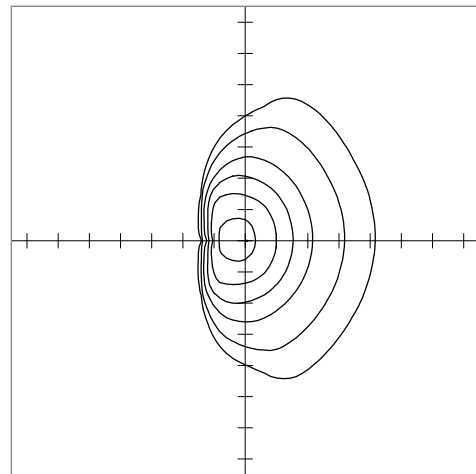
LUMINAIRE TILTED AT 30°

Distances are in units of mounting height (20').

T5 DISTRIBUTION



LUMINAIRE TILTED AT 0°



LUMINAIRE TILTED AT 30°

Distances are in units of mounting height (20').