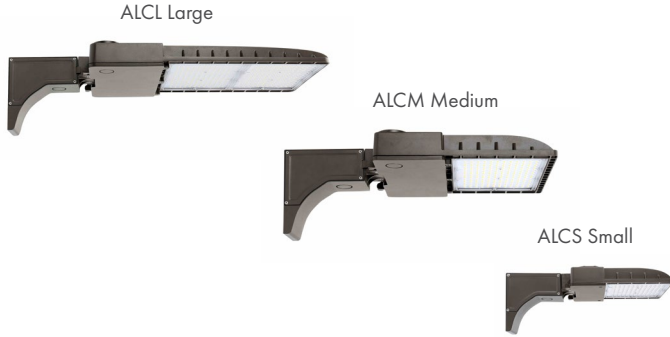


PROJECT: _____
 CATALOG #: _____
 FIXTURE TYPE: _____
 NOTES: _____

ALC Area Light Contractor Series Gen 1



Images are shown for illustration purpose only.

The **ALC Area Light Contractor Series Gen 1** comes in three sizes small, medium, and large with a lumen output between 9,000 to 39,300 lumens. This versatile luminaire designed for contractors has different mounting options, photocell, and motion sensors for efficiency and greater energy savings.

APPLICATIONS

Auto Dealerships, Parking Lots, Walkways, Roadways, and other Public Areas, etc.

REPLACEMENT

ALCS: 175W- 250W MH, **ALCM:** 400W MH,
ALCL: 750W-1000W MH+



DLC 5.0

PERFORMANCE INFORMATION

SERIES NUMBER	WATT	LUMENS	DIST	CCT
ALCS 60 T3 G1 5K	40W	5,500	Type III	5000K
ALCS 96 T3 G1 5K	70W	9,500	Type III	5000K
ALCS 140 T3 G1 5K	100W	13,400	Type III	5000K
ALCM 210 T3 G1 5K	150W	20,100	Type III	5000K
ALCM 260 T3 G1 5K	200W	25,000	Type III	5000K
ALCL 350 T3 G1 5K	250W	34,000	Type III	5000K
ALCL 410 T3 G1 5K	300W	40,200	Type III	5000K

MOUNTING & OPTIONS



ORDERING GUIDE									EXAMPLE: ALCS 60 T3 G3 5K
Luminaire Type	Size	Lumen Output	Dist. Type	Generation	Voltage	CCT	Finish	Mount	Options
<input type="checkbox"/> ALC Area Light Contractor	<input type="checkbox"/> S= Small	<input type="checkbox"/> 60 5,500 Lumens <input type="checkbox"/> 96 9,500 Lumens <input type="checkbox"/> 140 13,400 Lumens	<input type="checkbox"/> T3= Type III <input type="checkbox"/> T4= Type IV <input type="checkbox"/> T5= Type V	<input type="checkbox"/> G1	<input type="checkbox"/> BLANK= 120-277V <input type="checkbox"/> HVU= 347-480V	<input type="checkbox"/> 4K 4000K <input type="checkbox"/> 5K 5000K	<input type="checkbox"/> BLANK= Dark Bronze <input type="checkbox"/> C*= Custom	<input type="checkbox"/> ALC-SPAR= Square and Round Pole Mount <input type="checkbox"/> ALC-WMB= Wall Mount <input type="checkbox"/> ALC-SFD= Slipfitter Mount <input type="checkbox"/> ALC-T= Trunnion Mount	<input type="checkbox"/> PC-1= Twist-lock Photocell (120-277V) <input type="checkbox"/> PC-2= Twist-lock Photocell (480V) <input type="checkbox"/> PC-3= 7-Pin receptacle <input type="checkbox"/> MS-FSP-212= Motion Sensor 120-277V (Choose 1) <input type="checkbox"/> L3= 2x Lens (Max 20ft Mounting Height) <input type="checkbox"/> L7= 2.5x Lens (Max 40ft Mounting Height) <input type="checkbox"/> MS-FSP-221B= Motion Sensor 347-480V† (Choose 1) <input type="checkbox"/> L3= 2x Lens (Max 20ft Mounting Height) <input type="checkbox"/> L7= 2.5x Lens (Max 40ft Mounting Height) <input type="checkbox"/> MS-FSIR-100= Wireless Commissioning Tool for MS-FSP-221B <input type="checkbox"/> MS-LPS-202-L3= PIR Motion Sensor with 360° L3 Lens, Max 40ft mounting height <input type="checkbox"/> ALCS-EGS= External Glare Shield for ALC Small, Dark Bronze <input type="checkbox"/> ALCM-EGS= External Glare Shield for ALC Medium, Dark Bronze <input type="checkbox"/> ALCL-EGS= External Glare Shield for ALC Large, Dark Bronze
	<input type="checkbox"/> M= Medium	<input type="checkbox"/> 210 20,100 Lumens <input type="checkbox"/> 260 25,000 Lumens							
	<input type="checkbox"/> L= Large	<input type="checkbox"/> 350 34,000 Lumens <input type="checkbox"/> 410 40,200 Lumens							

*For a custom color, please call to place your order

Due to continuous product improvements, specification and/or equipment updates may change without notice.

SPECIFICATIONS

HOUSING

Precision die-cast aluminum housings with integral heat-sink fins. Parting lines dressed for high quality finish.

AMBIENT TEMPERATURE

Suitable for use in -40°C to 45°C (-40°F to 113°F)

MOUNTING

Mounting options include Square and Round Pole Mount, Wall Mount, Adjustable Slipfitter Mount and Trunnion Mount. Photocell is mounted to the Square and Round Pole Mount, Wall Mount, and Slipfitter Mount by default.

EFFICACY

Up to 139 lumens per watt (see individual wattage data)

CCT AND CRI

4000K and 5000K CCT available; 70CRI

OPTICS

Precision molded secondary optics produce superior uniformity, minimal light trespass and maximum pole spacing.

WARRANTY

5-year limited warranty. Comprehensive warranty terms can be located on www.slgus.com.

ELECTRICAL

Standard 120-277V. HVU 347V/480V. 50/60Hz with open/short circuit protection. Standard 1.5ft power cord, 18 gauge with 3 conductors. 10K Surge protector per ANSI/IEEE C62.41.2. NEMA twist-lock photocell control. Dimming 0-10V driver.

ENERGY DATA

Constant current driver efficiency above 90%.

FINISH

Polyester Powder Dark Bronze finish. Custom colors available. Multiple stage process to produce 3 mil thickness for superior corrosion resistance and maximum durability.

CERTIFICATIONS

UL Listed for wet locations. Equivalent to IP65 rating. FCC compliant. RoHs compliant. DesignLights Consortium® (DLC) Premium 5.0 and Standard 5.0 DLC qualified product. Not all versions of this product may be DLC qualified. Please visit www.slgus.com to confirm which versions are qualified.

MOUNTING & OPTIONS



ALC-SPAR
(Optional Photocell)



ALC-WMB
(Optional Photocell)



ALC-SFD
(Optional Photocell)



ALC-EGS



ALC-T



PC-1



PC-2

Due to continuous product improvements, specification and/or equipment updates may change without notice.

OPTIONS



MS-FSP-212
Dimmable Motion Sensor



MS-FSP-L3/L7
Lens

The **MS-FSP-212** provides multi-level control base on motion and daylight level. Requires L3 or L7 lens depending the mounting height.

Operation Voltage	Shape	Adjustable Time Delay	Fade Down Time	Operating Temperature	Mounting Height For MS-FSP-L3	Mounting Height For MS-FSP-L7
120/277V	Cone	30 sec - 30 min	0-10 sec	-40°F to 158°F	20 ft*	40 ft**

* Covers a 40 ft diameter when mounting height is 20 ft. Coverage is equal to 2x the height.

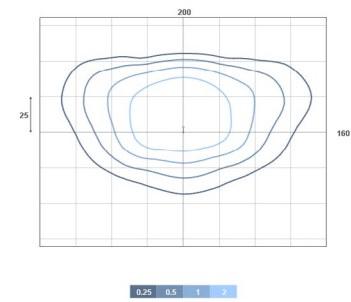
** Covers a 100 ft diameter when mounting height is 40 ft. Coverage is equal to 2.5x the height

PHOTOMETRIC

Type III

Type III optics produce an asymmetrical pattern that directs the majority of the light forward and equally on both sides of the luminaire. In a back-to-back configuration, it creates a rectangular pattern which can extend pole spacings.

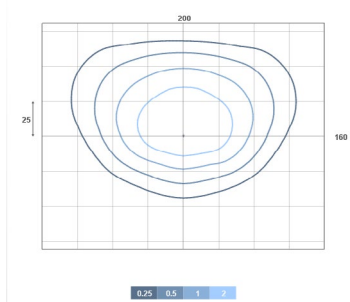
ALCM 210 T3 G1 5K



Type IV

Type IV is suitable for applications where light is primarily required forward with minimal back light. Typical installations include perimeter poles.

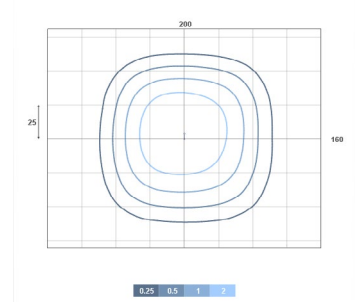
ALCM 210 T4 G1 5K



Type V

Type V optics produce a symmetrical square distribution pattern that distributes light equally on all sides of the luminaire. Type V luminaires is universal for most area lighting applications.

ALCM 210 T5 G1 5K

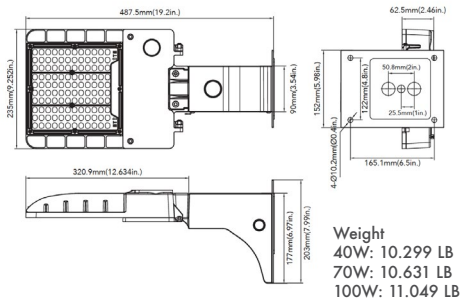


Mounting Height	15	20	25	30	35
Multiplier	2.8	1.6	1.0	0.7	0.5

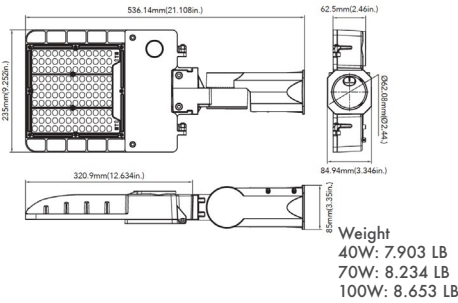
Due to continuous product improvements, specification and/or equipment updates may change without notice.

DIMENSIONS

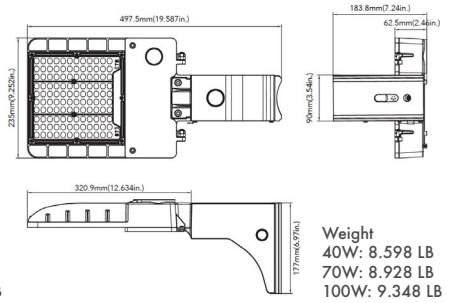
SMALL
40W, 70W, 100W
Wall Mount



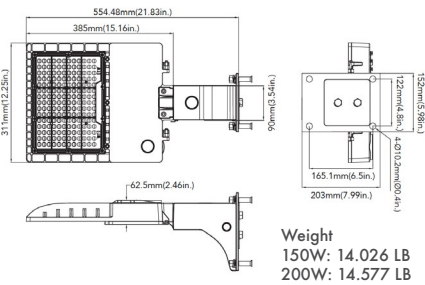
SMALL
40W, 70W, 100W
Slipfitter Mount



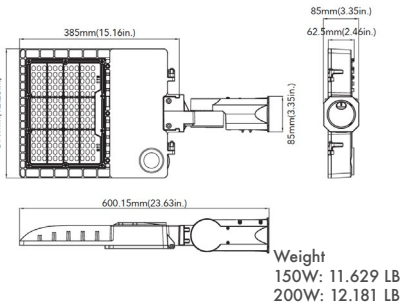
SMALL
40W, 70W, 100W
Pole Mount



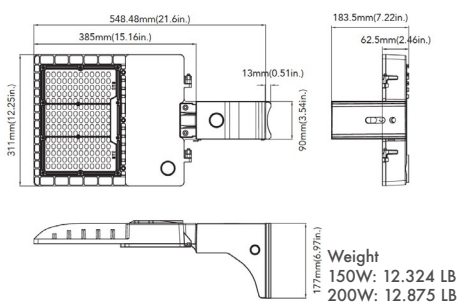
MEDIUM
150W & 200W
Wall Mount



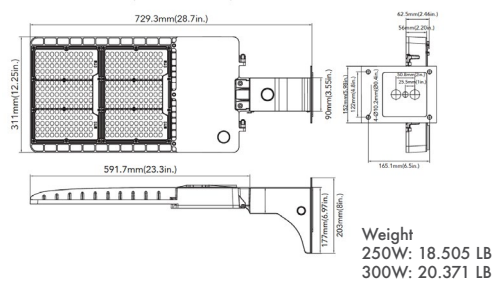
MEDIUM
150W & 200W
Slipfitter Mount



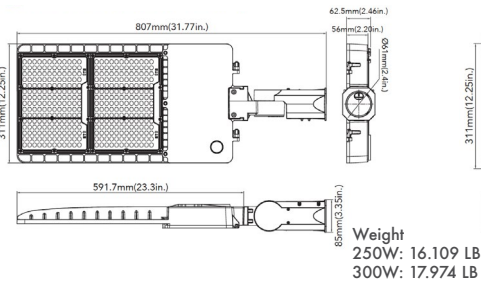
MEDIUM
150W & 200W
Pole Mount



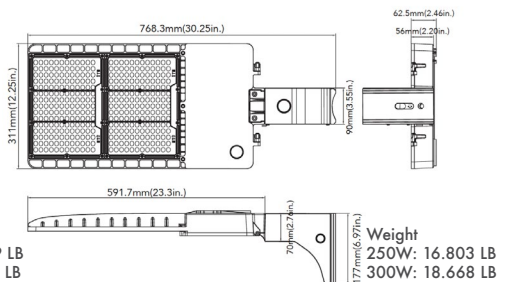
LARGE
250W & 300W
Wall Mount



LARGE
250W & 300W
Slipfitter Mount

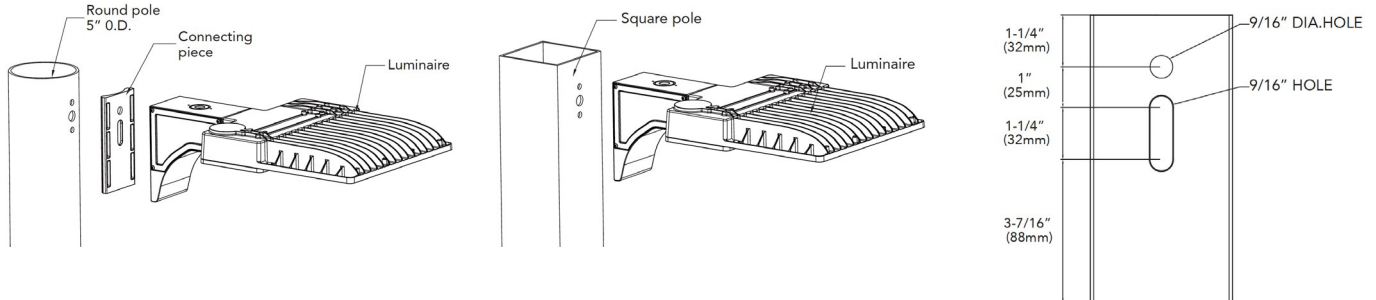


LARGE
250W & 300W
Pole Mount

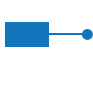


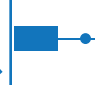





Due to continuous product improvements, specification and/or equipment updates may change without notice.

MOUNTING DIMENSIONS



EPA OF AREA LIGHT

									
S	ALCS 60	40W	0.3413	0.5929	0.7983	0.6826	1.0239	1.0499	1.0239
	ALCS 96	70W							
	ALCS 140	100W							
M	ALCM 210	150W	0.423	0.735	0.873	0.846	1.158	1.185	1.158
	ALCM 260	200W							
L	ALCL 350	250W	0.4759	0.7889	1.0581	0.9518	1.2648	1.3711	1.2648
	ALCL 410	300W							

PERFORMANCE COMPARISON

Product Series	Watt	Lumen	Efficacy	Replaces	Voltage	Max Mounting Height	DLC
ALCS 60 T3 G1 5K	40W	5,500 Lm	137 Lm/W	100W	120-277V	10-15 ft	Premium
ALCS 96 T3 G1 5K	70W	9,500 Lm	136 Lm/W	175W	120-277V	15-20 ft	Premium
ALCS 140 T3 G1 5K	100W	13,400 Lm	134 Lm/W	250W	120-277V	15-20 ft	Premium
ALCM 210 T3 G1 5K	150W	20,100 Lm	134 Lm/W	400W	120-277V	20-30 ft	Premium
ALCM 260 T3 G1 5K	200W	25,000 Lm	125 Lm/W	400W	120-277V	20-30 ft	Premium
ALCL 350 T3 G1 5K	250W	34,000 Lm	136 Lm/W	750W	120-277V	30-50 ft	Premium
ALCL 410 T3 G1 5K	300W	40,200 Lm	134 Lm/W	1000W	120-277V	30-50 ft	Premium

Due to continuous product improvements, specification and/or equipment updates may change without notice.

ELECTRICAL LOAD

			Current (A)					
	Series Number	Wattage	120V	208V	240V	277V	347V	480V
ALCS	ALCS 60 T3 G1 5K	40W	0.33	0.19	0.16	0.14	0.12	0.08
	ALCS 96 T3 G1 5K	70W	0.58	0.34	0.30	0.25	0.20	0.15
	ALCS 140 T3 G1 5K	100W	0.83	0.48	0.41	0.36	0.29	0.21
ALCM	ALCM 210 T3 G1 5K	150W	1.25	0.72	0.63	0.54	0.43	0.31
	ALCM 260 T3 G1 5K	200W	1.66	0.96	0.83	0.72	0.58	0.42
ALCL	ALCL 350 T3 G1 5K	250W	2.08	1.20	1.04	0.90	0.72	0.52
	ALCL 410 T3 G1 5K	300W	2.50	1.44	1.25	1.08	0.87	0.62

PROJECTED LUMINAIRE MAINTENANCE

OPERATING HOURS					
Ambient Temperature	0	25,000	50,000	100,000	Calculated L70 (Hours)
25°C / 77°F	1	0.95	0.91	0.81	>214,973

Lumen Ambient Temperature (LAT) Multipliers

Ambient		Lumen Multiplier
0°C	32°F	1.02
10°C	50°F	1.01
20°C	68°F	1.00
25°C	77°F	1.00
30°C	86°F	0.98
40°C	104°F	0.98

Due to continuous product improvements, specification and/or equipment updates may change without notice.

Series Number	Wattage	Lumen (Lm)	Distribution Type	B	U	G
ALCS 60 T3 G1 4K	40W	5,470	Type III	1	0	1
ALCS 60 T4 G1 4K		5,417	Type IV	1	0	1
ALCS 60 T5 G1 4K		5,600	Type V	3	0	1
ALCS 96 T3 G1 4K	70W	9,500	Type III	2	0	2
ALCS 96 T4 G1 4K		9,310	Type IV	2	0	2
ALCS 96 T5 G1 4K		9,730	Type V	3	0	1
ALCS 140 T3 G1 4K	100W	13,500	Type III	2	0	2
ALCS 140 T4 G1 4K		13,200	Type IV	2	0	2
ALCS 140 T5 G1 4K		13,800	Type V	3	0	2
ALCM 210 T3 G1 4K	150W	20,500	Type III	3	0	3
ALCM 210 T4 G1 4K		19,800	Type IV	3	0	3
ALCM 210 T5 G1 4K		20,500	Type V	4	0	2
ALCM 260 T3 G1 4K	200W	25,150	Type III	3	0	3
ALCM 260 T4 G1 4K		24,633	Type IV	3	0	3
ALCM 260 T5 G1 4K		25,500	Type V	4	0	2
ALCL 350 T3 G1 4K	250W	34,000	Type III	4	0	4
ALCL 350 T4 G1 4K		33,250	Type IV	4	0	4
ALCL 350 T5 G1 4K		34,750	Type V	5	0	3
ALCL 410 T3 G1 4K	300W	40,033	Type III	4	0	4
ALCL 410 T4 G1 4K		39,600	Type IV	4	0	4
ALCL 410 T5 G1 4K		40,500	Type V	5	0	3

Due to continuous product improvements, specification and/or equipment updates may change without notice.

Series Number	Wattage	Lumen (Lm)	Distribution Type	B	U	G
ALCS 60 T3 G1 5K	40W	5,500	Type III	1	0	1
ALCS 60 T4 G1 5K		5,400	Type IV	1	0	1
ALCS 60 T5 G1 5K		5,720	Type V	3	0	1
ALCS 96 T3 G1 5K	70W	9,600	Type III	2	0	2
ALCS 96 T4 G1 5K		9,450	Type IV	2	0	2
ALCS 96 T5 G1 5K		9,800	Type V	3	0	1
ALCS 140 T3 G1 5K	100W	13,800	Type III	2	0	2
ALCS 140 T4 G1 5K		13,300	Type IV	2	0	2
ALCS 140 T5 G1 5K		13,900	Type V	3	0	2
ALCM 210 T3 G1 5K	150W	20,800	Type III	3	0	3
ALCM 210 T4 G1 5K		20,000	Type IV	3	0	3
ALCM 210 T5 G1 5K		20,800	Type V	4	0	2
ALCM 260 T3 G1 5K	200W	25,765	Type III	3	0	3
ALCM 260 T4 G1 5K		24,800	Type IV	3	0	3
ALCM 260 T5 G1 5K		26,000	Type V	4	0	2
ALCL 350 T3 G1 5K	250W	34,500	Type III	4	0	4
ALCL 350 T4 G1 5K		33,750	Type IV	4	0	4
ALCL 350 T5 G1 5K		35,250	Type V	5	0	3
ALCL 410 T3 G1 5K	300W	41,000	Type III	4	0	4
ALCL 410 T4 G1 5K		40,031	Type IV	4	0	4
ALCL 410 T5 G1 5K		41,000	Type V	5	0	3

Due to continuous product improvements, specification and/or equipment updates may change without notice.