

Series 910 L - 10" Round

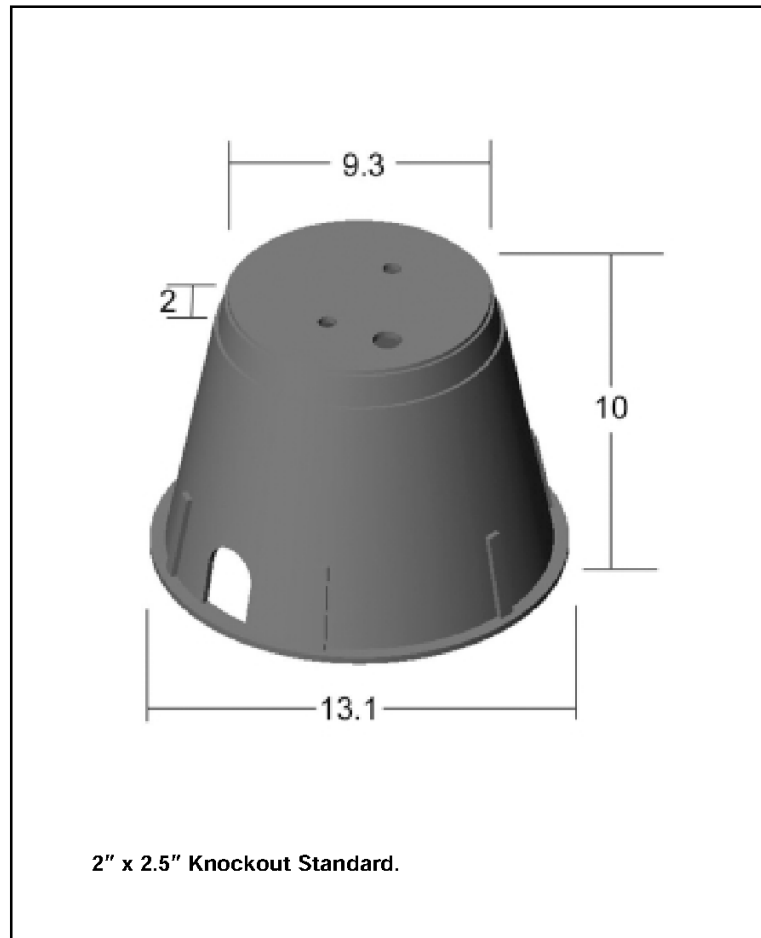
PRODUCT FEATURES

- Lightweight.
 - Security lock.
 - Stronger load strength.
 - U.V. stable for longer field life.
 - Available in three standard colors: green, gray, black.
 - Stainless steel hardware hex head or penta head bolt.
 - Box and lid shipped fully assembled.
- Special color & cover markings available.

STOCK COVER IDENTIFICATIONS

- Irrigation control valve (ICV)
- Water (solid or meter door)
- Electric (green or gray)
- Reclaimed water (green or lavender)
- Blank (no cover marking)
- Sewer
- CATV
- Electric
- Street lighting

When ordering, please specify color, cover identification, and bolt down type. For use in non-vehicle traffic areas. Not recommended for installation in concrete or asphalt without felt expansion joint.



10" ROUND • 9 per sleeve • 90 per pallet

Catalog Number	Description	Color	Weight
910L-1G2G	Body & Cover	Green Body with Green Cover	4.35 Lbs.
910L-1G	Body Only	Green	3.00 Lbs.
910L-2G	Cover Only	Green	1.35 Lbs.