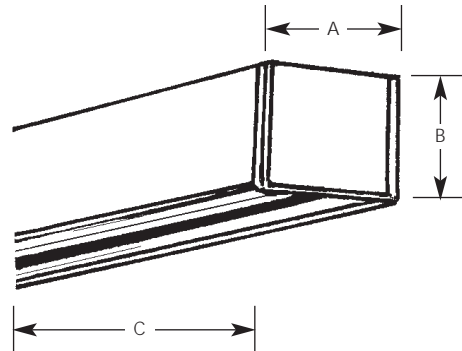


Type

	-09	-10	-28	-31
P9103	<input type="checkbox"/>		<input type="checkbox"/>	<input type="checkbox"/>
P9104	<input type="checkbox"/>	<input type="checkbox"/>	<input type="checkbox"/>	<input type="checkbox"/>
P9105	<input type="checkbox"/>	<input type="checkbox"/>	<input type="checkbox"/>	<input type="checkbox"/>
P9106	<input type="checkbox"/>		<input type="checkbox"/>	<input type="checkbox"/>

Finish

Catalog No.	Finish				Dimensions (Inches)		
	Brushed Nickel	Polished Brass	White	Black	A	B	C
P9103	-09	N/A	-28	-31	1-1/8	7/8	24
P9104	-09	-10	-28	-31	1-1/8	7/8	48
P9105	-09	-10	-28	-31	1-1/8	7/8	96
P9106	-09	N/A	-28	-31	1-1/8	7/8	144



**Specifications:**

Mechanical

- Minimum .050" extruded aluminum housing
- Polarity notch for rows and fitters
- Keyholes and round KO's on top of track for mounting
- Mounting screws and toggle bolts included
- One dead end included
- Can be field cut to desired lengths
- See catalog for available accessories
- Order power feed separately

Electrical

- Single circuit
- 120 volt, 20 ampere capacity
- Flat copper buss bars
- Buss bars enclosed in a non-conducting plastic extrusion

Labeling

- UL-CUL dry location listed