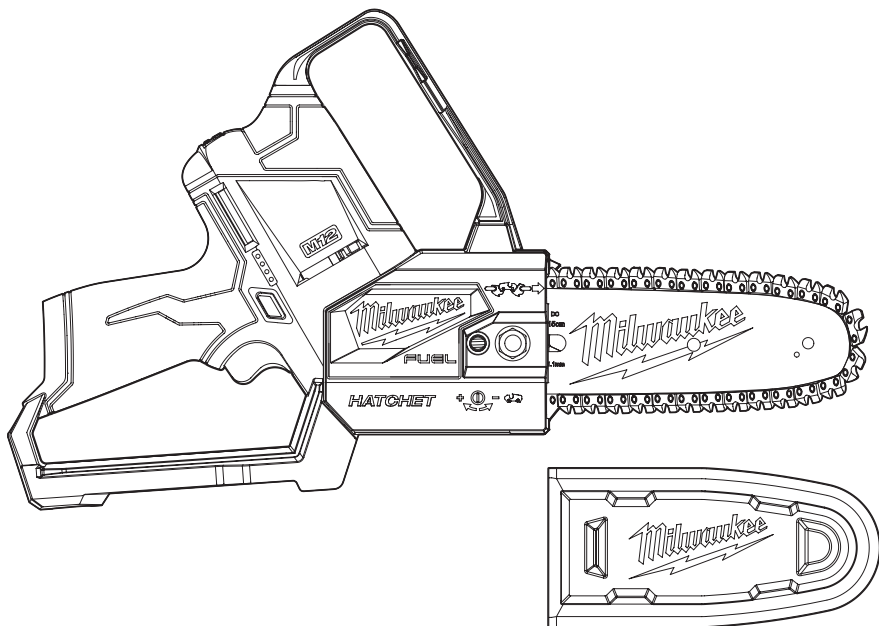




OPERATOR'S MANUAL  
MANUEL de L'UTILISATEUR  
MANUAL del OPERADOR



Cat. No. / No de cat.  
**2527-20**

**M12 FUEL™ HATCHET™ 6" PRUNING SAW**  
**SCIE D'ÉLAGAGE DE 152 mm (6") HATCHET™ DE M12 FUEL™**  
**SIERRA PODADORA DE 152 mm (6") HATCHET™ DE M12 FUEL™**



**WARNING** To reduce the risk of injury, user must read and understand operator's manual.

**AVERTISSEMENT** Afin de réduire le risque de blessures, l'utilisateur doit lire et bien comprendre le manuel.

**ADVERTENCIA** Para reducir el riesgo de lesiones, el usuario debe leer y entender el manual.

## GENERAL POWER TOOL SAFETY WARNINGS

**WARNING** Read all safety warnings, instructions, illustrations and specifications provided with this power tool. Failure to follow all instructions listed below may result in electric shock, fire and/or serious injury. Save all warnings and instructions for future reference. The term "power tool" in the warnings refers to your mains-operated (corded) power tool or battery-operated (cordless) power tool.

### WORK AREA SAFETY

- **Keep work area clean and well lit.** Cluttered or dark areas invite accidents.
- **Do not operate power tools in explosive atmospheres, such as in the presence of flammable liquids, gases or dust.** Power tools create sparks which may ignite the dust or fumes.
- **Keep children and bystanders away while operating a power tool.** Distractions can cause you to lose control.

### ELECTRICAL SAFETY

- **Power tool plugs must match the outlet. Never modify the plug in any way. Do not use any adapter plugs with earthed (grounded) power tools.** Unmodified plugs and matching outlets will reduce risk of electric shock.
- **Avoid body contact with earthed or grounded surfaces, such as pipes, radiators, ranges and refrigerators.** There is an increased risk of electric shock if your body is earthed or grounded.
- **Do not expose power tools to rain or wet conditions.** Water entering a power tool will increase the risk of electric shock.
- **Do not abuse the cord. Never use the cord for carrying, pulling or unplugging the power tool. Keep cord away from heat, oil, sharp edges or moving parts.** Damaged or entangled cords increase the risk of electric shock.
- **When operating a power tool outdoors, use an extension cord suitable for outdoor use.** Use of a cord suitable for outdoor use reduces the risk of electric shock.
- **If operating a power tool in a damp location is unavoidable, use a ground fault circuit interrupter (GFCI) protected supply.** Use of an GFCI reduces the risk of electric shock.

### PERSONAL SAFETY

- **Stay alert, watch what you are doing and use common sense when operating a power tool. Do not use a power tool while you are tired or under the influence of drugs, alcohol or medication.** A moment of inattention while operating power tools may result in serious personal injury.
- **Use personal protective equipment. Always wear eye protection.** Protective equipment such as a dust mask, non-skid safety shoes, hard hat or hearing protection used for appropriate conditions will reduce personal injuries.
- **Prevent unintentional starting. Ensure the switch is in the off-position before connecting to power source and/or battery pack, picking up or carrying the tool. Carrying power tools with your finger on the switch or energizing power tools that have the switch on invites accidents.**
- **Remove any adjusting key or wrench before turning the power tool on.** A wrench or a key left attached to a rotating part of the power tool may result in personal injury.

- **Do not overreach. Keep proper footing and balance at all times.** This enables better control of the power tool in unexpected situations.
- **Dress properly. Do not wear loose clothing or jewelry. Keep your hair and clothing away from moving parts.** Loose clothes, jewelry or long hair can be caught in moving parts.
- **If devices are provided for the connection of dust extraction and collection facilities, ensure these are connected and properly used.** Use of dust collection can reduce dust-related hazards.
- **Do not let familiarity gained from frequent use of tools allow you to become complacent and ignore tool safety principles.** A careless action can cause severe injury within a fraction of a second.

### POWER TOOL USE AND CARE

- **Do not force the power tool. Use the correct power tool for your application.** The correct power tool will do the job better and safer at the rate for which it was designed.
- **Do not use the power tool if the switch does not turn it on and off.** Any power tool that cannot be controlled with the switch is dangerous and must be repaired.
- **Disconnect the plug from the power source and/or remove the battery pack, if detachable, from the power tool before making any adjustments, changing accessories, or storing power tools.** Such preventive safety measures reduce the risk of starting the power tool accidentally.
- **Store idle power tools out of the reach of children and do not allow persons unfamiliar with the power tool or these instructions to operate the power tool.** Power tools are dangerous in the hands of untrained users.
- **Maintain power tools and accessories. Check for misalignment or binding of moving parts, breakage of parts and any other condition that may affect the power tool's operation. If damaged, have the power tool repaired before use.** Many accidents are caused by poorly maintained power tools.
- **Keep cutting tools sharp and clean.** Properly maintained cutting tools with sharp cutting edges are less likely to bind and are easier to control.
- **Use the power tool, accessories and tool bits etc. in accordance with these instructions, taking into account the working conditions and the work to be performed.** Use of the power tool for operations different from those intended could result in a hazardous situation.
- **Keep handles and grasping surfaces dry, clean and free from oil and grease.** Slippery handles and grasping surfaces do not allow for safe handling and control of the tool in unexpected situations.

### BATTERY TOOL USE AND CARE

- **Recharge only with the charger specified by the manufacturer.** A charger that is suitable for one type of battery pack may create a risk of fire when used with another battery pack.
- **Use power tools only with specifically designated battery packs.** Use of any other battery packs may create a risk of injury and fire.
- **When battery pack is not in use, keep it away from other metal objects, like paper clips, coins, keys, nails, screws or other small metal objects, that can make a connection from one terminal to another.** Shorting the battery terminals together may cause burns or a fire.
- **Under abusive conditions, liquid may be ejected from the battery; avoid contact. If contact accidentally occurs, flush with water. If liquid contacts**

- eyes, additionally seek medical help.** Liquid ejected from the battery may cause irritation or burns.
- **Do not use a battery pack or tool that is damaged or modified.** Damaged or modified batteries may exhibit unpredictable behavior resulting in fire, explosion or risk of injury.
- **Do not expose a battery pack or tool to fire or excessive temperature.** Exposure to fire or temperature above 265°F (130°C) may cause explosion.
- **Follow all charging instructions and do not charge the battery pack or tool outside the temperature range specified in the instructions.** Charging improperly or at temperatures outside the specified range may damage the battery and increase the risk of fire.

### SERVICE

- **Have your power tool serviced by a qualified repair person using only identical replacement parts.** This will ensure that the safety of the power tool is maintained.
- **Never service damaged battery packs.** Service of battery packs should only be performed by the manufacturer or authorized service providers.

### SPECIFIC SAFETY RULES FOR HATCHET PRUNING SAW

General pruning saw safety warnings:

- **Keep all parts of the body away from the saw chain when the pruning saw is operating. Before you start the pruning saw, make sure the saw chain is not contacting anything.** A moment of inattention while operating pruning saws may cause entanglement of your clothing or body with the saw chain.
- **Hold the pruning saw with your right hand on the trigger handle and your left hand on the body grip.** Holding the pruning saw with a reversed hand configuration increases the risk of personal injury.
- **Hold the pruning saw by insulated gripping surfaces only, because the saw chain may contact hidden wiring.** Saw chains contacting a "live" wire may make exposed metal parts of the pruning saw "live" and could give the operator an electric shock.
- **Wear eye protection. Further protective equipment for hearing, head, hands, legs and feet is recommended.** Adequate protective equipment will reduce personal injury from flying debris or accidental contact with the saw chain.
- **Always keep proper footing and operate the pruning saw only when standing on fixed, secure and level surface.** Slippery or unstable surfaces may cause a loss of balance or control of the pruning saw.
- **Do not operate a pruning saw in a tree, on a ladder, rooftop, or scaffold unless properly trained.** To avoid death or serious injury, operator must be trained in safe climbing techniques and in the use of all appropriate safety equipment.
- **When cutting a limb that is under tension be alert for spring back.** When the tension in the wood fibres is released the spring loaded limb may strike the operator and/or throw the pruning saw out of control.
- **Use extreme caution when cutting brush and saplings.** The slender material may catch the saw chain and be whipped toward you or pull you off balance.
- **Carry the pruning saw away from your body and with your finger off of the trigger. When transporting or storing the pruning saw always fit the scabbard.** Proper handling of the pruning saw will reduce the likelihood of accidental contact with the moving saw chain.
- **Follow instructions for lubricating, chain tensioning and changing the bar and chain.** Improperly

tensioned or lubricated chain may either break or increase the chance for kickback.

- **Cut wood only. Do not use pruning saw for purposes not intended. For example: do not use pruning saw for cutting metal, plastic, masonry or non-wood building materials.** Use of the pruning saw for operations different than intended could result in a hazardous situation.
- **Do not attempt to fell a tree until you have an understanding of the risks and how to avoid them.** Serious injury could occur to the operator or bystanders while felling a tree.

**Causes and operator prevention of kickback:**

Kickback may occur when the nose or tip of the guide bar touches an object, or when the wood closes in and pinches the saw chain in the cut.

Tip contact in some cases may cause a sudden reverse reaction, kicking the guide bar up and back towards the operator.

Pinching the saw chain along the top of the guide bar may push the guide bar rapidly back towards the operator. Either of these reactions may cause you to lose control of the saw which could result in serious personal injury. Do not rely exclusively upon the safety devices built into your saw. As a pruning saw user, you should take several steps to keep your cutting jobs free from accident or injury.

Kickback is the result of pruning saw misuse and/or incorrect operating procedures or conditions and can be avoided by taking proper precautions as given below:

- **Maintain a firm grip on the pruning saw and position your body and arm(s) to allow you to resist kickback forces.** Kickback forces can be controlled by the operator, if proper precautions are taken. Do not let go of the pruning saw.
  - **Do not overreach and do not cut above shoulder height.** This helps prevent unintended tip contact and enables better control of the pruning saw in unexpected situations.
  - **Make sure that the area in which you are cutting is free from obstructions.** Do not let the nose of the guide bar contact a log, branch, fence, or any other obstruction that could be hit while you are operating the saw.
  - **Always cut with the unit running at full speed. Fully squeeze the throttle trigger and maintain a steady cutting speed.**
  - **Only use replacement guide bars and saw chains specified by the manufacturer.** Incorrect replacement guide bars and saw chains may cause chain breakage and/or kickback.
  - **Follow the manufacturer's sharpening and maintenance instructions for the saw chain.** Decreasing the depth gauge height can lead to increased kickback.
  - **Follow all instructions when clearing jammed material, storing or servicing the pruning saw. Make sure the switch is off and the battery pack is removed.** Unexpected actuation of the pruning saw while clearing jammed material or servicing may result in serious personal injury.
- #### Other Pruning Saw Safety Rules
- **Do not start cutting until you have a clear work area, secure footing, and a planned retreat path from the falling workpiece.** Cluttered areas invite accidents.
  - **Keep ALL children, bystanders, visitors, and animals out of the work area while starting or cutting with the pruning saw.**

- **Dress Properly - Wear snug fitting clothing.** Always wear heavy, long pants, long sleeves, overalls, jeans or chaps made of cut resistant material or ones that contain cut resistant inserts. Wear non-slip safety footwear. Wear non-slip heavy duty gloves to improve your grip and to protect your hands. Do not wear jewelry, short pants, sandals, or go barefoot. Do not wear loose fitting clothing, which could be drawn into the motor or catch the chain or underbrush. Secure hair so it is above shoulder level.
- **Heavy protective clothing may increase operator fatigue, which could lead to heat stroke.** During weather that is hot and humid, heavy work should be scheduled for early morning or late afternoon hours when temperatures are cooler.
- **Always wear proper eye protection with side shields, marked to comply with ANSI Z87.1 when operating the pruning saw.**
- **Always be aware of what you are doing when using the pruning saw. Use common sense.** Do not operate the pruning saw when you are tired, ill, or under the influence of alcohol, drugs, or medication.
- **Keep all parts of your body away from the saw chain when the unit is running.**
- **Never let anyone use your pruning saw who has not received adequate instructions in its proper use.** This applies to rentals as well as privately owned saws.
- **Before you start the unit, make sure the saw chain is not contacting any object.**
- **Stop the pruning saw before setting it down.**
- **Maintain the unit with care.** Keep the cutting edge sharp and clean for best performance and to reduce the risk of injury. Follow instructions for lubricating and changing accessories.
- **Maintain a firm grip on the recommended grasping surfaces.** If an operation cannot be performed safely with two hands on the saw, USE EXTREME CAUTION.
- **During operations where it is necessary to use one hand, such as to steady or control the work-piece/branch, guide workpiece away from you, or provide better visibility to the work area:**
  - Keep free hand clear of the chain and out of the cutting path.
  - Maintain a firm grip on the branch being cut to avoid "skating" or "bouncing" of the saw.
  - Never cut above shoulder height.
  - Do not cross arms or overreach.
  - Always cut away from yourself.
  - Avoid excess flexing or tension on the branch being cut.
- **Do not operate a pruning saw that is damaged, improperly adjusted, or not completely and securely assembled.** Chain should slow to a stop when the switch trigger is released. If the chain continues to turn after the switch trigger has been released, have the unit serviced by an authorized service center.
- **Do not force the pruning saw.** The job can be performed better and safer at the rate for which it was intended.
- **Always use the right product for your application.** The pruning saw should be used for cutting wood only. Never use the pruning saw to cut plastic, masonry or non-wood building materials.
- **Use extreme caution when cutting thin branches, vines or small underbrush.** The slender material may catch the saw chain and be whipped toward you or pull you off balance. We recommend using hedge trimmers or brush cutters for these operations.

- **Store pruning saw when not in use.** Pruning saw should be stored in a dry and high or locked area out of the reach of children. When storing pruning saw place the cover on the bar and chain.
- **Battery operated units do not have to be plugged into an electrical outlet; therefore, they are always in operating condition.** Be aware of possible hazards even when unit is not operating.
- **Save these instructions.** Refer to them frequently and use them to instruct others who may use this product. If you loan someone this product, loan them these instructions also.
- **After each use, clean the machine with a soft dry cloth. Remove any chips, dirt and debris in the battery bay.**
- **Follow the manufacturer's sharpening and maintenance instructions for the saw chain.** Decreasing the depth gauge height can lead to increased kickback.
- **Keep handles dry, clean, and free from oil and grease.** Greasy, oily handles are slippery causing loss of control.
- **Always use common sense and be cautious when using tools.** It is not possible to anticipate every situation that could result in a dangerous outcome. Do not use this tool if you do not understand these operating instructions or you feel the work is beyond your capability; contact Milwaukee Tool or a trained professional for additional information or training.
- **Maintain labels and nameplates.** These carry important information. If unreadable or missing, contact a MILWAUKEE service facility for a free replacement.
- **WARNING** Some dust created by power sanding, sawing, grinding, drilling, and other construction activities contains chemicals known to cause cancer, birth defects or other reproductive harm. Some examples of these chemicals are:
  - lead from lead-based paint
  - crystalline silica from bricks and cement and other masonry products, and
  - arsenic and chromium from chemically-treated lumber.
 Your risk from these exposures varies, depending on how often you do this type of work. To reduce your exposure to these chemicals: work in a well ventilated area, and work with approved safety equipment, such as those dust masks that are specially designed to filter out microscopic particles.

### SPECIFICATIONS

Cat. No. ....	2527-20
Volts.....	12 DC
Battery Type .....	M12™
Charger Type.....	M12™
RPM.....	2,650
Chain Speed.....	984 ft/min
Bar Length.....	6"
Cutting Capacity .....	5.5"
Chain Oil Tank Capacity .....	1.7 oz
Replacement Bar.....	49-16-2733
Chain Gauge .....	0.043"
Replacement Chain .....	49-16-2732
Chain Type .....	Low kickback
Chain Pitch .....	3/8" Low profile
Chain Teeth .....	28
Recommended Ambient Operating Temperature.....	0°F to 125°F

### SYMBOLGY

**V** Volts  
**---** Direct Current  
 n<sub>0</sub> XXXX min<sup>-1</sup> No Load Revolutions per Minute (RPM)

Read operator's manual

Always wear eye protection and use proper personal protective equipment.

Wear non-slip safety footwear

Wear protective gloves

Keep bystanders at least 50' away during use.

Do not expose to rain or use in damp locations.

Use EXTREME CAUTION during one-handed operations.

Use pruning saw two-handed

Avoid contact with bar tip

**⚠ DANGER** Beware of kickback.

Chain Oil Reservoir

Chain Direction

Chain Tension Adjustment

UL Listing for Canada and U.S.

### FUNCTIONAL DESCRIPTION

1. Trigger handle
2. Variable speed trigger
3. Lock-off button
4. Fuel battery indicator
5. Body grip
6. Knuckle guard
7. Chain cover
8. Saw chain
9. Guide bar
10. Scabbard
11. Chain tensioning screw
12. Guide bar nut
13. Oil cap
14. Oil reservoir

### ASSEMBLY

**⚠ WARNING** Recharge only with the charger specified for the battery. For specific charging instructions, read the operator's manual supplied with your charger and battery.

**Removing/Inserting the Battery**  
 To **remove** the battery, push in the release buttons and pull the battery pack away from the tool.

**⚠ WARNING** Always remove battery pack before changing or removing accessories.

To **insert** the battery, slide the pack into the body of the tool. Make sure it latches securely into place.

**⚠ WARNING** Only use accessories specifically recommended for this tool. Others may be hazardous.

**Replacing/Adjusting the Saw Chain and Bar**

**⚠ WARNING** Always remove battery pack before changing or removing accessories.

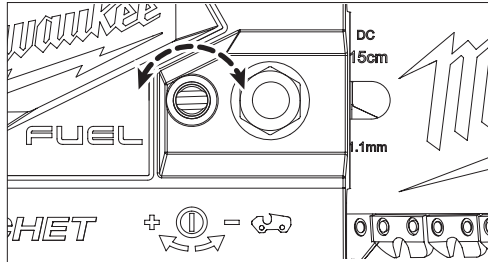
**⚠ CAUTION** Chain is sharp. Always wear protective gloves when handling the chain.

**Use Low Kickback Saw Chains** - The rakers (depth gauges) ahead of each cutter can minimize the force of a kickback reaction by preventing the cutters from digging in too deeply at the kickback zone. Only use replacement chain that is equivalent to original chain or has been certified as low kickback chain per ANSI B175.1.

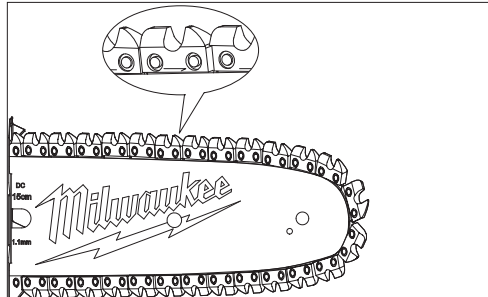


As saw chains are sharpened during their useful life, they lose some of the low kickback qualities and extra caution should be used.

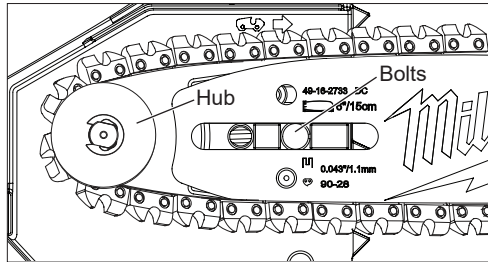
1. Remove the battery pack.
2. Place the saw on a flat, firm surface.
3. Remove the drive cover by removing the guide bar nuts using the adjustment tool.



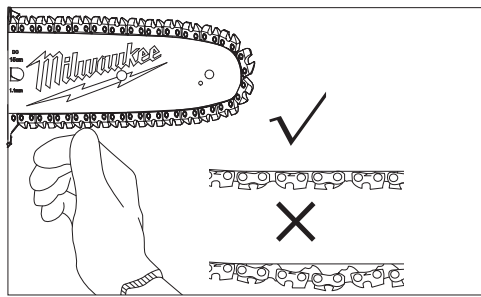
4. Loosen the chain by turning the chain tensioning screw counterclockwise with the adjustment tool.
5. Pull the guide bar off of the guide bar bolts and unloop the chain from the drive hub. **CAUTION!** Saw Chain is sharp.
6. Remove the chain from the guide bar groove. **CAUTION!** Saw Chain is sharp. Inspect guide bar for cracks or wear; replace if damaged.
7. Wrap the new or sharpened chain around the guide bar in the direction indicated on the saw.



8. Ensure the chain is properly set in the slot around the entire guide bar.
9. Loop the chain around the hub and fit the bar around the bolts.



10. Replace the drive cover.
11. Use the adjustment tool to rotate the chain tensioning screw to increase tension (clockwise) until the chain is snug around the guide bar.
  - The tension is correct when the chain snaps back after being pulled 1/8" (3 mm) away from the guide bar. No sag should be visible in the chain.



- Do not over-tension the chain - excess tension will cause excessive wear and will reduce the life of the chain and could damage the bar.
- New chains could stretch and loosen during initial use. **NOTE:** Remove battery pack and check chain tension frequently during the first two hours of use.

12. Tighten the guide bar nuts securely.

### Chain Oil

**AWARNING** Always remove battery pack before changing or removing accessories.

**ANOTICE** Fill oil reservoir with chain oil (not provided) before starting the pruning saw and when tank is less than 1/4 full. Failure to oil the chain will cause damage to the bar and chain.

Check oil level frequently and fill the oil reservoir after each full battery discharge. Use a high quality chain oil. The oil will keep the saw chain and guide bar properly lubricated. Never run the saw without chain oil. Keep the reservoir more than 1/4 full to ensure sufficient oil is available for the job. Always lightly oil the chain when storing to prevent rust. Always empty the oil tank when storing to prevent leakage.

**NOTE:** It is recommended to use a vegetable based chain oil when pruning trees. Mineral oil may harm trees. Never use waste oil, automotive oil, or very thick oils. These could damage the pruning saw.

### Filling the Oil Reservoir

1. Remove the battery pack.
2. Place the saw on a flat, firm surface, blade side down.
3. Unscrew the oil cap.
4. Carefully fill reservoir with chain oil.
5. Tighten oil cap securely.
6. Repeat as needed during use.
7. Periodically check that the saw chain is lubricating correctly:
  - With a full reservoir, hold the pruning saw with the tip of the guide bar pointing at a light-colored surface
  - Run the pruning saw for approximately 30 seconds.
  - An oil line should become visible on the light surface.
  - If not, remove and clean the guide bar thoroughly. Ensure the guide bar sprocket (at the tip) rotates freely.
  - If the lubrication system still does not work properly, contact a MILWAUKEE service facility.

### Transporting Saw

Before transporting, always:

1. Remove the battery pack
2. Place the cover over the guide bar.

## OPERATION

**AWARNING** To reduce the risk of injury, always wear proper eye protection marked to comply with ANSI Z87.1.

When working in dusty situations, wear appropriate respiratory protection or use an OSHA compliant dust extraction solution.

**ADANGER** Never cut near power lines, electric cords, or other electric sources. If bar and chain jams on any electrical cord or line, **DO NOT TOUCH THE BAR OR CHAIN! THEY CAN BECOME ELECTRICALLY LIVE AND VERY DANGEROUS.** Continue to hold the pruning saw by the insulated grasping surfaces or lay it down and away from you in a safe manner. Disconnect the electrical service to the damaged line or cord before attempting to free the bar and chain from the line or cord. Contact with the bar, chain, other conductive parts of the pruning saw, or live electric cords or lines will result in death by electrocution, electric shock, or serious personal injury.

**AWARNING** Read and understand all instructions. Failure to follow all instructions listed below may result in electric shock, fire and/or serious personal injury.

•Guard Against Kickback which can result in severe injury or death. See Important Safety Instructions "Guard Against Kickback", to avoid the risk of kickback.

•Always wear proper eye protection with side shields, marked to comply with ANSI Z87.1 when operating the pruning saw. Failure to do so could result in objects being thrown into your eyes and other possible serious injuries.

•Do not overreach. Do not cut above shoulder height. Make sure your footing is firm. Keep feet apart. Divide your weight evenly on both feet.

•Always keep proper footing and operate the pruning saw only when standing on fixed, secure and level surface. Slippery or unstable surfaces may cause a loss of balance or control of the pruning saw.

•Do not operate a pruning saw in a tree, on a ladder, rooftop, or scaffold unless properly trained. To avoid death or serious injury, operator must be trained in safe climbing techniques and in the use of all appropriate safety equipment.

•Do not allow familiarity with this product to make you careless. Remember that a careless fraction of a second is sufficient to inflict serious injury.

•Hold the pruning saw with your right hand on the trigger handle and your left hand on the body grip. Holding the pruning saw with a reversed hand configuration increases the risk of personal injury.

•During operations where it is necessary to use one hand, such as to steady or control the workpiece/branch, guide workpiece away from you, or provide better visibility to the work area:

- Keep free hand clear of the chain and out of the cutting path.
- Maintain a firm grip on the branch being cut to avoid "skating" or "bouncing" of the saw.
- Never cut above shoulder height.
- Do not cross arms or overreach.
- Always cut away from yourself.
- Avoid excess flexing or tension on the branch being cut.

•Never allow any part of your body to be in line with the guide bar when operating the pruning saw.

•Never operate while in any awkward position or on an other unstable surface. You may lose control of saw causing severe injury.

•Making a cut that has a diameter greater than the saw's cutting capacity requires advanced techniques and should only be performed by properly trained professionals. Performing these types of cuts can cause an accident and result in death or serious personal injury.

•Keep the pruning saw running at full speed the entire time you are cutting.

•Allow the chain to cut for you. Exert only light pressure. Do not put pressure on pruning saw at end of cut.

•Do not use any attachments or accessories not recommended by the manufacturer. The use of attachments or accessories not recommended can result in serious personal injury.

### Fuel Gauge

To determine the amount of charge left in the battery, turn the tool ON. The Fuel Gauge will light up for 2-3 seconds. When less than 10% of charge is left, 1 light on the fuel gauge will flash 4 times.

To signal the end of charge, 1 light on the fuel gauge will flash 8 times and the tool will not run. Charge the battery pack.

If the battery becomes too hot, the fuel gauge lights will flash in an alternating pattern and the tool will not run. Allow the battery to cool down.

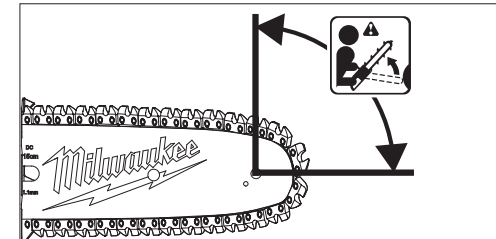
### Kickback

**AWARNING** Kickback may occur when the nose or tip of the guide bar touches an object, or when the wood closes in and pinches the saw chain in the cut.

Tip contact in some cases may cause a sudden reverse reaction, kicking the guide bar up and back towards the operator.

Pinching the saw chain along the top of the guide bar may push the guide bar rapidly back towards the operator.

Either of these reactions may cause you to lose control of the saw which could result in serious personal injury. Do not rely exclusively upon the safety devices built into your saw. As a pruning saw user, you should take several steps to keep your cutting jobs free from accident or injury.





With a basic understanding of kickback, you can reduce or eliminate the element of surprise. Sudden surprise contributes to accidents.

•Keep proper footing and balance at all times.



Maintain a firm grip on the pruning saw and position your body and arm(s) to allow you to resist kickback forces. Kickback forces can be controlled by the operator, if proper precautions are taken. Do not let go of the pruning saw.

•Do not overreach and do not cut above shoulder height. This helps prevent unintended tip contact and enables better control of the pruning saw in unexpected situations.

•Make sure that the area in which you are cutting is free from obstructions. Do not let the nose of the guide bar contact a log, branch, fence, or any other obstruction that could be hit while you are operating the saw.

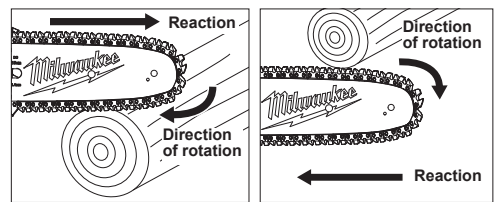
•Always cut with the unit running at full speed. Fully squeeze the throttle trigger and maintain a steady cutting speed.

•Only use replacement guide bars and saw chains specified by the manufacturer. Incorrect replacement guide bars and saw chains may cause chain breakage and/or kickback.

•Follow the manufacturer's sharpening and maintenance instructions for the saw chain. Decreasing the depth gauge height can lead to increased kickback.

•Follow all instructions when clearing jammed material, storing or servicing the pruning saw. Make sure the switch is off and the battery pack is removed. Unexpected actuation of the pruning saw while clearing jammed material or servicing may result in serious personal injury.

•Push and Pull - This reaction force is always opposite to the direction the chain is moving where wood contact is made. Thus, the operator must be ready to control the PULL when cutting on the bottom edge of the bar, and PUSH when cutting along the top edge.



### Turning the Tool On / Off

**WARNING** Hold the pruning saw with your right hand on the trigger handle and your left hand on the body grip. Position your body and arm(s) to allow you to resist kickback forces. A firm grip together with a stiff left arm will help you maintain control of the saw if kickback occurs. Keep body to the left of the chain line. Never straddle the saw or chain, or lean over past the chain line.



Wear non-slip gloves for maximum grip and protection.

1. Insert the battery pack.
2. Grip both handles securely, keeping body out of line with the chain.

3. Press in the lock-off button and pull the trigger.
4. Allow pruning saw to come to full speed before contacting workpiece.
5. To stop, release the trigger. Hold saw still until chain comes to a complete stop.

**WARNING** Never attempt to lock the trigger in the ON position.

### Proper Cutting Stance

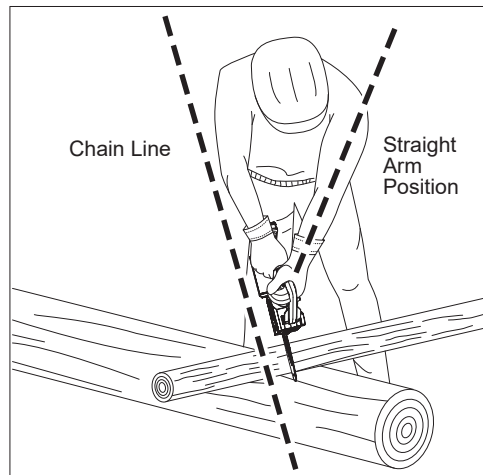
**WARNING** Always use the proper cutting stance described in this section. Never kneel when using the pruning saw, except when felling a tree. Kneeling could result in loss of stability and control of the pruning saw, resulting in serious personal injury.

•Weight should be balanced with both feet on solid ground.

•Keep left arm with elbow locked in a "straight arm" position to withstand any kickback force.

•Your body should always be to the left of the chain line.

•Thumb should be on underside of handlebar.



### Basic Cutting Procedure

Practice cutting a few small logs using the following technique to get the "feel" of using the saw before you begin a major sawing operation.

- Take the proper stance in front of the wood with the saw off.
- Squeeze the switch trigger and let the chain accelerate to full speed before entering the cut.
- Begin cutting with the saw against the log.
- Keep the unit running the entire time you are cutting, maintain a steady speed.
- Allow the chain to cut for you; exert only light downward pressure. If you force the cut, damage to the bar, chain, or unit can result.
- Release the switch trigger as soon as the cut is completed, allowing the chain to stop. If you run the saw without a cutting load, unnecessary wear can occur to the chain, bar, and unit.
- Do not put pressure on the saw at the end of cut.

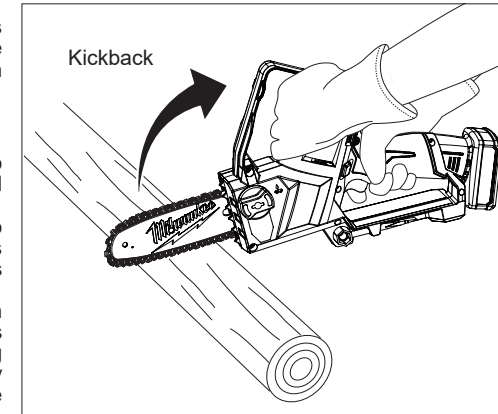
### Work Area Precautions

- Cut only wood or materials made from wood, no sheet metal, no plastics, no masonry, no non-wood building materials.
- Never allow children to operate the saw. Allow no person to use this pruning saw who has not read this Operator's Manual or received adequate instructions for the safe and proper use of this pruning saw.
- Do not attempt to fell a tree or sapling greater than 3" (76 mm) in diameter. To avoid death or serious injury, operator must be trained in safe tree felling techniques, in the use of all appropriate safety equipment and use of a pruning saw suitable for the application.
- Always cut with both feet on solid surface to prevent being pulled off balance.
- Do not cut above shoulder height, as a saw held higher is difficult to control against kickback forces.
- Do not fell trees near electrical wires or buildings. Leave this operation for professionals.
- Cut only when visibility and light are adequate for you to see clearly.
- Check work area for hazards such as bees, rodents, snakes, etc., that may live in trees or brush.

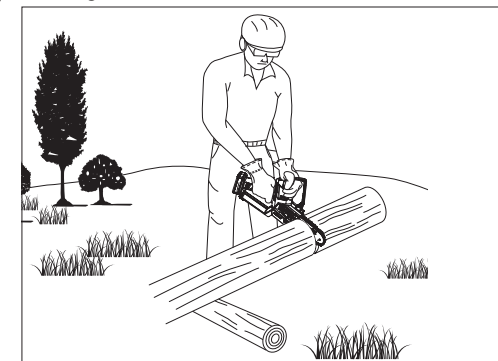
### Bucking

Bucking is the term used for cutting a fallen tree to the desired log length.

- Always make sure your footing is secure and your weight is distributed evenly on both feet.
- Cut only one log at a time.
- Support small logs on a saw horse or another log while bucking.
- Keep a clear cutting area. Make sure that no objects can contact the guide bar nose and chain during cutting, this can cause kickback.
- Never allow someone to hold the log during cutting.
- Never stabilize log with leg or feet.



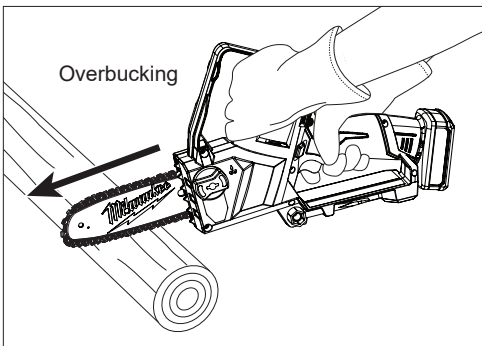
- When bucking on a slope, always stand on the uphill side of the log. To maintain complete control of the pruning saw when cutting through the log, release the cutting pressure near the end of the cut without relaxing your grip on the grasping surfaces. Do not let the chain contact the ground. After completing the cut, wait for the saw chain to stop before you move the pruning saw. Always stop the motor before moving from tree to tree.



- Sometimes it is impossible to avoid pinching (with just standard cutting techniques) or difficult to predict which way a log will settle when cut. To avoid pinching while cutting, rotate or move the log so that the pinch is eliminated.

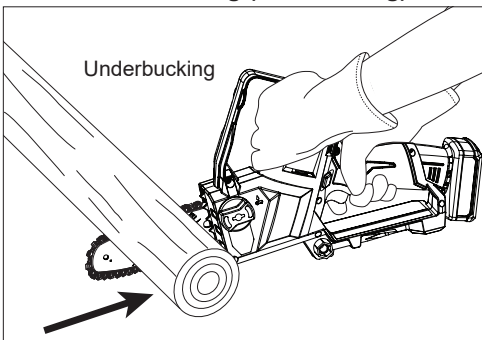
## Types of Cutting Used

### Overbucking (crosscutting)



Begin on the top side of the log with the bottom of the saw against the log; exert light pressure downward. Note that the saw will tend to pull away from you.

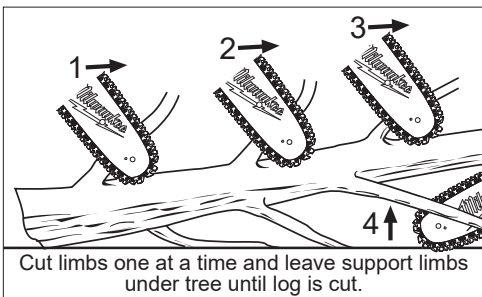
### Underbucking (crosscutting)



Begin on the under side of the log with the top of the saw against the log; exert light pressure upward. During underbucking, the saw will tend to push back at you. Be prepared for this reaction and hold the saw firmly to maintain control.

### Limbing

**WARNING** Never climb into a tree to limb or prune. Do not stand on ladders, platforms, a log, or in any position which can cause you to lose your balance or control of the saw.

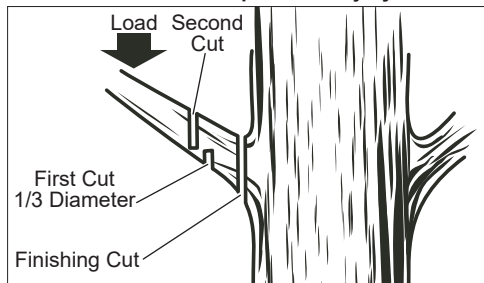


Limbing is removing branches from a fallen tree.

- Work slowly, keeping both hands on the pruning saw with a firm grip. Always make sure your footing is secure and your weight is distributed evenly on both feet.
- Leave the larger support limbs under the tree to keep the tree off the ground while cutting.
- Limbs should be cut one at a time. Remove the cut limbs from the work area often to help keep the work area clean and safe.
- Branches under tension should be cut from the bottom up to avoid binding the pruning saw.
- Keep the tree between you and the pruning saw while limbing. Cut from the side of the tree opposite the branch you are cutting.

### Pruning

**WARNING** If the limbs to be pruned are above shoulder height, hire a professional to perform the pruning. Failure to do so could result in serious personal injury.

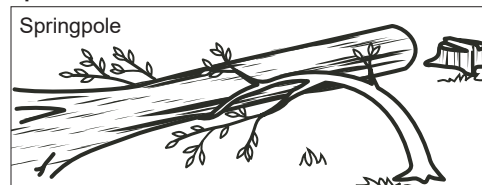


Pruning is trimming limbs from a live tree.

- Work slowly, keeping both hands on the pruning saw with a firm grip. Always make sure your footing is secure and your weight is distributed evenly on both feet.
- Do not cut from a ladder, this is extremely dangerous. Leave this operation for professionals.
- Do not cut above shoulder height as a saw held higher is difficult to control against kickback.
- When pruning trees it is important not to make the finishing cut next to the main limb or trunk until you have cut off the limb further out to reduce the weight. This prevents stripping the bark from the main member.
- Underbuck the branch 1/3 through for your first cut.
- Your second cut should overbuck to drop the branch off.
- Now make your finishing cut smoothly and neatly against the main member so the bark will grow back to seal the wound.

## Springpoles

**WARNING** Springpoles are dangerous and could strike the operator, causing the operator to lose control of the pruning saw. This could result in severe or fatal injury to the operator.



A springpole is any log, branch, rooted stump, or sapling which is bent under tension by other wood so that it springs back if the wood holding it is cut or removed. On a fallen tree, a rooted stump has a high potential of springing back to the upright position during the bucking cut to separate the log from the stump. Watch out for springpoles, they are dangerous.

## TROUBLESHOOTING

Problem	Cause	Solution
Bar and chain running hot and smoking.	Check chain tension for over tight condition.	Correct chain tension.
	Chain oil reservoir is empty.	Fill oil reservoir.
Motor runs, but chain is not rotating.	Chain tension too tight.	Correct chain tension.
	Guide bar and chain improperly assembled.	Correct assembly.
	Guide bar or chain is damaged.	Replaced damaged parts before use.

## MAINTENANCE

**WARNING** To reduce the risk of injury, always unplug the charger and remove the battery pack from the charger or tool before performing any maintenance. Never disassemble the tool, battery pack or charger. Contact a MILWAUKEE service facility for ALL repairs.

### Maintaining Tool

Keep your tool, battery pack and charger in good repair by adopting a regular maintenance program. Inspect your tool for issues such as undue noise, misalignment or binding of moving parts, breakage of parts, or any other condition that may affect the tool operation. Return the tool, battery pack, and charger to a MILWAUKEE service facility for repair. After six months to one year, depending on use, return the tool, battery pack and charger to a MILWAUKEE service facility for inspection. If the tool does not start or operate at full power with a fully charged battery pack, clean the contacts on the battery pack. If the tool still does not work prop-

erly, return the tool, charger and battery pack, to a MILWAUKEE service facility for repairs.

### Chain and Bar

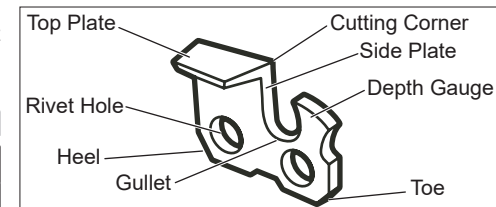
After every few hours of use, remove the drive cover, guide bar and chain and clean thoroughly using a soft bristle brush. Ensure oiling hole on bar is clear of debris. When replacing dull chains with sharp chains it is good practice to flip the guide bar from bottom to top.

### Sharpening the Saw Chain

**WARNING** Improper chain sharpening increases the potential of kickback.

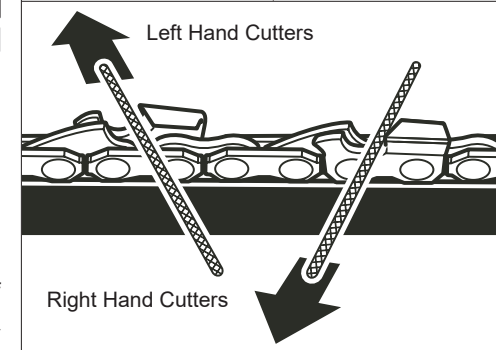
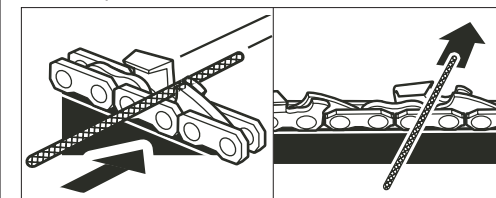
Failure to replace or repair damaged chain can cause serious injury.

The saw chain is very sharp, always wear protective gloves when performing maintenance to the chain.



Be careful to file all cutters to the specified angles and to the same length, as fast cutting can be obtained only when all cutters are uniform.

•Wear gloves for protection. Properly tension the chain prior to sharpening. Refer to Chain Tension section earlier in this manual. Do all of your filing at the mid-point of the bar.

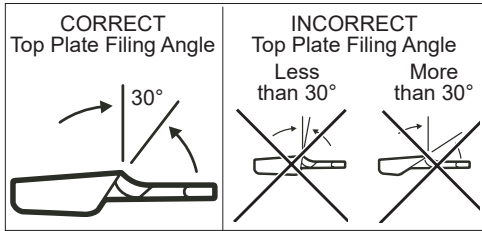


- Use a 5/32 in. diameter round file and holder.
- Keep the file level with the top plate of the tooth. Do not let the file dip or rock.
- Using light but firm pressure, stroke towards the front corner of the tooth.
- Lift file away from the steel on each return stroke.



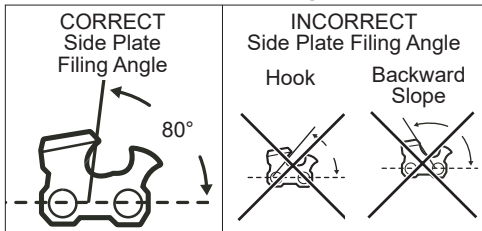
Put a few firm strokes on every tooth. File all left hand cutters in one direction. Then move to the other side and file the right hand cutters in the opposite direction. Occasionally remove filings from the file with a wire brush.

### Top Plate Filing Angle



- CORRECT 30° - File holders are marked with guide marks to align file properly to produce correct top plate angle.
- LESS THAN 30° - For Cross Cutting.
- MORE THAN 30° - Feathered Edge Dulls Quickly.

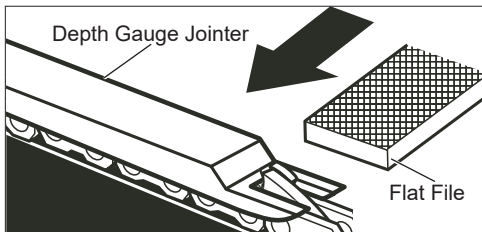
### Side Plate Angle



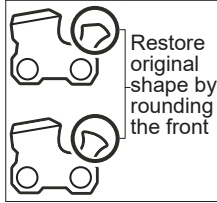
- CORRECT - 80° Produced automatically if correct diameter file is used in file holder.
- HOOK - "Grabs" and dulls quickly. Increases potential of KICKBACK. Results from using a file with diameter too small, or file held too low.
- BACKWARD SLOPE - Needs too much feed pressure, causes excessive wear to bar and chain. Results from using a file with diameter too large, or file held too high.

### Depth Gauge Clearance

- The depth gauge should be maintained at a clearance of .025 in. Use a depth gauge tool for checking the depth gauge clearances.
- Every time the chain is filed, check the depth gauge clearance.



Use a flat file and a depth gauge jointer to lower all gauges uniformly. Depth gauge jointers are available in .020 in. to .035 in. Use a .025 in. depth gauge jointer. After lowering each depth gauge, restore original shape by rounding the front. Be careful not to damage adjoining drive links with the edge of the file.

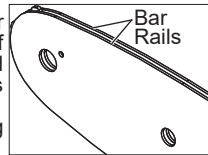


Depth gauges must be adjusted with the flat file in the same direction the adjoining cutter was filed with the round file. Use care not to contact cutter face with flat file when adjusting depth gauges.

### Guide Bar Maintenance

When the guide bar shows signs of wear, flip the guide bar from bottom to top on the saw to distribute the wear for maximum bar life. The bar should be cleaned every day of use and checked for wear and damage.

Feathering or burring of the bar rails is a normal process of bar wear. Such faults should be smoothed with a file as soon as they occur. A bar with any of the following faults should be replaced.



- Wear inside the bar rails which permits the chain to lay over sideways.
- Bent guide bar.
- Cracked or broken rails.
- Spread rails.

Lubricate guide bars with a sprocket at their tip weekly. Using a grease syringe, lubricate weekly in the lubricating hole. Turn the guide bar and check that the lubrication holes and bar rails are free from impurities.

**NOTE:** Do not replace the screw with an ordinary screw. Use only identical replacement parts from the manufacturer when replacing parts.

**WARNING** To reduce the risk of personal injury and damage, never immerse your tool, battery pack or charger in liquid or allow a liquid to flow inside them.

### Cleaning

Clean dust and debris from vents. Keep handles clean, dry and free of oil or grease. Use only mild soap and a damp cloth to clean, since certain cleaning agents and solvents are harmful to plastics and other insulated parts. Some of these include gasoline, turpentine, lacquer thinner, paint thinner, chlorinated cleaning solvents, ammonia and household detergents containing ammonia. Never use flammable or combustible solvents around tools.

### Repairs

For repairs, return the tool, battery pack and charger to the nearest authorized service center.

## ACCESSORIES

**WARNING** Use only recommended accessories. Others may be hazardous.

For a complete listing of accessories, go online to [www.milwaukee.com](http://www.milwaukee.com) or contact a distributor.

### SERVICE - UNITED STATES

**1-800-SAWDUST (1.800.729.3878)**  
Monday-Friday, 7:00 AM - 6:30 PM CST  
or visit [www.milwaukee.com](http://www.milwaukee.com)

Contact Corporate After Sales Service Technical Support with technical, service/repair, or warranty questions.

Email: [metproductsupport@milwaukee.com](mailto:metproductsupport@milwaukee.com)

Become a Heavy Duty Club Member at [www.milwaukee.com](http://www.milwaukee.com) to receive important notifications regarding your tool purchases.

### SERVICE - CANADA

**Milwaukee Tool (Canada) Ltd**  
**1.800.268.4015**  
Monday-Friday, 7:00 AM - 4:30 PM CST  
or visit [www.milwaukee.ca](http://www.milwaukee.ca)

### LIMITED WARRANTY USA & CANADA

Every MILWAUKEE Outdoor Power Equipment Product\* (see exceptions below) is warranted to the original purchaser only to be free from defects in material and workmanship. Subject to certain exceptions, MILWAUKEE will repair or replace any part on an outdoor power equipment product which, after examination, is determined by MILWAUKEE to be defective in material or workmanship for a period of three (3) years after the date of purchase unless otherwise noted. Return of the outdoor power equipment to a MILWAUKEE factory Service Center location or participating MILWAUKEE Authorized Service Station, freight prepaid and insured, is required. A copy of the proof of purchase should be included with the return product. This warranty does not apply to damage that MILWAUKEE determines to be from repairs made or attempted by anyone other than MILWAUKEE authorized personnel, misuse, alterations, abuse, normal wear and tear, lack of maintenance, or accidents.

**Normal Wear:** Many outdoor power equipment products need periodic parts replacement and service to achieve best performance. This warranty does not cover repair when normal use has exhausted the life of a part including, but not limited to trimmer head, trimmer head spool, cutting lines, blades, chains, blower tubes, brushes, o-rings, and seals. \*This warranty does not cover Cordless Battery Packs or Reconditioned Product. There are separate and distinct warranties available for these products.

MILWAUKEE does not cover freight or labor charges associated with the inspection and testing of outdoor power equipment products which are found by MILWAUKEE not to be a valid warranty claim. A valid warranty claim must be substantiated by the discovery of defective material or workmanship by MILWAUKEE.

ACCEPTANCE OF THE EXCLUSIVE REPAIR AND REPLACEMENT REMEDIES DESCRIBED HEREIN IS A CONDITION OF THE CONTRACT FOR THE PURCHASE OF EVERY MILWAUKEE PRODUCT. IF YOU DO NOT AGREE TO THIS CONDITION, YOU SHOULD NOT PURCHASE THE PRODUCT. IN NO EVENT SHALL MILWAUKEE BE LIABLE FOR ANY INCIDENTAL, SPECIAL, CONSEQUENTIAL OR PUNITIVE DAMAGES, OR FOR ANY COSTS, ATTORNEY FEES, EXPENSES, LOSSES OR DELAYS ALLEGED TO BE AS A CONSEQUENCE OF ANY DAMAGE TO, FAILURE OF, OR DEFECT IN ANY PRODUCT INCLUDING, BUT NOT LIMITED TO, ANY CLAIMS FOR LOSS OF PROFITS. SOME STATES DO NOT ALLOW THE EXCLUSION OR LIMITATION OF INCIDENTAL OR CONSEQUENTIAL DAMAGES, SO THE ABOVE LIMITATION OR EXCLUSION MAY NOT APPLY TO YOU. THIS WARRANTY IS EXCLUSIVE AND IN LIEU OF ALL OTHER EXPRESS WARRANTIES, WRITTEN OR ORAL, TO THE EXTENT PERMITTED BY LAW, MILWAUKEE DISCLAIMS ANY IMPLIED WARRANTIES, INCLUDING WITHOUT LIMITATION ANY IMPLIED WARRANTY OF MERCHANTABILITY OR FITNESS

FOR A PARTICULAR USE OR PURPOSE; TO THE EXTENT SUCH DISCLAIMER IS NOT PERMITTED BY LAW, SUCH IMPLIED WARRANTIES ARE LIMITED TO THE DURATION OF THE APPLICABLE EXPRESS WARRANTY AS DESCRIBED ABOVE. SOME STATES DO NOT ALLOW LIMITATIONS ON HOW LONG AN IMPLIED WARRANTY LASTS, SO THE ABOVE LIMITATION MAY NOT APPLY TO YOU, THIS WARRANTY GIVES YOU SPECIFIC LEGAL RIGHTS, AND YOU MAY ALSO HAVE OTHER RIGHTS WHICH VARY FROM STATE TO STATE.

This warranty applies to product sold in the U.S.A. and Canada only. Please consult the "Service Center Search" in the Parts & Service section of MILWAUKEE's website [www.milwaukee.com](http://www.milwaukee.com) or call 1.800.SAWDUST (1.800.729.3878) to locate your nearest service facility for warranty and non-warranty service on a Milwaukee electric power tool.

### LIMITED WARRANTY - MEXICO, CENTRAL AMERICA & CARIBBEAN

TECHTRONIC INDUSTRIES' warranty is for 3 years since the original purchase date.

This warranty card covers any defect in material and workmanship on this Product.

To make this warranty valid, present this warranty card, sealed/stamped by the distributor or store where you purchased the product, to the Authorized Service Center (ASC). Or, if this card has not been sealed/stamped, present the original proof of purchase to the ASC. Call 55 4160-3547 to find the nearest ASC, for service, parts, accessories or components.

#### Procedure to make this warranty valid

Take the product to the ASC, along with the warranty card sealed/stamped by the distributor or store where you purchased the product, and any faulty piece or component will be replaced without cost for you. We will cover all freight costs relative with this warranty process.

#### Exceptions

This warranty is not valid in the following situations  
a) When the product is used in a different manner from the end-user guide or instruction manual.  
b) When the conditions of use are not normal.  
c) When the product was modified or repaired by people not authorized by TECHTRONIC INDUSTRIES.

**Note:** If cord set is damaged, it should be replaced by an Authorized Service Center to avoid electric risks.

SERVICE AND ATTENTION CENTER  
Call to 55 4160-3547

IMPORTED AND COMMERCIALIZED BY  
TECHTRONIC INDUSTRIES MEXICO, S.A. DE C.V.  
Miguel de Cervantes Saavedra No.301 Piso 5, Torre Norte  
11520 Colonia Ampliación Granada  
Miguel Hidalgo, Ciudad de México, Mexico

Model: \_\_\_\_\_  
Date of Purchase: \_\_\_\_\_  
Distributor or Store Stamp: \_\_\_\_\_

## RÈGLES DE SÉCURITÉ GÉNÉRALES RELATIVES AUX OUTILS ÉLECTRIQUES

**AVERTISSEMENT** Lire toutes les consignes de sécurité, consignes, illustrations et spécifications fournies avec cet outil électrique. Ne pas suivre l'ensemble des règles et instructions peut entraîner une électrocution, un incendie ou des blessures graves. **Conservé les règles et les instructions à des fins de référence ultérieure.** Le terme «outil électrique» figurant dans les avertissements ci-dessous renvoie à l'outil électrique à alimentation par le réseau (à cordon) ou par batterie (sans fil).



## SÉCURITÉ DU LIEU DE TRAVAIL

- **Veillez à ce que l'aire de travail soit propre et bien éclairée.** Le désordre et le manque de lumière favorisent les accidents.
- **Ne pas utiliser d'outils électriques dans des atmosphères explosives, par exemple en présence de liquides, gaz ou poussières inflammables.** Les outils électriques produisent des étincelles risquant d'enflammer les poussières ou vapeurs.
- **S'assurer que les enfants et les curieux se trouvent à une bonne distance au moment d'utiliser un outil électrique.** Les distractions peuvent causer une perte de contrôle.

## SÉCURITÉ ÉLECTRIQUE

- **Les fiches des outils électriques doivent correspondre à la prise secteur utilisée. Ne jamais modifier la fiche, de quelque façon que ce soit. Ne jamais utiliser d'adaptateurs de fiche avec des outils mis à la terre.** Les fiches et prises non modifiées réduisent le risque de choc électrique.
- **Éviter tout contact avec des surfaces mises à la terre comme des tuyaux, des radiateurs, des cuisinières et des réfrigérateurs.** Le risque de choc électrique est accru lorsque le corps est mis à la terre.
- **Ne pas exposer les outils électriques à l'eau ou l'humidité.** La pénétration d'eau dans ces outils accroît le risque de choc électrique.
- **Ne pas maltraiter le cordon d'alimentation. Ne jamais utiliser le cordon d'alimentation pour transporter l'outil électrique et ne jamais débrancher ce dernier en tirant sur le cordon. Garder le cordon à l'écart de la chaleur, de l'huile, des objets tranchants et des pièces en mouvement.** Un cordon endommagé ou emmêlé accroît le risque de choc électrique.
- **Pour les travaux à l'extérieur, utiliser un cordon spécialement conçu à cet effet.** Utiliser un cordon conçu pour l'usage extérieur réduit les risques de choc électrique.
- **Si l'utilisation d'un outil électrique est inévitable dans un endroit humide, utiliser une source d'alimentation munie d'un disjoncteur de fuite de terre.** L'utilisation d'un disjoncteur de fuite de terre réduit le risque de choc électrique.

## SÉCURITÉ INDIVIDUELLE

- **Rester attentif, prêter attention au travail et faire preuve de bon sens lors de l'utilisation de tout outil électrique. Ne pas utiliser cet appareil en cas de fatigue ou sous l'influence de l'alcool, de drogues ou de médicaments.** Un moment d'inattention pendant l'utilisation d'un outil électrique peut entraîner des blessures graves.
- **Porter l'équipement de protection individuel requis. Toujours porter une protection oculaire.** Selon les conditions, porter aussi un masque antipoussières, des bottes de sécurité antidérapantes, un casque protecteur ou une protection auditive afin de réduire les blessures.
- **Empêcher les démarrages accidentels. S'assurer que la gâchette est en position d'arrêt avant de brancher l'outil à une source de courant, d'insérer la batterie, de le ramasser ou de le transporter.** Le fait de transporter un outil électrique en gardant le doigt sur la gâchette ou de mettre sous tension un outil électrique lorsque la gâchette est en position de marche favorise les accidents.
- **Retirer les clés de réglage avant de mettre l'outil en marche.** Une clé laissée sur une pièce rotative de l'outil peut causer des blessures.

- **Ne pas travailler hors de portée. Toujours se tenir bien campé et en équilibre.** Une bonne stabilité procure un meilleur contrôle de l'outil électrique en cas d'imprévu.
- **Porter une tenue appropriée. Ne porter ni vêtements amples, ni bijoux. Garder les cheveux et les vêtements à l'écart des pièces en mouvement.** Les vêtements flottants, les bijoux ou les cheveux longs risquent d'être happés par les pièces en mouvement.
- **Si les outils sont équipés de dispositifs de dépoussiérage, s'assurer qu'ils sont connectés et correctement utilisés.** L'utilisation d'un collecteur de poussière permet de réduire les dangers liés à la poussière.
- **Ne pas laisser la familiarité avec l'outil acquise par une utilisation fréquente vous rendre suffisant et vous amener à ignorer les règles de sécurité.** Une utilisation négligée peut causer une blessure grave en une fraction de seconde.

## UTILISATION ET ENTRETIEN DE L'OUTIL ÉLECTRIQUE

- **Ne pas forcer l'outil électrique. Utiliser l'outil électrique approprié pour l'application.** Un outil électrique approprié exécutera le travail mieux et de façon moins dangereuse s'il est utilisé dans les limites prévues.
- **Ne pas utiliser l'outil électrique si le commutateur ne permet pas de le mettre en marche ou de l'arrêter.** Tout outil électrique qui ne peut pas être contrôlé par son commutateur est dangereux et doit être réparé.
- **Débrancher l'outil et/ou retirer le bloc-piles, si possible, avant d'effectuer des réglages, de changer d'accessoire ou de remiser l'outil.** Ces mesures de sécurité préventives réduisent les risques de démarrage accidentel de l'outil.
- **Entreposer l'outil électrique hors de la portée des enfants et interdire à quiconque de l'utiliser si la personne ne connaît pas bien le produit ou les instructions.** Les outils électriques sont dangereux dans les mains d'utilisateurs novices.
- **Entretenir les outils électriques et les accessoires. Vérifier qu'aucune pièce mobile n'est mal alignée ou bloquée, qu'aucune pièce n'est brisée et s'assurer qu'aucun autre problème risque d'affecter le bon fonctionnement de l'outil. En cas de dommages, faire réparer l'outil avant de l'utiliser.** Plusieurs accidents sont causés par des produits mal entretenus.
- **Garder les outils bien affûtés et propres.** Des outils correctement entretenus et dont les tranchants sont bien affûtés risquent moins de se bloquer et sont plus faciles à contrôler.
- **Utiliser l'outil électrique, les accessoires, les embouts etc. conformément à ces instructions en tenant compte des conditions de travail et de la tâche à effectuer.** L'usage d'un outil électrique pour des applications pour lesquelles il n'est pas conçu peut être dangereux.
- **Garder les poignées et les surfaces de préhension sèches, propres et exemptes d'huile ou de graisse.** Des poignées et des surfaces de préhension glissantes ne permettent pas de manipuler et de contrôler l'outil en toute sécurité en cas de situation imprévue.

## UTILISATION ET ENTRETIEN DE LA BATTERIE

- **Pour recharger le bloc-piles, utiliser seulement le chargeur spécifié par le fabricant.** Un chargeur pouvant convenir à un type de bloc-piles peut entraîner un risque d'incendie lorsqu'il est utilisé avec un autre type de bloc-piles.

- **N'utiliser l'outil électrique qu'avec une batterie recommandée.** L'utilisation de tout autre bloc-piles peut créer un risque de blessures et d'incendie.
- **Lorsque le bloc-piles n'est pas utilisé, le tenir éloigné des objets en métal tels que les trombones, les pièces de monnaie, les clés, les clous, les vis ou d'autres petits objets métalliques qui pourraient connecter les bornes.** Le court-circuitage des bornes d'une pile peut entraîner des brûlures ou un incendie.
- **Éviter tout contact avec le liquide pouvant être éjecté de la pile en cas de manutention abusive. En cas de contact accidentel, rincer immédiatement les parties atteintes avec de l'eau. Si le liquide entre en contact avec les yeux, consulter un médecin.** Le liquide éjecté des piles peut causer des irritations ou des brûlures.
- **N'utiliser aucun bloc-piles ni aucun outil ayant été endommagé ou modifié.** Des piles endommagées ou modifiées peuvent adopter un comportement imprévisible pouvant causer un incendie, une explosion ou le risque de blessures.
- **Ne pas exposer le bloc-piles ou l'outil aux flammes ou à une température excessive.** Une exposition aux flammes ou à une température supérieure à 130°C (265°F) peut causer une explosion.
- **Suivre toutes les instructions de charge et ne pas charger le bloc-piles ou l'outil en dehors de la plage de température spécifiée.** Une charge incorrecte ou à des températures en dehors de la plage spécifiée peut endommager la pile et augmenter le risque d'incendie.

## ENTRETIEN

- **Les réparations de l'outil électrique doivent être confiées à un technicien qualifié, utilisant exclusivement des pièces identiques à celles d'origine.** Le maintien de la sûreté de l'outil électrique sera ainsi assuré.
- **Ne jamais effectuer la réparation d'un bloc-piles endommagé.** La réparation du bloc-piles doit être réalisée par le fabricant ou les fournisseurs de service agréés uniquement.

## RÈGLES DE SÉCURITÉ SPÉCIFIQUES POUR SCIE D'ÉLAGAGE

- **Avertissements généraux à propos de la scie d'élagage:**
- **Garder toutes les parties du corps à l'écart de la scie d'élagage lorsqu'elle tourne. Avant de démarquer la scie d'élagage, veillez à s'assurer que la scie à chaîne n'est en contact avec aucun objet.** Un moment d'inattention durant l'opération des scies d'élagage peut provoquer l'enchevêtrement de vos vêtements et même votre corps avec la scie à chaîne.
- **Tenir la scie d'élagage avec la main droite sur la poignée arrière et la main gauche sur la prise de corps.** Tenir la scie d'élagage avec une configuration manuelle inversée augmente la possibilité de subir de blessures physiques.
- **Ne tenir la scie d'élagage que par les surfaces de prise isolées puisque la scie à chaîne pourra entrer en contact avec de fils électriques cachés.** Les scies à chaîne entrant en contact avec un fil « électrifié » peuvent provoquer que les pièces métalliques exposées de la scie d'élagage « s'électrifient » et électrocuter l'utilisateur.
- **Porter une protection oculaire. Il est suggéré de porter d'équipement de protection supplémentaire pour les oreilles, la tête, les mains, les jambes et les pieds.** Porter équipement de protection adéquat minimisera la possibilité de subir des

- blessures physiques provoquées par des débris volants ou un contact accidentel avec la scie à chaîne.
- **Toujours porter des chaussures appropriées et n'utiliser la scie d'élagage que quand vous soyez au debout sur une surface nivelée, fixe et sûre.** Les surfaces glissantes et instables pourront entraîner une perte d'équilibre ou de contrôle de la scie d'élagage.
- **Ne pas opérer la scie d'élagage dans un arbre, sur une échelle ni un toit ni échafaudage sauf si vous êtes un professionnel qualifié.** Afin d'éviter toute blessure physique ou risque de mort, l'utilisateur doit avoir reçu une formation en techniques d'escalade en sûreté et en emploi de tout sorte d'équipement de sécurité approprié.
- **Lors de la coupe d'une branche qui soit sous tension, il faut rester vigilant d'une réaction élastique.** Lors de la libération de fibres de bois, l'extrémité à ressort pourra frapper l'opérateur et/ou provoquer la perte de contrôle de la scie d'élagage.
- **Prendre toutes les précautions nécessaires lors de la coupe de buissons et de branchettes.** Les matériaux fins peuvent se prendre dans la scie à chaîne et fouetter vers l'utilisateur ou causer une perte d'équilibre.
- **Tenir la scie d'élagage à l'écart de votre corps et ne pas poser votre doigt sur la gâchette. Lors du transport ou de l'entreposage de la scie d'élagage, toujours mettre le carter de guide-chaîne en place.** Le manœuvrement approprié de la scie d'élagage minimisera la probabilité d'un contact accidentel avec la scie à chaîne en mouvement.
- **Suivre les consignes de lubrification, la mise en tension de la chaîne et le changement de la barre et la chaîne.** La chaîne qui ne soit pas bien mise en tension ni lubrifiée pourra se casser ou augmenter le risque de rebond.
- **Ne couper que de bois. Ne pas utiliser la scie d'élagage pour d'applications pour lesquelles elle n'est pas conçue. Par exemple: ne pas utiliser la scie d'élagage pour couper du métal, du plastique, des matériaux de maçonnerie et tout autre matériel de construction différent à ceux faits en bois.** L'usage de la scie d'élagage pour d'applications pour lesquelles elle n'ait pas été conçue peut causer une situation dangereuse.
- **Ne pas essayer d'abattre d'arbres jusqu'à ce que vous ayez bien compris les risques inhérents et la façon de bien les éviter.** L'utilisateur et les badauds peuvent subir de blessures physiques graves lors de l'abattage d'un arbre.
- **Causes du rebond et précautions à prendre:** Un rebond pourra se produire lorsque l'extrémité du guide-chaîne touche un objet ou bien, lorsque le bois se referme sur la lame et la pince dans l'entaille. Dans certains cas, le contact de la pointe de la lame avec un objet peut causer une réaction de rebond soudain, projetant le guide-chaîne vers le haut et l'arrière, en direction de l'utilisateur. Le pincement de la chaîne sur le haut du guide-chaîne peut causer une projection violente de la lame en arrière, en direction de l'utilisateur. Chacune de ces deux réactions peut entraîner la perte de contrôle de la scie, et causer des blessures graves. Ne pas compter exclusivement sur les dispositifs de sécurité intégrés à la scie. En tant qu'utilisateur d'une scie d'élagage, vous devez prendre un certain nombre de précautions pour éviter les accidents et les blessures.

Le rebond est causé par une mauvaise utilisation de la scie d'élagage et/ou des méthodes de travail incorrectes et il peut être évité en prenant les précautions suivantes:

- **Tenir fermement la scie d'élagage et placer le corps et les bras d'une façon telle qu'il soit possible de résister les rebonds.** S'il prend les précautions nécessaires, l'opérateur peut contrôler la force du rebond. Ne pas lâcher la scie d'élagage.
- **Ne pas travailler hors de portée ni couper au-dessus de la hauteur des épaules.** Ceci vous aidera à éviter le contact non intentionnel de la pointe et permet un contrôle amélioré de la scie d'élagage dans de situations imprévues.
- **S'assurer que l'endroit où la scie est utilisée est dépourvu de tout obstacle.** Ne pas laisser l'extrémité du guide entrer en contact avec une bille, une branche, une palissade ou tout autre obstacle risquant d'être heurté pendant le sciage.
- **Toujours couper avec le moteur tournant à sa vitesse maximale.** Serrer la gâchette d'accélérateur à fond et maintenir une vitesse de coupe constante.
- **N'utiliser que les guides chaînes et les chaînes spécifiés par le fabricant.** La substitution inadéquate des chaînes et des guide-chaînes pourra provoquer que la chaîne se casse et/ou rebondisse.
- **Suivre les instructions d'affûtage et d'entretien fournies par le fabricant de la scie à chaîne.** La réduction de la hauteur de la jauge de profondeur peut provoquer un rebond plus fort.
- **Suivre toutes les consignes lors du nettoyage de matériaux coincés, de l'entreposage et de l'entretien de la scie d'élagage.** Veuillez s'assurer que le commutateur ne soit pas activé et le bloc-piles ait été retiré. L'activation imprévue de la scie d'élagage lors du nettoyage de matériaux coincés ou de l'entretien pourra entraîner des blessures physiques graves.

#### Règles de sécurité supplémentaires à propos des scies d'élagage

- **Ne pas commencer à couper avant d'avoir déblayé la zone de travail, d'être bien campé et d'avoir prévu une trajectoire pour échapper à l'arbre à abattre.** Les endroits encombrés sont propices aux accidents.
- **Tenir TOUS les enfants, les badauds, les visiteurs et les animaux à l'écart de l'aire de travail lors du démarrage ou du coupage à l'aide de la scie d'élagage.**
- **Porter une tenue appropriée – Porter des vêtements bien ajustés.** Toujours porter un pantalon long, des manches longues, un bleu de travail, des jeans, des jambières en tissu résistant ou dotés de pièces résistantes aux coupures. Porter des chaussures de sécurité antidérapantes. Porter des gants épais pour assurer une bonne prise et protéger les mains. Ne pas porter de bijoux, shorts, de sandales et ne pas travailler à pieds nus. Ne pas porter des vêtements amples qui pourraient être happés dans le moteur ou se prendre dans la chaîne ou les broussailles. Attacher les cheveux longs pour les maintenir au-dessus des épaules.
- **Les vêtements de protection lourds pourront provoquer des épisodes de fatigue dans l'utilisateur, ce qui pourra lui faire subir un coup de chaleur.** Dans de températures chaudes ou humides, il faut faire le travail pénible en début de la matinée ou à la fin d'après-midi quand les températures sont les plus faibles.

- **Toujours porter une protection oculaire appropriée munie d'écrans latéraux certifiée conforme à la norme ANSI Z87.1 lors de l'emploi d'une scie d'élagage.**
- **Toujours se concentrer sur le travail à faire lors de l'usage d'une scie d'élagage.** Faire preuve de bon sens. Ne pas utiliser cette scie en état de fatigue ou sous l'influence de l'alcool, de drogues ou de médicaments.
- **Garder toutes les parties du corps à l'écart de la scie à chaîne lorsque le moteur tourne.**
- **Ne jamais laisser quiconque n'ayant pas reçu des instructions d'utilisation appropriées utiliser la scie d'élagage.** Cette règle s'applique aux scies de location aussi bien qu'à celles appartenant à des particuliers.
- **Avant de démarrer le moteur, s'assurer que la chaîne ne soit en contact avec aucun objet.**
- **Arrêter le moteur avant de poser la scie d'élagage.**
- **Entretenir soigneusement l'outil.** Garder l'outil bien affûté et propre, pour obtenir des performances optimales et minimiser les risques d'accident. Suivre les instructions de lubrification et de changement d'accessoires.
- **Maintenir une prise ferme par les surfaces de prise recommandées.** S'il n'est pas possible d'entreprendre une opération en sûreté en mettant les deux mains sur la scie, AGIR TRÈS PRUDEMMENT.
- **Pendant les opérations où il est nécessaire de travailler d'une main, afin de contrôler et bien tenir la pièce/la branche, guider la pièce loin de vous ou bien, pour améliorer la visibilité de l'aire de travail:**
  - Tenir la main libre à l'écart de la chaîne et loin de la trajectoire de coupe.
  - Tenir une prise ferme de la branche à couper afin d'éviter que la scie « se glisse » ou « rebondisse ».
  - Ne jamais couper hors de la portée de vos épaules.
  - Ne pas croiser les bras ou dépasser sa portée naturelle.
  - Toujours effectuer de coupes loin de votre corps.
  - Éviter toute flexion et tension excessive sur la branche à couper.
- **Ne jamais utiliser une scie d'élagage si elle est endommagée, mal ajustée ou mal assemblée.** La chaîne doit ralentir jusqu'à l'arrêt lorsque la gâchette est relâchée. Si la chaîne continue de tourner une fois la gâchette relâchée, faire réparer la scie par un centre de réparations agréé.
- **Ne pas forcer la scie d'élagage.** Un outil exécutera le travail mieux et de façon moins dangereuse s'il fonctionne dans les limites prévues.
- **Toujours utiliser l'outil adéquat pour le travail.** La scie d'élagage ne doit être utilisée que pour couper du bois. Ne jamais utiliser la scie d'élagage pour couper de plastique, de matériaux de maçonnerie ou d'autres matériaux différents au bois.
- **Agir très prudemment lorsque vous coupez de branches fines, de plantes grimpantes et de petits taillis.** Les matériaux fins peuvent se prendre dans la scie à chaîne et fouetter l'utilisateur ou causer une perte d'équilibre. L'emploi de débroussailluses est conseillé pour effectuer ces opérations.
- **Entreposer la scie d'élagage si elle n'est pas utilisée.** La scie d'élagage doit être entreposée au sec et en haut ou bien, à l'intérieur d'un espace verrouillé, hors de la portée des enfants. Pour entreposer la scie d'élagage, mettre le carter sur la chaîne et le guide-chaîne.
- **Les outils fonctionnant sur batteries n'ayant pas besoin d'être branchés sur une prise secteur, ils**

sont toujours en état de fonctionnement. Rester conscient des dangers même quand l'outil ne soit pas en usage.

- **Conserver ces instructions.** Les consulter fréquemment et les utiliser pour instruire les autres utilisateurs éventuels. Si ce produit est prêté, il doit être accompagné de ces instructions.
- **Après chaque utilisation, nettoyer l'outil avec un chiffon propre et sec. Retirer tous les copeaux, la poussière et les débris trouvés dans le compartiment des piles.**
- **Suivre les instructions d'affûtage et d'entretien fournies par le fabricant de la scie à chaîne.** La réduction de la hauteur de la jauge de profondeur peut provoquer un rebond plus fort.
- **Garder les poignées sèches, propres et exemptes d'huile et de graisse.** Les poignées grasses ou huileuses sont glissantes et peuvent provoquer une perte de contrôle.
- **Toujours faire preuve de bons sens et procéder avec prudence lors de l'utilisation d'outils.** C'est impossible de prévoir toutes les situations dont le résultat est dangereux. Ne pas utiliser cet outil si vous ne comprenez pas ces instructions d'opération ou si vous pensez que le travail dépasse votre capacité ; veuillez contacter Milwaukee Tool ou un professionnel formé pour recevoir plus d'information ou formation.
- **Maintenir en l'état les étiquettes et les plaques d'identification.** Des informations importantes y figurent. Si elles sont illisibles ou manquantes, contacter un centre de services et d'entretien MILWAUKEE pour un remplacement gratuit.

- ⚠ AVERTISSEMENT** Certaines poussières générées par les activités de ponçage, de coupe, de rectification, de perforage et d'autres activités de construction contiennent des substances considérées être la cause de malformations congénitales et de troubles de l'appareil reproducteur. Parmi ces substances figurent:
- le plomb contenu dans les peintures à base de plomb;
  - la silice cristalline des briques, du ciment et d'autres matériaux de maçonnerie, ainsi que
  - l'arsenic et le chrome des sciages traités chimiquement.
- Les risques encourus par l'opérateur envers ces expositions varient en fonction de la fréquence de ce type de travail. Pour réduire l'exposition à ces substances chimiques, l'opérateur doit: travailler dans une zone bien ventilée et porter l'équipement de sécurité approprié, tel qu'un masque anti-poussière spécialement conçu pour filtrer les particules microscopiques.

#### SPÉCIFICATIONS

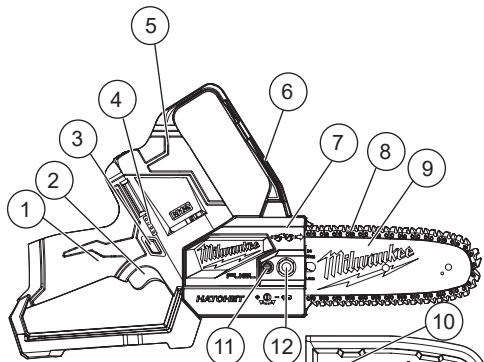
No de Cat.....	2527-20
Volts.....	12 CD
Type de batterie .....	M12™
Type de chargeur .....	M12™
RPM.....	2 650
Vitesse de la chaîne .....	5 m/s (984 ft/min)
Longueur de la barre .....	152 mm (6")
Capacité de coupure .....	140 mm (5.5")
Capacité du réservoir d'huile de chaîne.....	50 ml (1,7 oz)
Guide de rechange .....	49-16-2733
Jauge de chaîne .....	1,1 mm (0,043")
Chaîne de rechange .....	49-16-2732
Type de chaîne .....	Faible rebond
Pitch de la chaîne .....	9,5 mm (3/8") Profil bas
Dents de la chaîne.....	28
Température ambiante de fonctionnement recommandée .....	-18°C à 50°C (0°F à 125°F)

#### PICTOGRAPHIE

- Volts
- Courant direct
- Tours-minute à vide (RPM)
- Lire le d'utilisation manuel
- Toujours porter une protection oculaire et utiliser de l'équipement de protection personnel approprié
- Porter des chaussures de sécurité antidérapantes
- Porter des gants de protection
- Ne laisser personne s'approcher à moins de 15 m (50')
- Ne pas exposer à la pluie ou l'humidité
- Agir TRÈS PRUDEMMENT durant les opérations à une main.
- Utiliser la scie d'élagage à deux mains
- Éviter tout contact avec la pointe du guide
- ⚠ DANGER** Attention aux rebonds
- Réservoir d'huile de chaîne
- Direction de la chaîne
- Réglage de tension de la chaîne
- UL Listing Mark pour Canada et États-unis



## DESCRIPTION FONCTIONNELLE



1. Poignée à gâchette
2. Gâchette à vitesse variable
3. Bouton de verrouillage
4. Indicateur de niveau de charge
5. Prise de corps
6. Garde d'articulation
7. Carter de la chaîne
8. Scie à chaîne
9. Guide-chaîne
10. Fourreau
11. Vis de tension de la chaîne
12. Écrou de guide-chaîne
13. Bouchon d'huile
14. Réservoir d'huile

## Substitution/ajustage de la chaîne et barre de scie

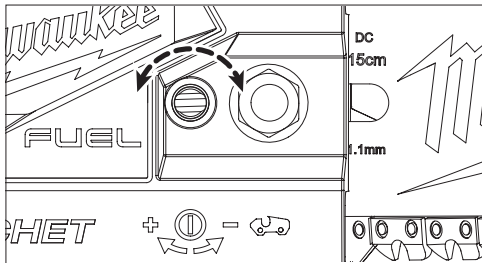
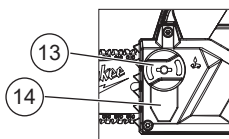
**⚠ AVERTISSEMENT** Il faut toujours retirer la batterie et verrouiller la détente de l'outil avant de changer ou d'enlever les accessoires.

**⚠ ATTENTION** La scie est tranchante. Toujours porter des gants protecteurs lors de la manipulation de la chaîne.

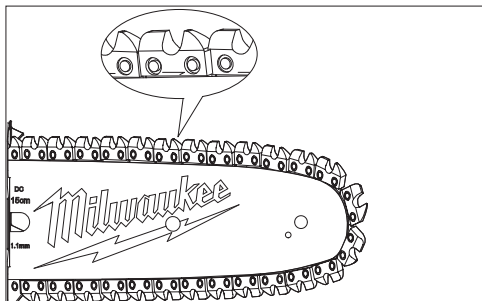
**Utiliser des chaînes pour scie à rebond réduit** - les jauges de profondeur placées en avant de chaque dent peuvent minimiser la force de réaction du rebond en empêchant les dents de mordre trop profondément dans la zone de rebond. Utiliser exclusivement des chaînes de rechange équivalentes à celle d'origine ou certifiées « rebond réduit » selon ANSI B175.1.

À mesure qu'une chaîne est affûtée au cours de sa vie utile, elle perd une partie de ses qualités antirebond. Il est convenable donc de l'utiliser avec une prudence accrue.

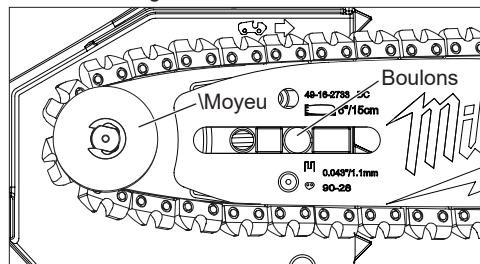
1. Retirer le bloc-piles.
2. Poser la scie sur une surface plate et ferme.
3. Retirer le carter d'entraînement en enlevant les boulons de guide-chaîne à l'aide de l'outil de réglage.



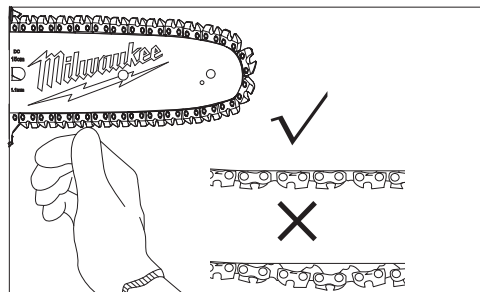
4. Desserrer la chaîne en tournant la vis de tension de la chaîne à gauche à l'aide de l'outil de réglage.
5. Sortir le guide-chaîne des boulons de guide-chaîne et déboucler la chaîne du moyeu d'entraînement.
- ATTENTION!** La scie à chaîne est tranchante.
6. Enlever la chaîne de la rainure de guide-chaîne.
- ATTENTION!** La scie à chaîne est tranchante. Examiner le guide-chaîne pour détecter toutes fissures ou usure ; veuillez le remplacer si endommagé.
7. Enrouler la nouvelle chaîne ou celle qui a été affûtée autour du guide-chaîne, en la direction indiquée sur la scie



8. Veuillez s'assurer que la chaîne soit bien mise en place dans les fentes autour de tout le guide-chaîne.
9. Boucler la chaîne autour du moyeu et la faire convenir au guide autour des boulons.



10. Remplacer le carter d'entraînement.
11. Se servir de l'outil de réglage pour faire tourner la vis de tension de chaîne afin d'augmenter la tension (à droite) jusqu'à ce que la chaîne se serre autour du guide-chaîne.
  - Vous saurez que la tension est la correcte quand la chaîne claque après l'avoir tirée 3 mm (1/8") du guide-chaîne. La chaîne ne doit pas s'affaisser visiblement.



- Ne pas appliquer tension excessive sur la chaîne puisqu'elle provoquera de l'usure excessive et réduira la vie utile de la chaîne et peut endommager le guide-chaîne.
  - Des nouvelles chaînes pourraient s'étirer et se desserrer pendant l'utilisation initiale.
- REMARQUE:** Retirer le bloc-piles et vérifier fréquemment la tension de la chaîne pendant les premières heures d'utilisation.
12. Serrer fermement les boulons du guide-chaîne.

## Huile de lubrification de la chaîne

**⚠ AVERTISSEMENT** Il faut toujours retirer la batterie et verrouiller la détente de l'outil avant de changer ou d'enlever les accessoires.

**⚠ AVIS** Remplir le réservoir d'huile avec de l'huile de chaîne (pas comprise) avant de démarrer la scie d'élagage et quand le réservoir soit à moins d'un quart (1/4). Ne pas lubrifier la chaîne endommagera le guide-chaîne et la chaîne.

Veuillez vérifier le niveau d'huile fréquemment et remplir le réservoir d'huile après chaque fois que la batterie soit vide. Utiliser une huile de chaîne de haute qualité. L'huile maintiendra bien lubrifiés la chaîne de la scie et le guide-chaîne. Ne jamais démarrer la scie sans de l'huile de chaîne. Maintenir

le réservoir à plus d'un 1/4 pour garantir qu'il y ait de l'huile suffisante pour faire les travaux. Toujours lubrifier légèrement la chaîne lors de l'entreposage de l'outil afin de prévenir l'apparition de rouille. Toujours vider le réservoir d'huile lors de l'entreposage de l'outil afin de prévenir des fuites.

**REMARQUE:** Il est suggéré d'utiliser de l'huile de chaîne végétale lors d'élagage d'arbres. L'huile minérale pourra nuire les arbres. Ne jamais utiliser ni de l'huile moteur, ni de l'huile usée ni épaisse. Ces huiles-là peuvent endommager la scie d'élagage.

## Remplissage du réservoir d'huile

1. Retirer le bloc-piles.
2. Poser la scie sur un plancher nu et plat avec la lame vers le haut.
3. Dévisser le bouchon d'huile.
4. Remplir soigneusement le réservoir avec de l'huile de chaîne.
5. Serrer le bouchon d'huile fermement.
6. Répéter les étapes si nécessaire pendant l'utilisation de l'outil.
7. Vérifier fréquemment que la chaîne de la scie soit bien lubrifiée:
  - Avec le réservoir rempli, tenir la scie d'élagage avec la pointe du guide-chaîne en direction d'une surface en couleur claire.
  - Démarrer la scie d'élagage pour environ 30 secondes.
  - Une ligne d'huile devra apparaître sur la surface claire.
  - Si non, retirer et nettoyer le guide-chaîne soigneusement. S'assurer que le pignon du guide-chaîne (dans la pointe) tourne sans problème.
  - Si le système de lubrification ne fonctionne pas toujours bien, veuillez contacter le centre de réparations MILWAUKEE.

## Transportation de la scie

- Avant de transporter la scie, toujours :
1. Retirer le bloc-piles.
  2. Mettre le carter sur le guide-chaîne.

## MANIEMENT

**⚠ AVERTISSEMENT** Afin de minimiser le risque de blessures, toujours porter la protection oculaire appropriée certifiée conforme à la norme ANSI Z87.1.

Lorsque de travaux sont faits dans de situations poussiéreuses, porter une protection respiratoire ou bien, utiliser une solution d'extraction de poussière conforme aux normes OSHA.

**⚠ DANGER** Ne jamais utiliser l'outil pour couper de lignes électriques ou de sources de courant. Si le guide et la chaîne se coincent sur une ligne ou cordon électrifié, NE PAS LES TOUCHER ! ELLES PEUVENT ÊTRE SOUS TENSION ET DONC, EXTRÊMEMENT DANGEREUSES. Continuer de tenir la scie d'élagage par les surfaces de prise isolées ou la poser à l'écart en prenant les précautions nécessaires. Mettre le circuit électrique de la ligne électrique hors tension ou débrancher le cordon endommagé avant d'essayer de débloquer le guide-chaîne et chaîne par la ligne ou le cordon. Le contact avec le guide, la chaîne, d'autres parties conductrices de la scie à chaîne ou bien, d'autres lignes ou de cordons électriques sous tension causeront la mort par électrocution, choc électrique ou des blessures physiques graves.



**AVERTISSEMENT** Lire et veiller à bien comprendre toutes les instructions. Le non-respect des consignes ci-dessous peut entraîner un choc électrique, un incendie et/ou des blessures physiques graves.

• Ne pas se protéger contre le rebonds peut provoquer des lésions graves et même la mort. Voir les « Instructions importantes concernant la sécurité » sur la protection contre le rebond afin d'éviter les risques de rebond.

• Toujours porter une protection oculaire appropriée munie d'écrans latéraux certifiée conforme à la norme ANSI Z87.1 lors de l'emploi d'une scie d'élagage. Le non-respect de ces consignes pourrait entraîner des blessures graves si l'appareil projetait des objets en direction de vos yeux ainsi que des blessures graves.

• Ne pas travailler hors de portée. Ne pas couper au-dessus de vos épaules. Veuillez s'assurer que vos pieds soient fermes. Écarter les pieds. Répartir vos poids uniformément sur vos deux pieds.

• Toujours porter des chaussures appropriées et utiliser la scie d'élagage uniquement quand vous soyez au debout sur une surface nivelée, fixe et sûre. Les surfaces glissantes et instables pourront entraîner une perte d'équilibre ou de contrôle de la scie d'élagage.

• Ne pas opérer la scie d'élagage dans un arbre, sur une échelle ni un toit ni échafaudage sauf si vous êtes un professionnel qualifié. Afin d'éviter toute blessure physique ou risque de mort, l'utilisateur doit avoir reçu une formation en techniques d'escalade en sûreté et en emploi de tout sorte d'équipement de sécurité approprié.

• Ne pas laisser la familiarité avec le produit faire oublier la prudence. Ne pas oublier qu'une fraction de seconde d'inattention peut entraîner des blessures graves.

• Tenir la scie d'élagage avec la main droite sur la poignée arrière et la main gauche sur la prise de corps. Tenir la scie d'élagage avec une configuration manuelle inversée augmente la possibilité de subir de blessures physiques.

• Pendant les opérations où il est nécessaire de travailler d'une main, afin de contrôler et bien tenir la pièce/la branche, guider la pièce loin de vous ou bien, pour améliorer la visibilité de l'aire de travail:

• Tenir la main libre à l'écart de la chaîne et loin de la trajectoire de coupe.

• Tenir une prise ferme de la branche à couper afin d'éviter que la scie « se glisse » ou « rebondisse ».

• Ne jamais couper hors de la portée de vos épaules.

• Ne pas croiser les bras ou dépasser sa portée naturelle.

• Toujours effectuer de coupes loin de votre corps.

• Éviter toute flexion et tension excessive sur la branche à couper.

• Ne jamais laisser aucune partie de votre corps se trouver dans la ligne du guide-chaîne lors de l'utilisation de la scie d'élagage.

• Ne jamais utiliser l'outil si vous vous trouvez dans une position difficile ou sur une surface instable. C'est possible de perdre le contrôle de la scie, ce qui causera de blessures physiques graves.

• Effectuer une coupe dont le diamètre est plus grand que la capacité de coupe de la scie exigera de techniques avancées et ne devra être fait que par de professionnels qualifiés. La réalisation de ces types de coupes peut provoquer des accidents et cause la mort ou des blessures corporelles graves.

• Laisser la scie d'élagage parvenir à sa vitesse maximale pendant toute la durée de la coupe.

• Laisser la chaîne faire la coupe pour vous. N'exercer que de pression minimale. Ne pas exercer de pression sur la scie d'élagage à la fin d'une coupe.

• Ne pas utiliser aucun accessoire non recommandé par le fabricant. L'utilisation de pièces et accessoires non recommandés peut entraîner des blessures graves.

### Indicateur de charge de la batterie

Pour déterminer l'autonomie de la batterie, allumez l'outil. La jauge de carburant s'allume pendant 2-3 secondes. Lorsque moins de 10% de la charge est laissée, une lumière sur la jauge de carburant clignotera 4 fois.

Pour signaler la fin de la charge, une lumière sur la jauge de carburant clignotera 8 fois et l'outil ne s'exécutera pas. Chargez le bloc-piles.

Si la batterie devient trop chaude, les voyants de jauge de carburant clignoteront dans un motif alternatif et l'outil ne s'exécutera pas. Laissez la batterie refroidir.

### Rebond

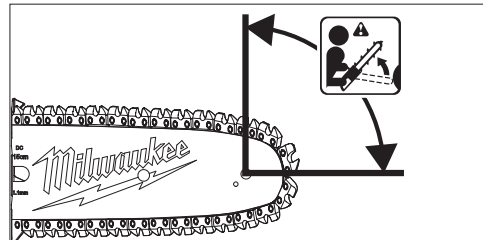


**AVERTISSEMENT** Un rebond pourra se produire lorsque l'extrémité du guide-chaîne touche un objet ou bien, lorsque le bois se referme sur la lame et la pince dans l'entaille.

Dans certains cas, le contact de la pointe de la lame avec un objet peut causer une réaction de rebond soudain, projetant le guide-chaîne vers le haut et l'arrière, en direction de l'utilisateur.

Le pincement de la chaîne sur le haut du guide-chaîne peut causer une projection violente de la lame en arrière, en direction de l'utilisateur.

Chacune de ces deux réactions peut entraîner la perte de contrôle de la scie, et causer des blessures graves. Ne pas compter exclusivement sur les dispositifs de sécurité intégrés à la scie. En tant qu'utilisateur d'une scie d'élagage, vous devez prendre un certain nombre de précautions pour éviter les accidents et les blessures.



Une compréhension élémentaire du rebond peut réduire ou éliminer l'élément de surprise. Les surprises sont favorables aux accidents:

• Toujours se tenir bien campé et en équilibre.



Tenir fermement la scie d'élagage et placer le corps et les bras d'une façon telle qu'il soit possible de résister les rebonds. S'il prend les précautions nécessaires, l'opérateur peut contrôler la force du rebond. Ne pas lâcher la scie d'élagage.

• Ne pas travailler hors de portée ni couper au-dessus de la hauteur des épaules. Ceci vous aidera à éviter le contact non intentionnel de la pointe et permet un contrôle amélioré de la scie d'élagage dans de situations imprévues.

• S'assurer que l'endroit où la scie est utilisée est dépourvu de tout obstacle. Ne pas laisser l'extrémité du guide entrer en contact avec une bille, une branche, une palissade ou tout autre obstacle risquant d'être heurté pendant le sciage.

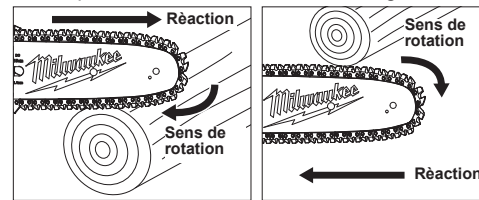
• Toujours couper avec le moteur tournant à sa vitesse maximale. Serrer la gâchette d'accélérateur à fond et maintenir une vitesse de coupe constante.

• N'utiliser que les guides chaînes et les chaînes spécifiés par le fabricant. La substitution inadéquate des chaînes et des guide-chaînes pourra provoquer que la chaîne se casse et/ou rebondisse.

• Suivre les instructions d'affûtage et d'entretien fournies par le fabricant de la chaîne. La réduction de la hauteur de la jauge de profondeur peut provoquer un rebond plus fort.

• Suivre toutes les consignes lors du nettoyage de matériaux coincés, l'entreposage et l'entretien de la scie d'élagage. Veuillez s'assurer que le commutateur ne soit pas activé et le bloc-piles ait été retiré. L'activation imprévue de la scie d'élagage lors du nettoyage de matériaux coincés ou de l'entretien pourra entraîner des blessures physiques graves.

• Poussee et traction - La force de réaction s'exerce toujours dans le sens opposé à la rotation de la chaîne, au point de contact avec le bois. Par conséquent, l'utilisateur doit être prêt à contrôler la TRACTION lorsque la coupe est effectuée avec le bas du guide et la POUSSÉE lorsque la coupe est effectuée avec le haut du guide.



### Mise en marche/arrêt de l'outil

**AVERTISSEMENT** Tenir la scie d'élagage avec la main droite sur la poignée arrière et la main gauche sur la prise de corps. Mettre votre corps et vos bras d'une façon telle que vous seriez capable de résister les forces de rebond. Une prise ferme, bras gauche tendu, facilite le contrôle de la scie en cas de rebond. Garder le corps à droite de la ligne de chaîne. Ne jamais chevaucher la scie ou la chaîne ni se pencher au-delà de la ligne de chaîne.



Porter des gants antidérapants pour assurer une prise et une protection maximale.

1. Insérer le bloc-piles.
2. Tenir les deux poignées fermement, en tenant votre corps hors de la ligne de la chaîne.
3. Appuyer sur le bouton de verrouillage et appuyer sur la gâchette.
4. Laisser la scie d'élagage parvenir à sa vitesse maximale avant d'entamer la pièce.
5. Pour arrêter l'outil, relâcher la gâchette. Ne pas s'éloigner de l'outil jusqu'à ce que la chaîne parvienne à un arrêt complet.

**AVERTISSEMENT** Ne jamais tenter de verrouiller la gâchette dans la position de DÉMARRAGE.

### Position de coupe correcte

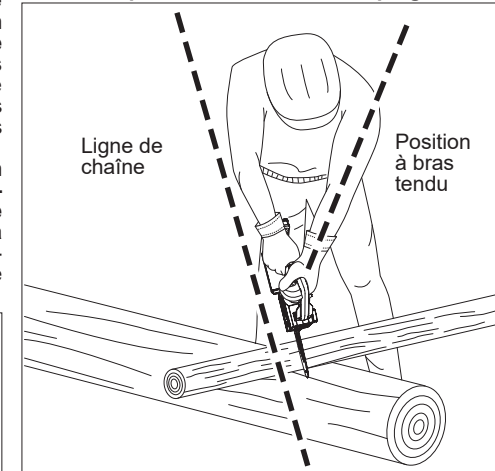
**AVERTISSEMENT** Toujours tenir la position de coupe correcte décrite dans cette section. Ne jamais se mettre à genoux lors de l'utilisation de la scie d'élagage, sauf que vous soyez en train d'abattre un arbre. Se mettre à genoux peut provoquer la perte de stabilité et contrôle de la scie d'élagage, ce qui causera des blessures physiques graves.

• Se tenir bien campé et en équilibre sur les deux pieds, sur un sol ferme.

• Garder le bras gauche tendu afin de pouvoir résister à la force d'un éventuel rebond.

• Toujours garder le corps à gauche de la ligne de chaîne.

• Garder le pouce au-dessous de la poignée.



## Méthode de coupe élémentaire

S'exercer en coupant quelques petites branches avec la technique décrite ci-après, pour se familiariser avec la scie avant d'entreprendre un travail de coupe important.

- Se mettre en position correcte, face à la pièce à couper, avec la scie arrêtée.
- Appuyer sur la gâchette et laisser la chaîne parvenir à pleine vitesse avant de commencer la coupe.
- Commencer la coupe avec la scie appuyée contre le rondin.
- Maintenir un régime moteur uniforme pendant toute la durée de la coupe.
- Laisser la scie effectuer le travail, ne la pousser que légèrement vers le bas. Une force excessive pourrait endommager la chaîne, le guide ou le moteur.
- Relâcher la gâchette dès que la coupe ait été effectuée et attendre que la chaîne parvienne à s'arrêter. Le fonctionnement sans charge de coupe peut inutilement causer une usure excessive de la chaîne, du guide et du moteur.
- Ne pas peser sur la scie pour faire la coupure de finition.

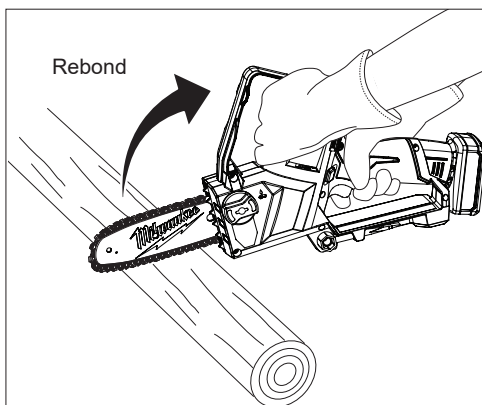
## Précautions de chantier

- Toujours couper avec les deux pieds posés sur un sol ferme pour éviter toute perte d'équilibre.
- Ne pas couper au-dessus du niveau de la épaules, car il est difficile de contrôler une scie tenue plus haut en cas de rebond.
- Ne pas abattre d'arbres se trouvant à proximité de lignes électriques ou de bâtiments. Ce type de travail doit être confié à des professionnels.
- Ne couper que lorsque la visibilité et la lumière permettent de voir clairement.
- Vérifiez la zone de travail pour les dangers tels que les abeilles, les rongeurs, les serpents, etc, qui peuvent vivre dans les arbres ou les broussailles.
- Ne couper que de bois ou de matériaux dérivés du bois. Ne jamais couper de la tôle, des plastiques, du béton ou des matériaux de construction autres que le bois.
- Ne jamais laisser un enfant utiliser la scie. Ne jamais laisser personne utiliser cette scie d'élagage si la personne n'a pas lu ce manuel d'utilisation ou si elle n'a pas reçu une formation adéquate sur la sûreté et l'emploi corrects de cette scie d'élagage.
- Ne pas essayer d'abattre un arbre ou un arbrisseau dont le diamètre est de plus de 76 mm (3"). Afin d'éviter toute blessure physique ou risque de mort, l'utilisateur doit avoir reçu une formation en techniques d'abattage d'arbres en sûreté, en emploi de tout sorte d'équipement de sécurité approprié et en emploi d'une scie d'élagage idéale pour l'application.

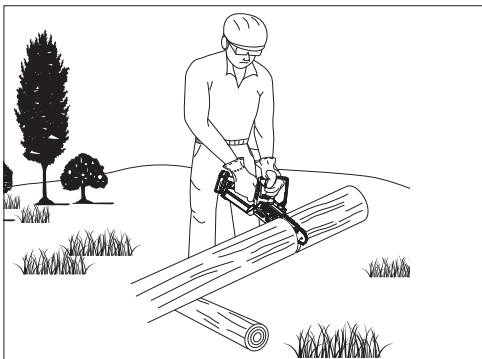
## Débitage

Débitage est le terme utilisé pour la coupe d'un arbre abattu en rondins de la taille désirée.

- Toujours veiller à se tenir bien campé et en équilibre sur les deux pieds.
- Ne couper qu'un rondin à la fois.
- Soutenir les petits rondins avec un chevalet ou un autre rondin.
- Garder le lieu de travail propre. S'assurer que rien ne risque d'entrer en contact avec l'extrémité du guide et la chaîne, car cela pourrait causer un rebond.
- Ne jamais laisser personne tenir le rondin lors de l'opération de coupure.
- Ne jamais stabiliser le rondin en utilisant vos jambes ou pieds.



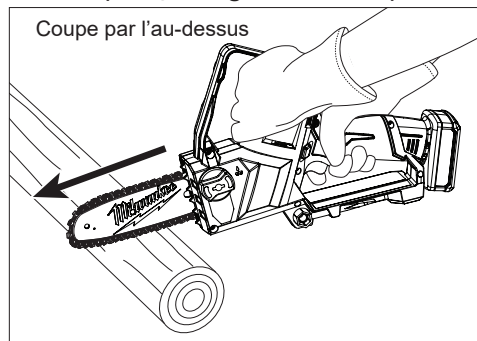
- Lors du tronçonnage sur une pente, toujours se tenir en amont du rondin. En fin de coupe, réduire la pression exercée sur la scie d'élagage, sans relâcher la prise des deux mains sur les poignées afin de garder le contrôle de la scie. Ne pas laisser la chaîne heurter le sol. Une fois la coupe terminée, laisser la chaîne parvenir à s'arrêter avant de bouger la scie d'élagage. Toujours arrêter le moteur avant de passer d'un arbre à un autre.



- Il est parfois impossible d'éviter le pincement (en employant seulement les techniques de coupe conventionnelle) ou difficile de prévoir dans quel sens le rondin va ployer lorsqu'il est coupé. Tourner ou déplacer le rondin pendant la coupe pour éviter tout pincement.

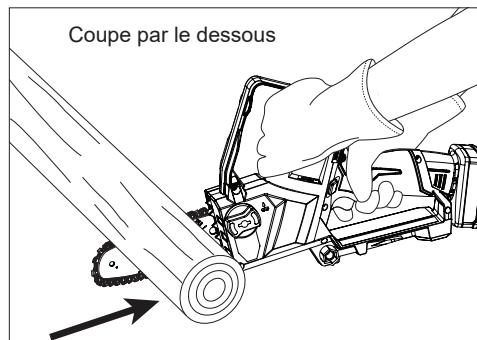
## Types de coupe utilisés

### Coupe par l'au-dessus (tronçonnage transversal)



Commencer sur le haut du rondin, le bas de la scie appuyé contre le bois et exercer une légère pression vers le bas. Noter que la scie aura tendance à tirer vers l'avant.

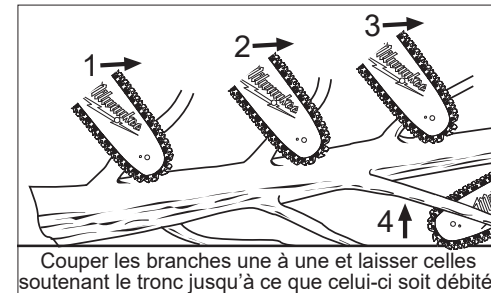
### Coupe par le dessous (tronçonnage transversal)



Commencer sur le bas du rondin, le haut de la scie appuyé contre le bois et exercer une légère pression vers le haut. Noter que la scie aura tendance à pousser vers l'utilisateur. Être préparé à cette réaction et maintenir la scie fermement pour garder le contrôle.

## Ébranchage

**⚠ AVERTISSEMENT** Ne jamais grimper dans un arbre pour l'ébrancher ou l'émonder. Ne pas travailler en se tenant sur une échelle, une plate-forme ou un rondin, ni se tenir dans une position risquant de faire perdre l'équilibre ou le contrôle de la scie.

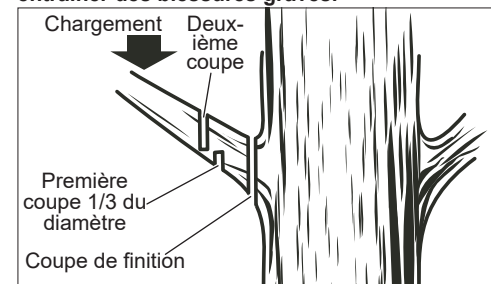


L'ébranchage consiste à couper les branches d'un arbre abattu.

- Travailler lentement et tenir la scie fermement à deux mains. Toujours veiller à se tenir bien campé et en équilibre sur les deux pieds.
- Ne pas couper les grosses branches soutenant l'arbre, afin de le maintenir à distance du sol.
- Ne couper qu'une branche à la fois. Éloigner les branches coupées de la zone de travail fréquemment pour maintenir l'endroit dégagé et sûr.
- Les branches sous tension doivent être coupées par le dessous pour éviter le pincement de la scie d'élagage.
- Pendant l'ébranchage, garder le tronc entre vos corps et la scie. Couper en se tenant du côté du tronc opposé à la branche à couper.

## Élagage

**⚠ AVERTISSEMENT** Si les branches à couper se trouvent au-dessus du niveau de la épaules, confier le travail à un professionnel. Ne pas prendre cette précaution peut entraîner des blessures graves.



L'élagage consiste à couper les branches d'un arbre sur pied.

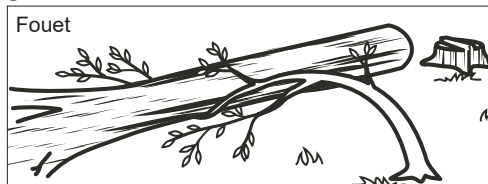
- Travailler lentement et tenir la scie fermement à deux mains. Toujours veiller à se tenir bien campé et en équilibre sur les deux pieds.
- Ne pas utiliser la scie en se tenant sur une échelle, ce qui est extrêmement dangereux. Ce type de travail doit être confié à des professionnels.
- Ne pas couper au-dessus du niveau de la épaules, car il est difficile de contrôler une scie tenue plus haut en cas de rebond.



- Lors de l'élagage, il est important de ne pas couper au ras d'une branche maîtresse ou du tronc avant d'avoir coupé la branche à distance pour en réduire le poids. Ceci évite d'endommager l'écorce.
- La première entaille doit être effectuée par le dessous, jusqu'au tiers du diamètre de la branche.
- La deuxième entaille doit être effectuée par le dessus pour faire tomber la branche.
- Ceci fait, la coupe finale peut être effectuée nettement au ras du tronc ou de la branche maîtresse, de façon à ce que l'écorce puisse pousser pour sceller la plaie.

### Fouets

**AVERTISSEMENT** Les fouets sont dangereux et peuvent heurter l'opérateur, lui faisant perdre le contrôle de la scie d'élagage. Ceci peut entraîner des blessures graves ou mortelles.



Un fouet est un rondin, une branche, une souche déracinée ou un arbrisseau fléchi sous tension par une autre pièce de bois qui se détendra une fois que cette pièce est coupée ou enlevée. La souche déracinée d'un arbre abattu risque fortement de se remettre à la verticale lorsque la coupe destinée à séparer le tronc de la souche est effectuée. Se méfier des fouets, ils sont dangereux.

### DÉPANNAGE

Problème	Cause	Solution
Le guide et la chaîne chauffent et fument.	Vérifier si la chaîne est trop tendue. Le réservoir d'huile de chaîne est vide	Corriger la tension de chaîne. Remplir le réservoir d'huile.
Le moteur tourne, mais la chaîne ne se met pas en rotation.	La chaîne est sous tension excessive. L'ensemble guide et chaîne ne sont pas bien assemblés. Le guide-chaîne ou la chaîne sont endommagés.	Corriger la tension de chaîne. Corriger l'assemblage. Remplacer les pièces endommagées avant d'utiliser l'outil.

### ENTRETIEN

**AVERTISSEMENT** Pour minimiser les risques de blessures corporelles, débranchez le chargeur et retirez la batterie du chargeur ou de l'outil avant d'y effectuer des travaux d'entretien. Ne démontez jamais l'outil, la batterie ou le chargeur. Pour toute réparation, consultez un centre de service MILWAUKEE agréé.

### Entretien de l'outil

Gardez l'outil en bon état en adoptant un programme d'entretien ponctuel. Inspectez votre outil pour des questions telles que le bruit excessif, de grippage des pièces mobiles, de pièces cassées ou toute autre condition qui peut affecter le fonctionnement de l'outil. Retournez votre outil à un centre de service MILWAUKEE agréé pour obtenir le service. Après une période pouvant aller de 6 mois à un an, selon l'usage, retournez votre outil à un centre de service MILWAUKEE agréé pour d'inspection.

Si l'outil ne démarre pas ou ne fonctionne pas à pleine puissance alors qu'il est branché sur une batterie complètement chargée, nettoyez les points de contact entre la batterie et l'outil. Si l'outil ne fonctionne toujours pas correctement, renvoyez l'outil, le chargeur et la batterie à un centre de service MILWAUKEE agréé.

### Chaîne et barre

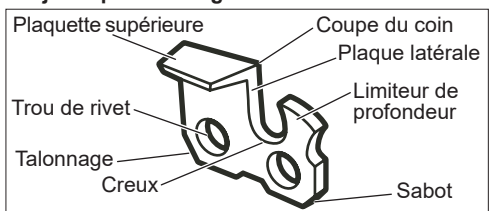
Après quelques heures d'utilisation, retirez le carter d'entraînement, le guide-chaîne et la chaîne pour les nettoyer soigneusement en utilisant une brosse à poils souples. Veuillez s'assurer que le trou de remplissage sur la barre n'ait pas de débris. Lors du remplacement des chaînes ternes par des chaînes pointues, il est bon de retourner la barre de guidage de bas en haut.

### Affûtage de la chaîne à scie

**AVERTISSEMENT** Un affûtage incorrect de la chaîne accroît le risque de rebond.

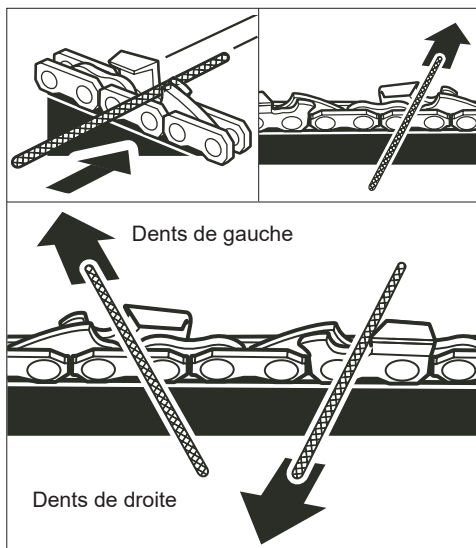
L'utilisation d'une chaîne endommagée peut causer de blessures graves.

La chaîne de la scie est extrêmement tranchante. Toujours porter des gants lors de son entretien.



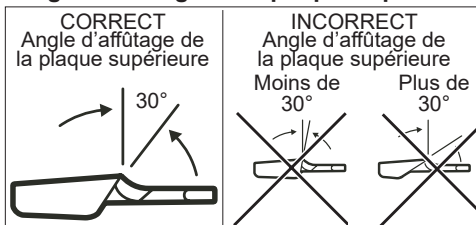
Veillez à limer toutes les dents aux angles spécifiés et à la même longueur, car une coupe rapide ne peut être obtenue qu'avec des dents uniformes.

• Porter des gants protecteurs. Tendre la chaîne correctement avant de l'affûter. Voir la section « Tension de la chaîne » plus haut dans ce manuel. Tout le limage doit être effectué au point central du guide.



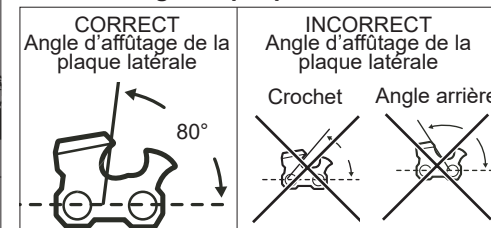
- Utiliser une lime ronde de 4 mm (5/32") et un porte-lime.
- Garder la lime de niveau avec la plaque supérieure de la dent. Ne pas incliner la lime ni utiliser un mouvement de bascule.
- Exercer une pression légère mais ferme et limer en direction du coin avant de la dent.
- Soulever la lime du métal à chaque retour.
- Effectuer quelques passes fermes sur chaque dent. Limer toutes les gouges de gauche dans un sens. Ensuite, passer à l'autre côté et limer toutes les gouges de droite dans l'autre sens. De temps à autre, éliminer la limaille de la lime au moyen d'une brosse métallique.

### Angle d'affûtage de la plaque supérieure



- CORRECT 30° - Les porte-limes sont dotés de repères permettant d'aligner la lime correctement, de façon à obtenir un angle de plaque supérieure satisfaisant.
- MOINS DE 30° - Pour les coupes transversales.
- PLUS DE 30° - Tranchant aminci, s'émousse rapidement.

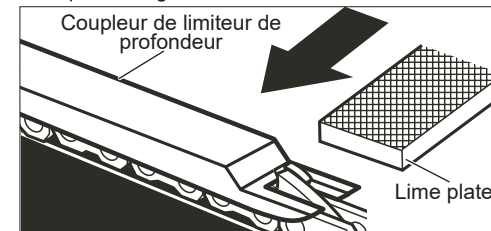
### Angle de plaque latérale



- CORRECT 80° - Obtenu automatiquement si une lime de taille appropriée est placée dans le porte-lime.
- CROCHET - « Accroche » le bois et s'émousse rapidement. Accroît le risque de REBOND. Résulte de l'emploi d'une lime de trop petit diamètre ou d'une lime tenue trop bas.
- ANGLE ARRIÈRE - Nécessite une pression d'attaque excessive, causant l'usure prématurée du guide et de la chaîne. Résulte de l'emploi d'une lime de trop grand diamètre ou d'une lime tenue trop haut.

### Dégagement de jauge de profondeur

- Le jeu du limiteur de profondeur doit être maintenu à 0,6 mm (,025"). Utiliser un outil de jauge de profondeur pour vérifier le jeu du limiteur.
- Vérifier le jeu du limiteur de profondeur lors de chaque affûtage de la chaîne.



Utiliser une lime plate et un coupleur pour limer uniformément tous les limiteurs de profondeur. Les coupleurs de limiteur de profondeur sont disponibles en tailles 0,5 mm à 0,9 mm (,020" to ,035").

Veillez utiliser un coupleur de limiteur de profondeur de 0,6 mm (,025"). Après avoir abaissé chaque limiteur de profondeur, lui rendre sa forme d'origine en arrondissant l'avant.

Veillez à ne pas endommager les maillons d'entraînement adjacents avec le bord de la lime.

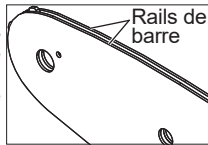
Les limiteurs de profondeur doivent être ajustés avec la lime plate dans le sens dans lequel les dents adjacentes ont été affûtées avec la lime ronde. Veillez à ne pas toucher la face de la gouge avec la lime plate lors de l'ajustement des limiteurs de profondeur.



## Entretien du guide-chaîne

Lorsque le guide-chaîne présente des signes d'usure, retourner la barre de guidage de bas en haut de répartir l'usure et d'obtenir une vie utile maximale. Le guide doit être nettoyé après chaque journée d'utilisation et inspecté en vue d'usure ou de dommage.

Les amincissements et ébarbures sur les rails du guide font partie de l'usure normale. Ces défauts doivent être limés dès qu'ils apparaissent. Un guide présentant l'un ou plusieurs des défauts ci-dessous doit être remplacé.



- Usure de l'intérieur des rails permettant à la chaîne de se coucher sur le côté.
- Guide tordu.
- Rails fendus ou brisés.
- Rails écartés.

Lubrifier les guides-chaîne dotés d'un pignon d'extrémité une fois par semaine. Injecter la graisse dans le trou de lubrification, à l'aide d'une seringue, une fois par semaine. Retourner le guide-chaîne et s'assurer que les trous de lubrification et rails de barre soient propres.

**REMARQUE:** Ne pas remplacer la vis avec une vis ordinaire. Utiliser exclusivement des pièces identiques à celles d'origine conçues par le fabricant lors de la substitution.

**AVERTISSEMENT** Pour minimiser les risques de blessures ou de dommages à l'outil, n'immergez jamais l'outil, la batterie ou le chargeur et ne laissez pas de liquide s'y infiltrer.

## Nettoyage

Débarrassez les événements des débris et de la poussière. Gardez les poignées propres, à sec et exemptes d'huile ou de graisse. Le nettoyage doit se faire avec un linge humide et un savon doux. Certains nettoyants tels l'essence, la térébenthine, les diluants à laque ou à peinture, les solvants chlorés, l'ammoniaque et les détergents d'usage domestique qui en contiennent pourraient détériorer le plastique et l'isolation des pièces. Ne laissez jamais de solvants inflammables ou combustibles auprès des outils.

## Réparations

Pour les réparations, retournez outil, batterie et chargeur en entier au centre-service autorisé le plus près.

## ACCESSOIRES

**AVERTISSEMENT** L'utilisation d'autres accessoires que ceux qui sont spécifiquement recommandés pour cet outil peut comporter des risques.

Pour une liste complète des accessoires, visiter le site internet [www.milwaukeekeetool.com](http://www.milwaukeekeetool.com) ou contactez un distributeur.

## SERVICE - CANADA

**Milwaukee Tool (Canada) Ltd**  
1.800.268.4015  
Monday-Friday, 7:00 AM - 4:30 PM CST  
[www.milwaukeekeetool.ca](http://www.milwaukeekeetool.ca)

## GARANTIE LIMITÉE - AUX ÉTATS-UNIS ET AU CANADA

Chaque produit motorisé d'utilisation à l'extérieur MILWAUKEE (voir les exceptions ci-dessous) est garanti à l'acheteur d'origine d'être exempt de tous défauts de matériel et main-d'œuvre. Sous réserve de certaines exceptions, MILWAUKEE réparera ou remplacera toute pièce d'un produit motorisé d'utilisation à l'extérieur qui, après examen par MILWAUKEE, s'est affectée d'un vice de matériel ou de main d'œuvre pendant une période de très (3) ans après la date d'achat, sauf indication contraire. Retourner l'outil motorisé d'utilisation à l'extérieur à un centre de réparations en usine MILWAUKEE ou à un poste d'entretien agréé MILWAUKEE, en port prépayé et assuré. Une copie de la preuve d'achat doit être présentée lors du retour du produit. Cette garantie ne couvre pas les dommages que MILWAUKEE détermine d'être causés par des réparations ou des tentatives de réparation par quiconque autre que le personnel agréé par MILWAUKEE, des utilisations incorrectes, des altérations, des utilisations abusives, une usure normale, une carence d'entretien ou les accidents.

Usure normale : Plusieurs produits motorisés d'utilisation à l'extérieur doivent être soumis à la substitution périodique des leurs pièces ainsi que de l'entretien afin d'achever leur performance maximale. Cette garantie ne considère pas les réparations lorsque l'utilisation régulière ait épuisé la vie d'une pièce, y compris, mais sans s'y limiter, la tête de coupe, les lignes de coupe, les lames, les chaînes, les tubes de soufflante, les brosses, les joints toriques et les sceaux.

\* Cette garantie ne considère pas les blocs-piles portatifs ni les produits reconditionnés. Il existe des garanties distinctes pour ces produits. MILWAUKEE n'assume aucun frais de transport ou de main d'œuvre liés à l'inspection et à la vérification des produits motorisés d'utilisation à l'extérieur qui, de l'avis de MILWAUKEE, ne donnent pas droit à une réclamation au titre de la garantie. Pour être admissible, une réclamation au titre de la garantie doit être justifiée par un vice de matériel ou de main d'œuvre découvert par MILWAUKEE.

L'ACCEPTATION DES RECOURS EXCLUSIFS DE RÉPARATION ET DE REMPLACEMENT DÉCRITS PAR LA PRÉSENTE EST UNE CONDITION DU CONTRAT D'ACHAT DE TOUT PRODUIT MILWAUKEE. SI VOUS N'ACCEPTÉZ PAS CETTE CONDITION, VOUS NE DEVEZ PAS ACHETER LE PRODUIT. EN AUCUN CAS MILWAUKEE NE SAURAIT ÊTRE RESPONSABLE DE TOUT DOMMAGE ACCESSOIRE, SPÉCIAL OU INDIRECT, DE DOMMAGES-INTÉRÊTS PUNITIFS OU DE TOUTE DÉPENSE, D'HONORAIRES D'AVOCATS, DE FRAIS, DE PERTE OU DE DÉLAIS ACCESSOIRES À TOUT DOMMAGE, DÉFAILLANCE OU DÉFAUT DE TOUT PRODUIT, Y COMPRIS NOTAMMENT LES PERTES DE PROFIT. CERTAINS ÉTATS ET PROVINCES NE PERMETTANT L'EXCLUSION OU LA LIMITATION DES DOMMAGES DIRECTS OU INDIRECTS, LES RESTRICTIONS CI-DESSOUS PEUVENT NE PAS ÊTRE APPLICABLES. CETTE GARANTIE EST EXCLUSIVE ET REMPLACE TOUTE AUTRE GARANTIE EXPRESSE, QU'ELLE SOIT VERBALE OU ÉCRITE. DANS LA MESURE PERMISE PAR LA LOI, MILWAUKEE RENONCE À TOUTE GARANTIE IMPLICITE, Y COMPRIS, SANS S'Y LIMITER, TOUTE GARANTIE IMPLICITE DE QUALITÉ MARCHANDE OU D'ADAPTATION À UNE UTILISATION OU À UNE FIN PARTICULIÈRE. DANS LA MESURE OU UNE TELLE STIPULATION D'EXONÉRATION N'EST PAS PERMISE PAR LA LOI, LA DURÉE DE CES GARANTIES IMPLICITES EST LIMITÉE À LA PÉRIODE APPLICABLE DE LA GARANTIE EXPRESSE, TEL QUE CELA EST DÉCRIT PRÉCÉDEMMENT. CERTAINS ÉTATS ET PROVINCES NE PERMETTANT PAS DE LIMITATION DE DURÉE DES GARANTIES IMPLICITES, LES RESTRICTIONS CI-DESSOUS PEUVENT NE PAS ÊTRE APPLICABLES. LA PRÉSENTE CONFÈRE À L'UTILISATEUR DES DROITS LÉGAUX PARTICULIERS ; IL BÉNÉFICIE ÉGALEMENT D'AUTRES DROITS QUI VARIENT D'UN ÉTAT À L'AUTRE. Cette garantie s'applique aux produits vendus aux États-Unis et au Canada uniquement.

Veillez consulter l'onglet « Trouver un centre Service », dans la section « Pièces et service » du site web de MILWAUKEE, à l'adresse [www.milwaukeekeetool.fr](http://www.milwaukeekeetool.fr), ou composer le 1-800-SAWDUST (1-800-729-3878) afin de trouver le centre de service de votre région le plus proche pour l'entretien, sous garantie ou non, de votre outil électrique Milwaukee

## GARANTIE LIMITÉE - MEXIQUE, AMÉRIQUE CENTRALE ET Caraïbes

TECHTRONIC INDUSTRIES® garantit le produit pendant 3 ans à partir de la date d'achat d'origine.

Le présent bon de garantie couvre tous les vices de matériel et de fabrication que peut afficher ce produit.

Pour assurer la validité de la présente garantie, veuillez présenter ce bon de garantie, estampillé du sceau du distributeur ou du magasin où le produit a été acheté, au centre de réparations agréé. Si le bon de garantie n'a pas été estampillé, veuillez fournir la preuve d'achat d'origine au centre de réparations agréé.

Pour un entretien des pièces, des accessoires ou des composants, composer 55 4160-3547 afin d'obtenir les coordonnées du centre de réparations agréé le plus près.

## Procédure pour assurer la validité de la garantie

Présenter le produit au centre de réparations agréé, accompagné du bon de garantie estampillé du sceau du distributeur ou du magasin où le produit a été acheté. Toute pièce défectueuse ou tout composant défectueux sera remplacé(e) sans frais. Milwaukee assume tous les frais de transport liés à ce processus de garantie.

## Exceptions

Cette garantie ne s'applique pas dans les situations suivantes :

- a) Si le produit a été utilisé pour une fin autre que celle indiquée dans le guide de l'utilisateur final ou le manuel d'instructions.
- b) Si les conditions d'utilisations ne sont pas habituelles.
- c) Si le produit a été modifié ou réparé par une personne non autorisée par TECHTRONIC INDUSTRIES.

**Remarque :** Si le cordon électrique est endommagé, il doit être remplacé par un centre de réparations agréé pour éviter les risques d'électrocution.

## CENTRE DE RÉPARATIONS ET DE SERVICE

Composer le 55 4160-3547

IMPORTÉ ET COMMERCIALISÉ PAR

TECHTRONIC INDUSTRIES, MEXIQUE, S.A. DE C.V.  
Miguel de Cervantes Saavedra No.301 Piso 5, Torre Norte  
11520 Colonia Ampliación Granada  
Miguel Hidalgo, Ciudad de Mexico, Mexico

Modèle : \_\_\_\_\_

Date d'achat : \_\_\_\_\_

Sceau du distributeur ou du magasin : \_\_\_\_\_

## ADVERTENCIAS DE SEGURIDAD GENERALES PARA LA HERRAMIENTA ELÉCTRICA

**ADVERTENCIA** Lea todas las advertencias de seguridad, instrucciones, ilustraciones y especificaciones con esta herramienta eléctrica. Si no sigue todas las advertencias e instrucciones, se pueden provocar una descarga eléctrica, un incendio o lesiones graves. **Guarde todas las advertencias e instrucciones para consultarlas en el futuro.** El término "herramienta eléctrica" en todas las advertencias incluidas más abajo se refiere a su herramienta operada por conexión (cable) a la red eléctrica o por medio de una batería (inalámbrica).

## SEGURIDAD EN EL ÁREA DE TRABAJO

- **Mantenga el área de trabajo limpia y bien iluminada.** Las áreas desordenadas u oscuras son propicias para los accidentes.
- **No utilice herramientas eléctricas en atmósferas explosivas, tales como en presencia de líquidos, gases o polvos inflamables.** Las herramientas eléctricas generan chispas que pueden encender el polvo o los vapores.
- **Mantenga a los niños y a los espectadores alejados mientras utiliza una herramienta eléctrica.** Las distracciones pueden ocasionar la pérdida de control.

## SEGURIDAD ELÉCTRICA

- **Los enchufes de la herramienta eléctrica deben coincidir con el tomacorriente.** Nunca modifique el enchufe de ninguna manera. No utilice adaptadores de enchufe con herramientas eléctricas aterrizadas. Los enchufes y tomacorrientes correspondientes sin modificar reducirán el riesgo de descarga eléctrica.
- **Evite el contacto corporal con superficies aterrizadas, tales como tuberías, radiadores, estufas y refrigeradores.** Existe un riesgo mayor de descarga eléctrica si su cuerpo está aterrizado.

- **No exponga las herramientas eléctricas a la lluvia ni a condiciones húmedas.** Si se introduce agua en una herramienta eléctrica, aumentará el riesgo de descarga eléctrica.
- **No maltrate el cable.** Nunca utilice el cable para cargar, jalar o desconectar la herramienta eléctrica. **Mantenga el cable alejado del calor, el aceite, los bordes afilados o las partes en movimiento.** Los cables dañados o enredados aumentan el riesgo de descarga eléctrica.
- **Al utilizar una herramienta eléctrica en exteriores, utilice una extensión adecuada para uso en exteriores.** El uso de una extensión adecuada para el uso en exteriores disminuye el riesgo de descarga eléctrica.
- **Si es inevitable utilizar una herramienta eléctrica en un lugar húmedo, utilice un alimentador de corriente protegido con un interruptor de circuito por falla de conexión a tierra (GFCI).** El uso de un GFCI reduce el riesgo de descarga eléctrica.

## SEGURIDAD PERSONAL

- **Manténgase alerta, atento a lo que está haciendo y utilice el sentido común al utilizar una herramienta eléctrica.** No utilice una herramienta eléctrica mientras está cansado o bajo la influencia de drogas, alcohol o medicamentos. Un momento de distracción al utilizar herramientas eléctricas puede ocasionar lesiones personales graves.
- **Utilice equipo de protección personal.** Siempre use protección para los ojos. El equipo de protección, tal como una máscara contra polvo, calzado antideslizante, casco o protección auditiva, utilizado para condiciones adecuadas disminuirá las lesiones personales.
- **Evite el arranque accidental.** Asegúrese de que el interruptor esté en la posición de apagado antes de conectarlo a una fuente de poder y/o batería, levantar o trasladar la herramienta. Trasladar herramientas con el dedo en el interruptor o energizar herramientas eléctricas que tienen el interruptor encendido propicia accidentes.
- **Retire cualquier llave de ajuste antes de entender la herramienta.** Una llave que se deje insertada en una parte giratoria de la herramienta eléctrica puede ocasionar lesiones personales.
- **No estire el cuerpo demasiado.** Mantenga un buen contacto entre los pies y el suelo y mantenga el equilibrio en todo momento. Esto permite un mejor control de la herramienta eléctrica en situaciones inesperadas.
- **Vístase adecuadamente.** No utilice ropa o joyería holgada. Mantenga el cabello y la ropa alejados de las partes móviles. La ropa holgada, las alhajas o el cabello largo pueden quedarse atrapados en las partes móviles.
- **Si se proporcionan dispositivos para la conexión de instalaciones de extracción y recolección de polvo, cerciórese de que estén conectados y se utilicen correctamente.** El uso de dispositivos recolectores de polvo puede disminuir los riesgos relacionados con el polvo.
- **No permita que la familiaridad por el uso frecuente de las herramientas lo hagan sentirse seguro e ignoren los principios de seguridad de las herramientas.** Un descuido puede provocar lesiones graves en una fracción de segundo.

## USO Y CUIDADO DE LAS HERRAMIENTAS ELÉCTRICAS

- **No fuerce la herramienta eléctrica.** Utilice la herramienta eléctrica correcta para su aplicación. La herramienta eléctrica correcta realizará el trabajo mejor y con mayor seguridad a la velocidad para la que fue diseñada.
- **No utilice la herramienta eléctrica si el interruptor no la enciende y la apaga.** Cualquier herramienta eléctrica que no pueda controlarse con el interruptor es peligrosa y debe repararse.
- **Desconecte el enchufe de la fuente de energía y/o quite la batería de la herramienta eléctrica, si es posible, antes de realizar cualquier ajuste, cambiar accesorios o almacenar las herramientas eléctricas.** Tales medidas preventivas de seguridad disminuyen el riesgo de que la herramienta eléctrica se encienda accidentalmente.
- **Almacene las herramientas eléctricas que no se estén utilizando fuera del alcance de los niños y no permita que personas que no estén familiarizadas con la herramienta eléctrica o con estas instrucciones la utilicen.** Las herramientas eléctricas son peligrosas en manos de usuarios sin capacitación.
- **Dé mantenimiento a las herramientas eléctricas y accesorios.** Verifique que no haya desalineación, amarre de partes móviles, partes rotas o alguna otra condición que pueda afectar el funcionamiento de la herramienta eléctrica. Si se daña, asegúrese de que la herramienta eléctrica sea reparada antes de que se utilice. Muchos accidentes son ocasionados por herramientas eléctricas con mantenimiento deficiente.
- **Mantenga las herramientas de corte afiladas y limpias.** Las herramientas de corte correctamente mantenidas con bordes de corte afilados son menos propensas a atorarse y son más fáciles de controlar.
- **Utilice la herramienta eléctrica, los accesorios y las puntas, etc. de acuerdo con estas instrucciones, tomando en cuenta las condiciones de trabajo y el trabajo a realizar.** El uso de la herramienta eléctrica para operaciones diferentes a las previstas podría generar una situación peligrosa.
- **Mantenga las empuñaduras y ñas superficies de sujeción secas, limpias y libres de aceite y grasa.** Las empuñaduras y superficies de sujeción resbalosas no permiten el manejo y control seguros de la herramienta en situaciones inesperadas.

## USO Y CUIDADO DE LAS HERRAMIENTAS CON BATERÍA

- **Recargue únicamente con el cargador especificado por el fabricante.** Un cargador que es adecuado para un tipo de batería puede crear un riesgo de incendio si se utiliza con otra batería.
- **Utilice las herramientas eléctricas únicamente con baterías específicamente diseñadas.** El uso de cualquier otra batería puede producir un riesgo de lesiones e incendio.
- **Cuando la batería no esté en uso, manténgala alejada de otros objetos metálicos como sujetapapeles, monedas, llaves, clavos, tornillos u otros objetos metálicos pequeños que puedan formar una conexión de una terminal a otra.** Crear un corto entre las terminales de la batería puede ocasionar quemaduras o un incendio.
- **Bajo condiciones de maltrato, el líquido puede ser expulsado de la batería, evite el contacto.** En caso de contacto accidental, lave con agua. Si el líquido entra en contacto con los ojos, busque

además ayuda médica. El líquido expulsado de la batería puede causar irritación o quemaduras.

- **No use una batería o herramienta que se haya dañado o modificado.** Las baterías dañadas o modificadas pueden mostrar un comportamiento impredecible, causando incendios, explosión o riesgo de lesión.
- **No exponga una batería o herramienta al fuego o a temperatura excesiva.** La exposición a fuego o temperatura a más de 130° C (265° F) puede causar explosiones.
- **Siga todas las instrucciones de carga y no cargue la batería o la herramienta fuera del rango de temperatura especificado en las instrucciones.** La carga incorrecta o a temperaturas fuera del rango especificado puede dañar la batería y aumentar el riesgo de incendio.

## MANTENIMIENTO

- **Lleve su herramienta eléctrica a servicio con un técnico calificado que use únicamente piezas de reemplazo idénticas.** Esto asegurará que la seguridad de la herramienta eléctrica se mantenga.
- **Nunca dé servicio a baterías dañadas.** Únicamente el fabricante o proveedores de servicio autorizados deben dar servicio a las baterías.

## REGLAS ESPECÍFICAS DE SEGURIDAD PARA SIERRA PODADORA HATCHET

Advertencias generales de seguridad de la sierra podadora:

- **Mantenga todas las partes del cuerpo alejadas de la cadena de la sierra cuando la sierra podadora esté en operación. Antes de encender la sierra podadora, asegúrese de que la cadena de la sierra no tenga contacto con nada.** Un momento de distracción mientras opera sierras podadoras puede provocar que la cadena de la sierra se enrede en su vestimenta o cuerpo.
- **Sostenga la sierra podadora con la mano derecha en el mango del gatillo y la mano izquierda en el cuerpo de agarre.** Sostener la sierra podadora con una configuración de mano contraria aumenta el riesgo de lesiones personales.
- **Sostenga la sierra podadora únicamente de las superficies de agarre aisladas, ya que la cadena de la sierra puede entrar en contacto con cableado oculto.** Las cadenas de la sierra que entren en contacto con un cable que conduzca electricidad pueden hacer que las partes metálicas de la sierra podadora se electrifiquen y podrían ocasionar una descarga eléctrica al operador.
- **Use protección para los ojos. Se recomienda el uso de equipo protector auditivo, para la cabeza, manos, piernas y pies.** El equipo protector apropiado reducirá la posibilidad de lesiones por desechos que salgan volando o contacto accidental con la cadena de la sierra.
- **Siempre mantenga una posición correcta y opere la sierra podadora únicamente de pie sobre una superficie fija, segura y nivelada.** Las superficies resbalosas e inestables pueden provocar una pérdida de equilibrio o de control de la sierra podadora.
- **No opere la sierra podadora en un árbol, en una escalera, desde un techo o andamio a menos que esté capacitado correctamente para hacerlo.** Para prevenir la muerte o lesiones graves, el operador debe estar capacitado en técnicas seguras de escalación y en el uso de todo el equipo de seguridad apropiado.
- **Al cortar una rama bajo tensión, esté alerta del rebote.** Cuando se libera la tensión en las fibras de

la madera, la rama cargada de recuperación elástica podría rebotar hacia el operador y aventar la sierra podadora fuera de control.

- **Tenga extrema precaución cuando corte maleza y brinzales.** El fino material puede atorarse en la cadena de la sierra y puede azotarse hacia usted o desbalancearlo.
- **Aleje la sierra podadora de su cuerpo y con su dedo sin tocar el gatillo. Cuando transporte o almacene la sierra podadora, siempre coloque la cubierta de la barra guía.** El manejo correcto de la sierra podadora reducirá la probabilidad de un contacto accidental con la cadena de la sierra en movimiento.
- **Siga las instrucciones de lubricación, tensión de la cadena, y cambio de la barra y la cadena.** La cadena tensada o lubricada incorrectamente puede romperse o aumentar la posibilidad de un contragolpe.
- **Corte únicamente madera. No use la sierra podadora para fines que no sean los indicados. Por ejemplo: no utilice la sierra podadora para cortar metal, plástico, mamposta o materiales de construcción que no sean de madera.** El uso de la sierra podadora para operaciones diferentes a las previstas podría generar una situación peligrosa.
- **No intente talar un árbol hasta que haya entendido los riesgos y cómo evitarlos.** El operador o gente alrededor podrían sufrir una lesión grave mientras se tala un árbol.

**Causas y prevención de contragolpe del operador:** El contragolpe puede ocurrir cuando la nariz o punta de la barra guía toca un objeto, o cuando la madera se acerca y pellizca la cadena de la sierra en el corte. En algunos casos, el contacto de la punta puede provocar una reacción reversa repentina, golpeando la barra guía hacia arriba y hacia atrás hacia el operador. Pellizcar la cadena de la sierra por la parte superior de la barra guía puede empujar rápidamente la barra guía hacia el operador.

Cualquiera de estas dos reacciones puede provocar la pérdida de control de la sierra, lo cual podría provocar una lesión personal grave. No dependa exclusivamente de los dispositivos de seguridad incluidos en su sierra. Como usuario de una sierra podadora, debe seguir varios pasos para mantener sus trabajos de corte sin accidentes ni lesiones.

El contragolpe es el resultado del uso incorrecto de la sierra podadora o de procedimientos o condiciones de operación incorrectos y puede evitarse tomando las precauciones correspondientes que se indican a continuación:

- **Mantenga un agarre firme de la sierra podadora y posicione su cuerpo y sus brazos para permitirle resistir las fuerzas del contragolpe.** Las fuerzas del contragolpe pueden ser controladas por el operador si se toman las precauciones correctas. No suelte la sierra podadora.
- **No estire demasiado el cuerpo y no corte por encima de la altura del hombro.** Esto ayuda a evitar el contacto accidental de la punta y permite un mejor control de la sierra podadora en situaciones inesperadas.
- **Asegúrese de que el área en donde corte no esté obstruida.** No permita que la punta de la barra guía entre en contacto con un tronco, rama, valla o cualquier otra obstrucción que pudiera pegar mientras opera la sierra.
- **Siempre corte la unidad operando a velocidad completa. Apriete completamente el gatillo de potencia y mantenga una velocidad de corte constante.**

- **Utilice únicamente barras guía y cadenas de la sierra de reemplazo que especifique el fabricante.** El reemplazo incorrecto de las barras guía y cadenas de la sierra pueden provocar que se rompa la cadena o un contragolpe.
- **Siga las instrucciones de afilado y mantenimiento de la cadena de la sierra por parte del fabricante.** Disminuir la altura del indicador de profundidad puede conllevar a un contragolpe mayor.
- **Siga todas las instrucciones cuando retire material atascado, almacene o le dé servicio a la sierra podadora. Asegúrese de que esté apagado el interruptor y haya extraído la batería.** La operación inesperada de la sierra podadora mientras retira material atascado o le da servicio puede provocar lesiones personales graves.
- **Otras reglas de seguridad de la sierra podadora**
- **No comience a cortar hasta que tenga un área de trabajo sin obstáculos, su posición esté segura y tenga una vía de retiro planeada desde la pieza de trabajo que caerá.** Las áreas desordenadas son propicias para los accidentes.
- **Mantenga a TODOS los niños, personas alrededor, visitantes y animales alejados del área de trabajo mientras enciende o corta con la sierra podadora.**
- **Vístase adecuadamente. Utilice ropa que esté ajustada a su cuerpo.** Siempre utilice pantalones largos y pesados, mangas largas, overoles, pantalones de mezclilla o chaparreras hechos de material resistente a cortes, o los que contengan insertos resistentes a cortes. Utilice calzado antiderrapante de seguridad. Utilice guantes antiderrapantes de uso rudo para mejorar su agarre y proteger sus manos. No utilice joyería, pantalones cortos, sandalias ni opere descalzo. No utilice ropa holgada que pudiera acercarse al motor, o enredarse en la cadena o maleza pequeña. Recoja el pelo para que esté arriba de los hombros.
- **La ropa protectora pesada puede aumentar la fatiga del operador, que podría provocar una insolación.** Durante el clima caluroso y húmedo, el trabajo pesado debe programarse en horario muy temprano por la mañana o en la tarde cuando las temperaturas son más frescas.
- **Siempre utilice protección para ojos adecuada con protectores laterales marcada con la norma ANSI Z87.1 al operar la sierra podadora.**
- **Siempre sea consciente de lo que hace cuando utiliza la sierra podadora. Tenga sentido común.** No opere la sierra podadora mientras está cansado, enfermo o bajo la influencia de drogas, alcohol o medicamentos.
- **Mantenga todas las partes de su cuerpo alejadas de la cadena de la sierra cuando la unidad esté en operación.**
- **Nunca le permita a nadie utilizar su sierra podadora si no ha recibido las instrucciones adecuadas sobre su uso correcto.** Esto aplica a las sierras rentadas y privadas.
- **Antes de encender la unidad, asegúrese de que la cadena de la sierra no tenga contacto con ningún objeto.**
- **Detenga la sierra podadora antes de ponerla sobre una superficie.**
- **Conservar la unidad con cuidado.** Mantenga el borde de corte afilado y limpio para tener el mejor desempeño y reducir el riesgo de lesiones. Siga las instrucciones para lubricar y cambiar accesorios.



• **Mantenga un agarre firme en las superficies de agarre recomendadas.** Si no puede realizarse una operación con seguridad con las dos manos en la sierra, TENGA EXTREMA PRECAUCIÓN.

• **Durante las operaciones donde es necesario usar una mano, como para inmovilizar o controlar la pieza de trabajo/rama, guíe la pieza de trabajo alejada de usted o proporcione una mejor visibilidad al área de trabajo:**

- Mantenga la mano libre alejada de la cadena y fuera de la vía de corte.
- Mantenga un agarre firme en la rama que se cortará para evitar el "deslizamiento" o "rebote" de la sierra.
- Nunca corte por encima de la altura del hombro.
- No cruce los brazos ni se estire de más.
- Siempre corte alejado de usted.
- Evite la flexión o tensión excesiva en la rama que se cortará.

• **No opere una sierra podadora que esté dañada, mal ajustada, o no esté ensamblada por completo o con seguridad.** La cadena debe ir lento hasta detenerse cuando se libera el gatillo del interruptor. Si la cadena sigue girando después de liberar el gatillo de interruptor, lleve la unidad a que le den mantenimiento en un centro de servicio autorizado.

• **No fuerce la sierra podadora.** El trabajo puede realizarse mejor y en forma más segura a la velocidad para la cual fue diseñada.

• **Siempre use el producto correcto para su aplicación.** La sierra podadora debe usarse para cortar únicamente madera. Nunca use la sierra podadora para cortar plástico, mamposta o materiales de construcción que no sean de madera.

• **Tenga extrema precaución al cortar ramas delgadas, enredaderas o maleza pequeña.** El fino material puede atorarse en la cadena de la sierra y puede azotarse hacia usted o desbalancearlo. Recomendamos usar podadoras o cortadores de arbustos para estas operaciones.

• **Almacene la sierra podadora cuando no se esté utilizando.** La sierra podadora debe almacenarse en un área seca y alta o bloqueada, fuera del alcance de los niños. Al almacenar una sierra podadora, coloque la cubierta en la barra y la cadena.

• **Las unidades operadas con la batería no tienen que estar enchufadas a un tomacorriente eléctrico; por lo tanto, siempre están en condición de operación.** Sea consciente de posibles riesgos incluso cuando la unidad no está en operación.

• **Conserve estas instrucciones.** Haga referencia a ellas frecuentemente y úselas para instruir a los demás que puedan usar este producto. Si le presta este producto a alguien, también preste estas instrucciones.

• **Limpie la máquina con un trapo suave seco después de cada uso. Retire cualquier astilla, tierra y desechos en el compartimento de la batería.**

• **Siga las instrucciones de afilado y mantenimiento de la cadena de la sierra por parte del fabricante.** Disminuir la altura del indicador de profundidad puede conllevar a un contragolpe mayor.

• **Mantenga los mangos para sostener la herramienta secos, limpios, y libres de aceite y grasa.** Los mangos grasosos o con aceite son resbalosos y provocan la pérdida de control.

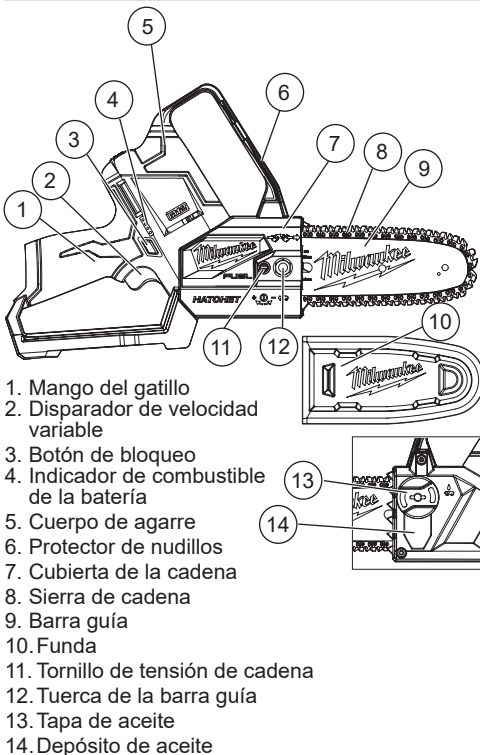
• **Válgase siempre de su sentido común y sea cuidadoso cuando utilice herramientas.** No es posible anticipar todas las situaciones que podrían tener un desenlace peligroso. No utilice esta herramienta si no entiende estas instrucciones de uso o si considera que el trabajo a realizar supera sus

capacidades, comuníquese con Milwaukee Tool o con un profesional capacitado para recibir capacitación o información adicional.

• **Conserve las etiquetas y las placas nominales.** Contienen información importante. Si son ilegibles o no están presentes, comuníquese con un centro de servicio MILWAUKEE para obtener un reemplazo gratuito.

• **ADVERTENCIA** Algunos polvos generados por el lijado eléctrico, aserrado, pulido, taladrado y otras actividades de construcción contienen químicos identificados como causantes de cáncer, defectos congénitos u otros daños reproductivos. Algunos ejemplos de estos químicos son: plomo de pintura basada en plomo • dióxido de silicio de los ladrillos y el cemento y otros productos de albañilería y • arsénico y cromo de madera con tratamiento químico. Su riesgo por estas exposiciones varía, dependiendo de la frecuencia con que realice este tipo de trabajo. Para reducir su exposición a estos químicos: trabaje en un área bien ventilada y trabaje con equipo de seguridad aprobado, como mascarillas protectoras contra polvo especialmente diseñadas para filtrar partículas microscópicas.

## DESCRIPCIÓN FUNCIONAL



1. Mango del gatillo
2. Disparador de velocidad variable
3. Botón de bloqueo
4. Indicador de combustible de la batería
5. Cuerpo de agarre
6. Protector de nudillos
7. Cubierta de la cadena
8. Sierra de cadena
9. Barra guía
10. Funda
11. Tornillo de tensión de cadena
12. Tuerca de la barra guía
13. Tapa de aceite
14. Depósito de aceite

## SIMBOLOGÍA



Volts



Corriente continua

n, XXXX min<sup>-1</sup>

Revoluciones por minuto sin carga (RPM)



Leer el manual del operador



Siempre utilice protectores de ojos y equipo protector personal apropiado.



Utilice calzado de seguridad antiderrapante



Use guantes de seguridad



Mantenga a los transeúntes a una distancia mínima de 15 m (50') durante su uso



No exponga la herramienta a la lluvia ni la utilice en áreas húmedas



Tenga EXTREMA PRECAUCIÓN durante las operaciones a una mano



Use la sierra podadora con las dos manos



Evite el contacto con la punta de la sierra



**PELIGRO** Tenga cuidado del contragolpe



Depósito de aceite para cadena



Dirección de la cadena



Ajuste de tensión de la cadena



UL Listing Mark para Canadá y Estados Unidos

## ESPECIFICACIONES

Cat. No.....	2527-20
Volts.....	12 CD
Tipo de batería .....	M12™
Tipo de cargador .....	M12™
RPM.....	2 650
Velocidad de la cadena .....	5 m/s (984 ft/min)
Longitud de la barra.....	152 mm (6")
Capacidad de corte .....	140 mm (5,5")
Capacidad del tanque de aceite para cadena .....	50 ml (1,7 oz)
Barra de replazo.....	49-16-2733
Medidor de cadena.....	1,1 mm (0,043")
Cadena de replazo .....	49-16-2732
Tipo de cadena .....	Contragolpe bajo
Echada de cadena.....	9,5 mm (3/8") Perfil bajo
Dientes de cadena.....	28
Temperatura ambiente recomendada para operar .....	-18°C a 50°C (0°F a 125°F)

## ENSAMBLAJE

**ADVERTENCIA** Recargue la batería sólo con el cargador especificado para ella. Para instrucciones específicas sobre cómo cargar, lea el manual del operador suministrado con su cargador y la batería.

### Como se inserta/quita la batería en la herramienta

Para retirar la batería, presione los botones de liberación y jale de la batería para sacarla de la herramienta.

**ADVERTENCIA** Para reducir el riesgo de lesiones, extraiga siempre la batería antes de acoplar o desacoplar accesorios. Para introducir la batería, deslícela en el cuerpo de la herramienta. Asegúrese de que quede bien firme en su posición.

**ADVERTENCIA** Utilice únicamente accesorios específicamente recomendados para esta herramienta. El uso de accesorios no recomendados podría resultar peligroso.

### Reemplazar/ajustar la cadena y la barra de la sierra

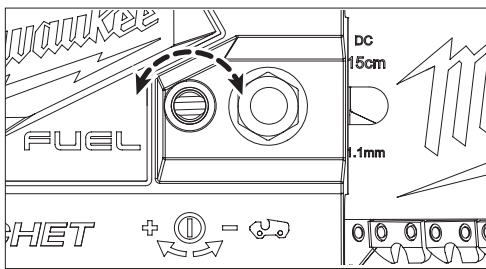
**ADVERTENCIA** Para reducir el riesgo de lesiones, extraiga siempre la batería antes de acoplar o desacoplar accesorios. La cadena está filosa. **PRECAUCIÓN** utilice guantes protectores cuando manipule la cadena.

Utilice cadenas de sierra de bajo contragolpe - los rastrillos (indicadores de profundidad) frente a cada cortador pueden minimizar la fuerza de una reacción de contragolpe al evitar que los cortadores entren muy profundo a la zona de contragolpe. Utilice solamente una cadena de reemplazo que sea equivalente a la cadena original o que la norma ANSI B175.1 la haya certificado como cadena de bajo contragolpe.

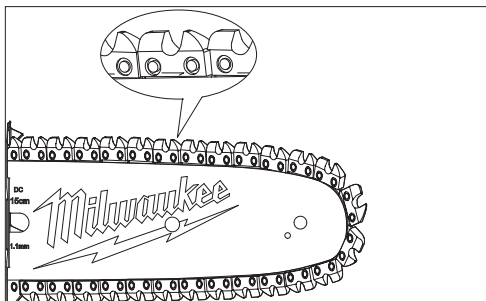
Al ir afilando las cadenas de la sierra durante su vida útil, pierden parte de las cualidades de bajo contragolpe y debe tenerse más precaución.

1. Retire la batería.
2. Coloque la sierra sobre una superficie plana y firme.
3. Retire la cubierta del accionador retirando las tuercas de la barra guía con la herramienta de ajuste.

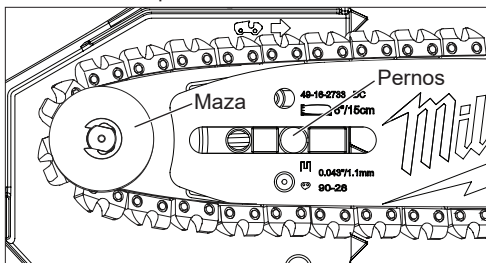




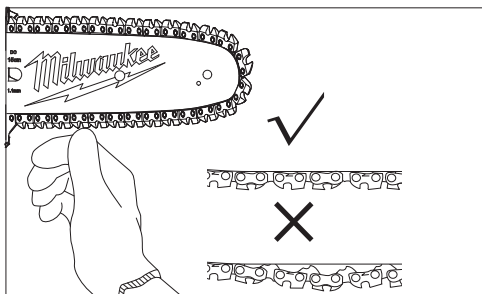
- Aloje la cadena girando el tornillo para tensar la cadena hacia la izquierda con la herramienta de ajuste.
- Jale la barra guía de los pernos y saque la cadena de la maza. ¡PRECAUCIÓN! La cadena de la sierra está filosa.
- Retire la cadena de la ranura de la barra guía. ¡PRECAUCIÓN! La cadena de la sierra está filosa. Revise que la barra guía no tenga grietas ni esté desgastada; reemplace si está dañada.
- Coloque la cadena nueva o afilada alrededor de la barra guía en la dirección que indica la sierra



- Asegúrese de que la cadena esté colocada correctamente en la ranura alrededor de toda la barra guía.
- Ajuste la cadena alrededor de la maza y ajuste la barra con los pernos.



- Reemplace la cubierta del accionador.
- Utilice la herramienta de ajuste para girar el tornillo tensor de la cadena y aumentar la tensión (hacia la derecha) hasta que la cadena esté ajustada alrededor de la barra guía.
  - La tensión es correcta cuando la cadena entra a presión después de tirarla 3,18 mm (1/8") alejada de la barra guía. La cadena no debe verse caída de ninguna parte.



- No tense de más la cadena; el exceso de tensión provocará el desgaste excesivo y reducirá la vida de la cadena, además podría dañar la barra.
  - Las cadenas nuevas pueden estirarse y aflojarse durante el uso inicial. **NOTA:** Extraiga la batería y revise frecuentemente la tensión de la cadena en las primeras dos horas de uso.
- Apriete fuertemente las tuercas de la barra guía.

### Aceite para la cadena

**ADVERTENCIA** Para reducir el riesgo de lesiones, extraiga siempre la batería antes de acoplar o desacoplar accesorios.

**AVISO** Llene el tanque con aceite para la cadena (no está incluido) antes de encender la sierra podadora y cuando el tanque tenga menos de 1/4 lleno. No lubricar la cadena provocará daños a la barra y a la cadena.

Revise frecuentemente el nivel de aceite y llene el tanque del aceite después de cada descarga completa de la batería. Utilice un aceite para la cadena de buena calidad. El aceite mantendrá la cadena de la sierra y la barra guía lubricadas correctamente. Nunca opere la sierra sin aceite para la cadena. Mantenga el tanque a más de 1/4 lleno para asegurarse de que haya suficiente aceite disponible para el trabajo. Siempre lubrique ligeramente la cadena cuando almacene la herramienta para prevenir que se oxide. Siempre vacíe el tanque de aceite cuando almacene la herramienta para prevenir que se derrame.

**NOTA:** Se recomienda utilizar aceite para la cadena de base vegetal al podar árboles. El aceite mineral puede dañar los árboles. Nunca utilice aceite automotriz sobrante ni aceites muy espesos. Estos podrían dañar la sierra podadora.

### Llenar el tanque de aceite

- Retire la batería.
- Coloque la sierra sobre una superficie plana y firme con la hoja hacia abajo.
- Desenrosque la tapa del aceite.
- Llene cuidadosamente el tanque con aceite para la cadena.
- Cierre con fuerza la tapa del aceite.
- Repita según sea necesario durante el uso.
- Revise frecuentemente que la cadena de la sierra lubrique correctamente:
  - Con el tanque lleno, sostenga la sierra podadora con la punta de la barra guía apuntando hacia una superficie de color claro.
  - Opere la sierra podadora durante aproximadamente 30 segundos.
  - Deberá aparecer una línea de aceite en la superficie clara.

- Si no aparece, retire y limpie muy bien la barra guía. Asegúrese de que el piñón de la barra guía (en la punta) gire libremente.
- Si el sistema de lubricación todavía no funciona correctamente, comuníquese con una instalación de servicio MILWAUKEE.

### Transporte de la sierra

Antes de transportarla, siempre:

- Retire la batería.
- Coloque la cubierta sobre la barra guía.

### OPERACION

**ADVERTENCIA** Con el fin de minimizar el riesgo de lesiones, siempre utilice la protección de ojos adecuada indicada para cumplir con lo dispuesto en la norma ANSI Z87.1.

Al momento de realizar trabajos en situaciones donde haya presencia de polvo, utilice la protección respiratoria adecuada o utilice una solución de extracción de polvo que cumpla con los requisitos de la OSHA.

**PELIGRO** Nunca corte los cables de alimentación, cables eléctricos u otras fuentes eléctricas. Si la barra y la cadena se atascan en algún cable eléctrico o de alimentación, ¡NO TOQUE LA BARRA NI LA CADENA! PUEDEN TENER CORRIENTE ELÉCTRICA VIVA Y SER MUY PELIGROSAS. Continúe sosteniendo la sierra podadora por las superficies de agarre aisladas o colóquela sobre una superficie alejada de usted de manera segura. Desconecte el servicio eléctrico al cable dañado antes de intentar liberar la barra y la cadena del cable. El contacto con la barra, cadena otras partes conductoras de la sierra podadora o cables eléctricos "vivos" provocará la muerte por electrocución, choque eléctrico o lesiones personales graves.

**ADVERTENCIA** Lea y comprenda todas las instrucciones. No seguir todas las instrucciones que se enumeran a continuación podría provocar una descarga eléctrica, incendio o lesiones graves.

- Protéjase del contragolpe, que puede provocar lesiones graves o la muerte. Conozca las instrucciones de seguridad importantes sobre la "protección para el contragolpe" para evitar el riesgo de un contragolpe.
- Siempre utilice protección para ojos adecuada con protectores laterales marcada con la norma ANSI Z87.1 al operar la sierra podadora. No hacerlo puede causar que objetos caigan a sus ojos y otras posibles lesiones graves.
- No estire demasiado el cuerpo. No corte por encima de la altura del hombro. Asegúrese de que su posición en el suelo sea firme. Mantenga los pies separados. Divida su peso uniformemente en ambos pies.
- Siempre mantenga una posición correcta y opere la sierra podadora únicamente de pie sobre una superficie fija, segura y nivelada. Las superficies resbalosas e inestables pueden provocar una pérdida de equilibrio o de control de la sierra podadora.

**No opere la sierra podadora en un árbol, en una escalera, desde un techo o andamio a menos que esté capacitado correctamente para hacerlo.** Para prevenir la muerte o lesiones graves, el operador debe estar capacitado en técnicas seguras de escalación y en el uso de todo el equipo de seguridad apropiado.

**No permita que el conocimiento que tiene de este producto lo vuelva descuidado. Recuerde que, una fracción de segundo de descuido es suficiente para provocar una lesión grave.**

**Sostenga la sierra podadora con la mano derecha en el mango del gatillo y la mano izquierda en el cuerpo de agarre.** Sostener la sierra podadora con una configuración de mano contraria aumenta el riesgo de lesiones personales.

**Durante las operaciones donde es necesario usar una mano, como para inmovilizar o controlar la pieza de trabajo/rama, guíe la pieza de trabajo alejada de usted o proporcione una mejor visibilidad al área de trabajo:**

- Mantenga la mano libre alejada de la cadena y fuera de la vía de corte.
- Mantenga un agarre firme en la rama que se cortará para evitar el "deslizamiento" o "rebote" de la sierra.
- Nunca corte por encima de la altura del hombro.
- No cruce los brazos ni se estire de más.
- Siempre corte alejado de usted.
- Evite la flexión o tensión excesiva en la rama que se cortará.

**Nunca permita que alguna parte de su cuerpo esté alineada con la barra guía al operar la sierra podadora.**

**Nunca opere mientras está en una posición incómoda o sobre otra superficie inestable. Puede perder el control de la sierra, provocando lesiones graves.**

**Hacer un corte con un diámetro mayor a la capacidad de corte de la sierra requiere técnicas avanzadas y solo deben realizarlo profesionales con una capacitación apropiada. Hacer estos cortes puede causar un accidente que podría provocar la muerte o lesiones personales graves.**

**Mantenga la sierra podadora operando a velocidad completa siempre que esté cortando.**

**Permita que la cadena haga el corte por usted. Ejercer solo una presión ligera. No presione la sierra podadora al final del corte.**

**No utilice ningún accesorio o aditamento que no recomiende el fabricante. El uso de accesorios no recomendados puede causar lesiones personales graves.**

### Indicador de carga

Para determinar la cantidad de carga que queda en la batería, encienda la herramienta. El medidor de combustible se iluminará durante 2-3 segundos. Cuando se deja menos del 10% de carga, 1 luz en el medidor de combustible parpadeará 4 veces.

Para indicar el final de la carga, 1 luz en el medidor de combustible parpadeará 8 veces y la herramienta no funcionará. Cargue el paquete de baterías.

Si la batería se calienta demasiado, las luces del medidor de combustible parpadearán en un patrón alterno y la herramienta no funcionará. Deje que la batería se enfríe.

## Contragolpe

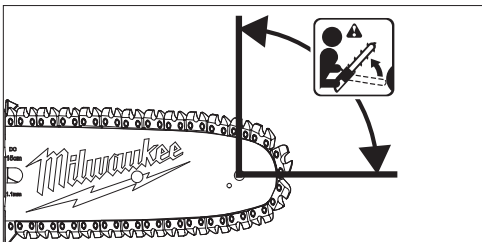


**ADVERTENCIA** El contragolpe puede ocurrir cuando la nariz o punta de la barra guía toca un objeto, o cuando la madera se acerca y pellizca la cadena de la sierra en el corte.

En algunos casos, el contacto de la punta puede provocar una reacción reversa repentina, golpeando la barra guía hacia arriba y hacia atrás hacia el operador.

Pellizcar la cadena de la sierra por la parte superior de la barra guía puede empujar rápidamente la barra guía hacia el operador.

Cualquiera de estas dos reacciones puede provocar la pérdida de control de la sierra, lo cual podría provocar una lesión personal grave. No dependa exclusivamente de los dispositivos de seguridad incluidos en su sierra. Como usuario de una sierra podadora, debe seguir varios pasos para mantener sus trabajos de corte sin accidentes ni lesiones.



Con una comprensión básica del contragolpe, usted puede reducir o eliminar el elemento sorpresa. Las sorpresas repentinas contribuyen a los accidentes.

•Mantenga una posición segura y equilibrada adecuada en todo momento.



Mantenga un agarre firme de la sierra podadora y posicione su cuerpo y sus brazos para permitirle resistir las fuerzas del contragolpe. Las fuerzas del contragolpe pueden ser controladas por el operador si se toman las precauciones correctas. No suelte la sierra podadora.

•No estire demasiado el cuerpo y no corte por encima de la altura del hombro. Esto ayuda a evitar el contacto accidental de la punta y permite un mejor control de la sierra podadora en situaciones inesperadas.

•Asegúrese de que el área en donde corte no esté obstruida. No permita que la punta de la barra guía entre en contacto con un tronco, rama, valla o cualquier otra obstrucción que pudiera pegar mientras opera la sierra.

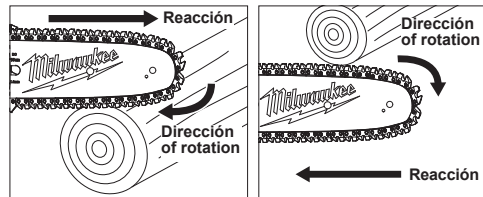
•Siempre corte la unidad operando a velocidad completa. Apriete completamente el gatillo de potencia y mantenga una velocidad de corte constante.

•Utilice únicamente barras guía y cadenas de la sierra de reemplazo que especifique el fabricante. El reemplazo incorrecto de las barras guía y cadenas de la sierra pueden provocar que se rompa la cadena o un contragolpe.

•Siga las instrucciones de afilado y mantenimiento de la cadena de la sierra por parte del fabricante. Disminuir la altura del indicador de profundidad puede conllevar a un contragolpe mayor.

•Siga todas las instrucciones cuando retire material atascado, almacene o le dé servicio a la sierra podadora. Asegúrese de que esté apagado el interruptor y haya extraído la batería. La operación inesperada de la sierra podadora mientras retira material atascado o le da servicio puede provocar lesiones personales graves.

•Empuje y tracción: esta fuerza de reacción siempre es opuesta a la dirección en la que se mueve la cadena cuando se hace contacto con la madera. Por esto, el operador debe estar listo para controlar la TRACCIÓN al cortar con el borde inferior de la barra, y EMPUJAR cuando se corte por el borde superior.



## Encender/apagar la herramienta

**ADVERTENCIA** Sostenga la sierra podadora con la mano derecha en el mango del gatillo y la mano izquierda en el cuerpo de agarre. Posicione su cuerpo y brazos para permitirle resistir las fuerzas de contragolpe. Un agarre fuerte con un brazo izquierdo rígido le ayudará a mantener el control de la sierra en caso de un contragolpe. Mantenga el cuerpo hacia la izquierda de la línea de la cadena. Nunca coloque la sierra o la cadena entre las piernas ni se estire más allá de la línea de la cadena.



Utilice guantes antiderrapantes para tener el mejor agarre y protección.

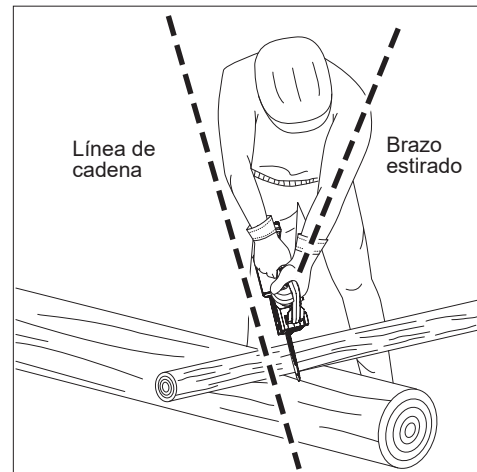
1. Inserte la batería.
2. Sostenga ambos mangos con firmeza, manteniendo el cuerpo fuera de la línea con la cadena.
3. Oprima el botón de desbloqueo y jale el gatillo.
4. Permita que la sierra podadora llegue a la velocidad más alta antes de hacer contacto con la pieza de trabajo.
5. Para detener, suelte el gatillo. Sostenga la sierra hasta que la cadena se detenga por completo.

**ADVERTENCIA** Nunca intente bloquear el gatillo en la posición de encendido en ON.

## Postura adecuada para cortes

**ADVERTENCIA** Siempre utilice la postura correcta para cortar descrita en esta sección. Nunca se arrodille al usar la sierra podadora, excepto cuando tale un árbol. Arrodillarse podría causar la pérdida de estabilidad y control de la sierra podadora, provocando lesiones personales graves.

- Debe distribuir su peso en ambos pies sobre un suelo sólido.
- Mantenga el codo izquierdo estirado y firme para resistir la fuerza de contragolpe.
- Su cuerpo debe estar siempre ubicado en la parte izquierda de la línea de la cadena.
- El pulgar debe ubicarse en la parte inferior del manillar.



## Procedimiento básico de corte

Practique cortar algunos troncos pequeños usando la técnica que se indica a continuación para así familiarizarse con el uso de la sierra antes de realizar una operación de corte más grande.

- Adopte la postura correcta frente a la madera con la sierra apagada.
- Presione el disparador de encendido y deje que la sierra acelere hasta su máxima velocidad antes de realizar el corte.
- Empiece a cortar con la sierra colocada contra el tronco.
- Mantenga la unidad encendida durante todo el tiempo que realice el corte, a una velocidad constante.
- Permita que la sierra realice el corte por usted; únicamente ejerza una mínima presión hacia abajo.

Si fuerza el corte, podría provocar que se generen daños en la barra, la cadena o la unidad misma.

- Suelte el disparador de encendido tan pronto como haya realizado el corte, para así dar tiempo a que se detenga la cadena. Si corre la sierra sin tener ninguna carga de corte, podría ocurrir un desgaste innecesario en la cadena, la barra y la unidad misma.
- No ejerza presión en la sierra de cadena durante el corte final.

## Precauciones del área de trabajo

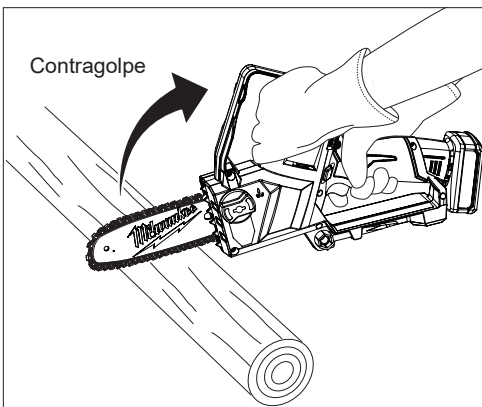
- Corte únicamente madera o materiales hechos de madera; no corte lámina de metal, plástico, mamposta ni materiales de construcción que no sean de madera.
- Nunca permita que los niños operen la sierra. No permita a ninguna persona utilizar esta sierra podadora si no ha leído este Manual del operador ni ha recibido instrucciones adecuadas para el uso seguro y adecuado de esta sierra podadora.
- No intente talar un árbol o brinjal con un diámetro mayor a 76,20 mm (3") de diámetro. Para prevenir la muerte o lesiones graves, el operador debe estar capacitado en técnicas seguras de talar de árboles, en el uso de todo el equipo de seguridad apropiado y uso de una sierra podadora apta para la aplicación.
- Siempre corte con ambos pies puestos en suelo sólido para así evitar que pierda el equilibrio.
- No corte por encima de los hombros ya que, al sostener la sierra a una altura mayor, resulta difícil controlarla contra las fuerzas de contragolpe.
- No tale árboles cerca de edificios o cableado eléctrico. Contrate a profesionales para realizar este trabajo.
- Únicamente realice cortes cuando tenga la visibilidad y la luz adecuada para que pueda ver con claridad.
- Revise el área de trabajo para ver si hay peligros como abejas, roedores, serpientes, etc., que pueden vivir en árboles o matorrales.

## Leño

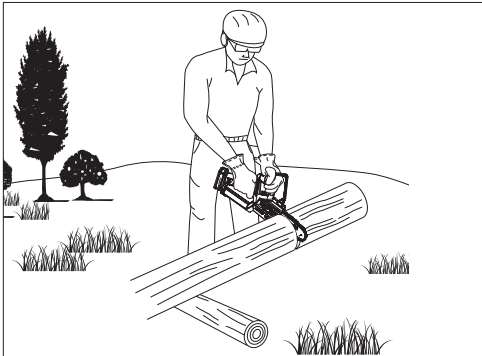
El término leño se utiliza cuando se corta un árbol caído en la longitud de leños deseada.

- Asegúrese siempre de que sus pies estén bien plantados y su peso esté distribuido uniformemente sobre ambos pies.
- Corte sólo un leño a la vez.
- Recargue los leños pequeños contra el caballete de la sierra o sobre otro leño mientras hace el leño.
- Mantenga despejada el área de corte. Asegúrese de que no haya ningún objeto que pueda entrar en contacto con la punta de la barra guía y la cadena durante las labores de corte, lo que podría provocar contragolpe.
- Nunca deje que nadie sostenga el leño durante las labores de corte.
- Nunca estabilice un leño con la pierna ni con el pie





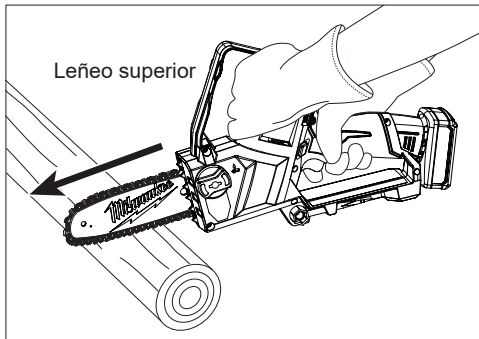
•Al realizar un corte de leñado en una pendiente, siempre colóquese cuesta arriba del tronco. Para mantener un control total de la sierra podadora al cortar un tronco, libere la presión de corte antes de finalizar el corte sin relajar su agarre de las superficies de agarre. No permita que la cadena entre en contacto con el suelo. Después de completar el corte, espere a que la cadena de la sierra se detenga antes de mover la sierra podadora. Siempre detenga el motor.



•En algunas ocasiones resulta imposible evitar los pellizcos (sólo con técnicas de corte convencionales) o es difícil predecir de qué forma se asentará el leño cuando corte. Para evitar que se produzcan pellizcos durante las labores de corte, gire o mueva el leí para que esto no pase.

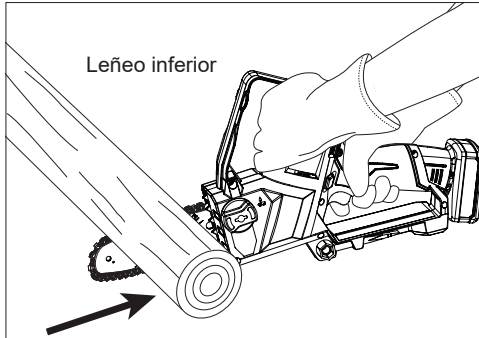
## Tipos de cortes empleados

### Leño superior (corte transversal)



Empiece en el extremo superior del leño, con la parte inferior de la sierra recargada contra el leño; ejerza una presión mínima hacia abajo. Cabe mencionar que la sierra tenderá a jalarse en dirección opuesta a usted

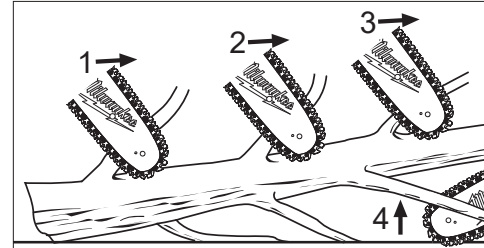
### Leño inferior (corte transversal)



Empiece en el extremo inferior del leño, con la parte superior de la sierra recargada contra el leño; ejerza una presión mínima hacia arriba. Durante las labores de leño inferior, la sierra tenderá a empujarse hacia usted. Prepárese para esta reacción y sostenga la sierra con firmeza para mantener el control.

## Desramado

**⚠ADVERTENCIA** Nunca se suba a un árbol para podarlo ni desramarlo. No se pare sobre escaleras, plataformas, otro leño ni en ninguna posición que pueda provocar que pueda perder el equilibrio o el control de la sierra.



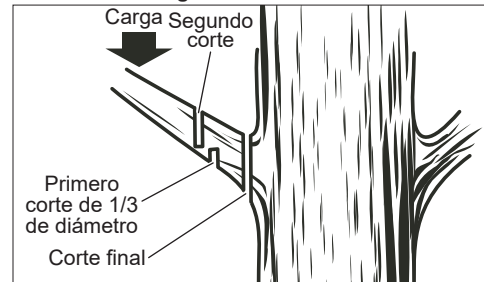
Corte las secciones una por una y deje las secciones de soporte debajo del árbol hasta que se corte el leño.

El desramado consiste en retirar las ramas de un árbol caído.

- Trabaje lentamente, manteniendo ambas manos en la sierra podadora con un agarre firme. Siempre asegúrese de que su posición sea segura y su peso esté distribuido uniformemente en ambos pies.
- Deje las secciones de soporte más grandes bajo el árbol para mantener el árbol lejos del piso mientras hace el corte.
- Las secciones deben cortarse uno por uno. Retire con frecuencia las ramas cortadas del área de trabajo para ayudarlo a mantener un espacio de trabajo limpio y seguro.
- Las ramas bajo tensión deben cortarse de abajo hacia arriba para evitar enredar la sierra podadora.
- Mantenga el árbol entre usted y la sierra podadora cuando desrame. Corte desde el lado del árbol opuesto a la rama que esté cortando.

## Poda

**⚠ADVERTENCIA** Si las partes a podar están por encima de la altura del hombro, contrate a un profesional para realizar la labor de poda. El no hacerlo puede resultar en lesiones físicas graves.



La poda es recortar las secciones de un árbol que sigue en pie.

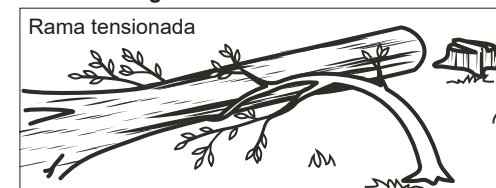
- Trabaje lentamente, manteniendo ambas manos en la sierra podadora con un agarre firme. Siempre asegúrese de que su posición sea segura y su peso esté distribuido uniformemente en ambos pies.
- No realice cortes desde una escalera ya que esto es sumamente peligroso. Contrate a profesionales para realizar este trabajo.

•No corte por encima de los hombros ya que, al sostener la sierra a una altura mayor resulta difícil controlarla contra el contragolpe.

- Cuando podes árboles, es importante que no realice el corte final a la sección principal o tronco hasta que haya cortado esa sección aún más para así reducir el peso. Esto evita que se levante la corteza de la sección principal.
- Realice un leño inferior en la rama a 1/3 donde hizo su primer corte.
- Su segundo corte debe ser de tipo leño superior para que caiga la rama.
- Posteriormente, realice un corte final suave y cuidadoso en la sección principal para que la corteza pueda volver a crecer para así sellar la herida.

## Ramas tensionadas

**⚠ADVERTENCIA** Las ramas tensionadas son peligrosas y podrían golpear al operador, provocando que pierda el control de la sierra podadora. Esto, a su vez, puede provocar lesiones graves o mortales al usuario.



Una rama tensionada es un leño, rama, tocón con raíces o retoño que está doblado y bajo tensión de otra madera, por lo que pueden rebotar si se corta o retira la madera que los tensiona. En un árbol caído, un tocón con raíces tiene la posibilidad de rebotar hacia una posición recta durante las labores de leño para separar el leño del tocón. Tenga cuidado con las ramas rencionadas ya que son peligrosas.

## RESOLUCIÓN DE PROBLEMAS

Problema	Causa	Solución
La barra y la cadena se calientan y sacan humo.	Revise la tensión de la cadena para ver si está demasiado tensa. CEl depósito de aceite para cadena está vacío.	Corrija la tensión de la cadena. Llene el depósito de aceite.
El motor arranca, pero la cadena no gira.	La tensión de la cadena es excesiva. La barra guía y la cadena tienen un ensamblado inapropiado. La barra guía o la cadena están dañadas.	Corrija la tensión de la cadena. Corrigger l'assemblage. Remplacer les pièces endommagées avant d'utiliser l'outil.

## MANTENIMIENTO

**ADVERTENCIA** Para reducir el riesgo de una lesión, desconecte siempre la herramienta antes de darle cualquier mantenimiento. Nunca desarme la herramienta ni trate de hacer modificaciones en el sistema eléctrico de la misma. Acuda siempre a un Centro de Servicio MILWAUKEE para TODAS las reparaciones.

### Mantenimiento de las herramientas

Adopte un programa regular de mantenimiento y mantenga su herramienta en buenas condiciones. Inspeccione la herramienta para problemas como ruidos indebidos, desalineadas o agarrotadas de partes móviles, piezas rotas o cualquier otra condición que pueda afectar el funcionamiento de la herramienta. Envíe su herramienta al Centro de Servicio MILWAUKEE para reparación. Después de 6 meses a un año, dependiendo del uso dado, envíe su herramienta al Centro de Servicio MILWAUKEE más cercano para la inspección. Si la herramienta no arranca u opera a toda su potencia con una batería completamente cargada, limpie, con una goma o borrador, los contactos de la batería y de la herramienta. Si aun así la herramienta no trabaja correctamente, regrésela, con el cargador y la batería, a un centro de servicio MILWAUKEE.

### Cadena y barra

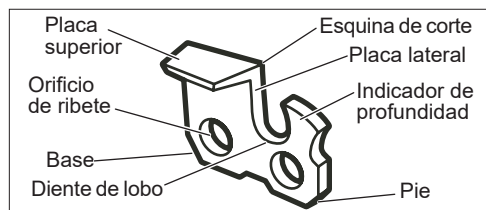
Después de algunas horas de uso, retire la protección del accionador, la barra guía y la cadena; limpie cuidadosamente con un cepillo de cerdas suaves. Asegúrese de que el orificio de lubricación en la barra esté libre de desechos. Cuando reemplace las cadenas lisas por cadenas afiladas, es buena práctica voltear la barra de la cadena de abajo a arriba.

### Afilado de la cadena de la sierra

**ADVERTENCIA** El afilado inadecuado de la cadena aumenta la posibilidad de que se produzca un contragolpe.

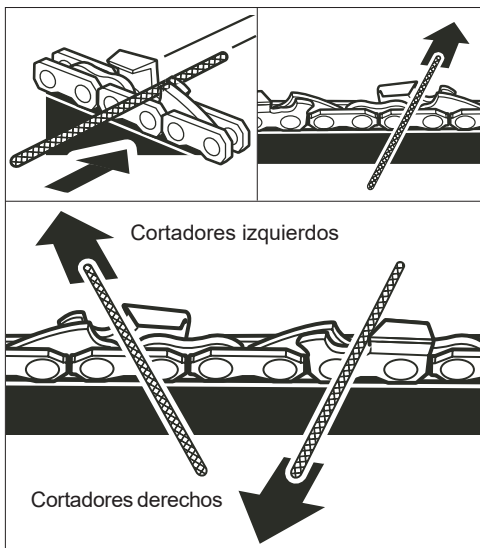
No reemplazar o reparar la cadena dañada puede provocar lesiones graves.

La cadena de la sierra está muy afilada; utilice siempre guantes de seguridad cuando realice labores de mantenimiento a la cadena.



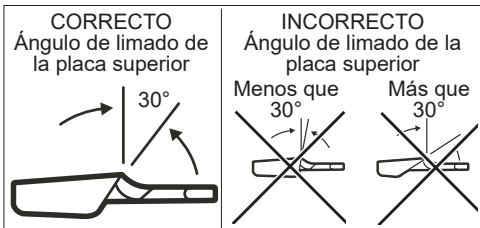
Tenga cuidado de afilar los cortadores a los ángulos específicos y a la misma longitud, ya que los cortes rápidos se pueden realizar sólo cuando todos los cortadores son uniformes.

• Utilice guantes de seguridad. Tensione adecuadamente la cadena antes del afilado. Consulte la sección "Tensión de la cadena" que se encuentra líneas arriba en este manual. Haga todo el limado en el punto medio de la barra.



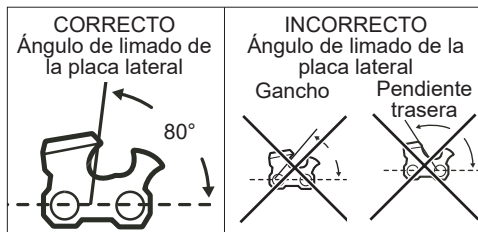
- Utilice una lima redonda de 4 mm (5/32") con mango.
- Mantenga el nivel de limado con la placa superior de los dientes. No permita que la lima se moje ni se golpee.
- Ejerza una presión ligera, pero firme, y lime hacia la esquina superior de los dientes.
- Levante la lima del acero cada vez que regrese sobre la lima.
- Haga un limado firme en cada uno de los dientes. Lime todos los cortadores izquierdos en la misma dirección. Posteriormente, pase al otro lado y lime los cortadores del lado derecho en la dirección opuesta. Ocasionalmente retire los restos de limado de la lima con un cepillo de cerdas de acero.

### Ángulo de limado de la placa superior



- **30° CORRECTO.** Los sostenedores de lima están marcados con guías para alinear la lima correctamente para así crear el ángulo de placa superior correcto.
- **MENOR A 30°.** Para cortes transversales.
- **MÁS DE 30°.** El borde biselado pierde su filo con rapidez.

### Ángulo de placa lateral



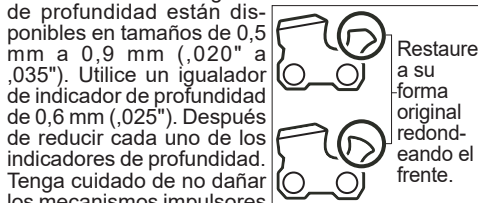
- **80° CORRECTO.** Se produce automáticamente si se usa el diámetro correcto en los sostenedores de lima.
- **GANCHO.** "Sostiene" y pierde el filo con rapidez. Aumenta la posibilidad de CONTRAGOLPE. Es el resultado de usar una lima con un diámetro demasiado pequeño o que se sostuvo demasiado abajo.
- **PENDIENTE HACIA ATRÁS.** Necesita demasiada presión inicial, lo que provoca desgaste excesivo en la barra y la cadena. Es el resultado de usar una lima con un diámetro demasiado amplio o que se sostuvo demasiado alto.

### Holgura del indicador de profundidad

- El indicador de profundidad debe mantener una holgura de 0,6 mm (,025"). Utilice una herramienta indicadora de profundidad para ver la holgura de los mismos.
- Cada vez que se lime la cadena, revise el juego del indicador de profundidad.



Utilice una lima plana y un igualador del indicador de profundidad para reducir todos los indicadores con uniformidad. Los igualadores de los indicadores de profundidad están disponibles en tamaños de 0,5 mm a 0,9 mm (,020" a ,035"). Utilice un igualador de indicador de profundidad de 0,6 mm (,025"). Después de reducir cada uno de los indicadores de profundidad.



Tenga cuidado de no dañar los mecanismos impulsores adyacentes con el borde de la lima. Deben ajustarse los indicadores de profundidad con una lima plana en la misma dirección en que se limó el cortador adyacente con la lima redonda. Tenga cuidado de no entrar en contacto con el frente del cortador con una lima plana cuando esté ajustando los indicadores de profundidad.

### Mantenimiento de la barra guía

Cuando la barra guía muestre señales de desgaste, voltear la barra de la abajo a arriba para distribuir el desgaste y así obtener la mayor vida útil de la barra. Es necesario limpiar la barra todos los días de uso, voltear la barra de la cadena de abajo a arriba en búsqueda de desgaste y daños.

El biselado o rebabado de los rieles de la barra es un proceso normal del desgaste de la misma. Esas fallas deben reducirse con una lima tan pronto como se presenten.

Es necesario reemplazar una barra que exhiba cualquiera de las siguientes fallas.

- El desgaste interno en los rieles de la barra permite que la cadena se ladee.
- Doble la barra guía.
- Rieles rotos o con fisuras.
- Rieles abiertos.

Lubrique las barras guía con una rueda dentada en su punta cada semana. Con la ayuda de una jeringuilla de engrasado, lubrique cada semana en el orificio de lubricación. Voltee la barra guía y revise que los orificios de lubricación y rieles de barra estén exentos de impurezas.

**NOTA:** No sustituya el tornillo con un tornillo ordinario. Utilice únicamente las piezas de reemplazo que sean idénticas a las del fabricante cuando esté reemplazando las piezas

**ADVERTENCIA** Para reducir el riesgo de lesiones, descarga eléctrica o daño a la herramienta, nunca la sumerja en líquidos ni permita que estos fluyan dentro de la misma.

### Limpieza

Limpie el polvo y suciedad de las ventilas. Mantenga los mangos limpios, secos y libres de aceite o grasa. Use solo jabón neutro y un trapo húmedo para limpiar, ya que algunos substancias y solventes limpiadores son dañinos a los plásticos y partes aislantes. Algunos de estos incluyen: gasolina, turpentina, thinner, lacas, thinner para pinturas, solventes para limpieza con cloro, amoníaco y detergentes caseros que tengan amonía. Nunca use solventes inflamables o combustibles cerca de una herramienta.

### Reparaciones

Si su herramienta, batería o cargador están dañados, envíela al centro de servicio autorizado más cercano.

### ACCESORIOS

**ADVERTENCIA** Utilice sólo los accesorios específicamente recomendados. Otros accesorios puede ser peligroso.

Para una lista completa de accesorios, visite nuestro sitio en Internet: [www.milwaukeetool.com](http://www.milwaukeetool.com) o póngase en contacto con un distribuidor.

### SOPORTE DE SERVICIO - MEXICO

#### CENTRO DE ATENCION A CLIENTES

Techtronic Industries Mexico, S.A. de C.V.

Av. Presidente Masarik 29 Piso 7

11560 Polanco V Seccion

Miguel Hidalgo, Distrito Federal, México

01 (800) 030-7777 o (55) 4160-3540

Lunes a Viernes (9am a 6pm)

O contáctanos en [www.milwaukeetool.com.mx](http://www.milwaukeetool.com.mx)



## **GARANTÍA LIMITADA - E.U.A. Y CANADÁ**

Cada producto eléctrico para uso en exteriores MILWAUKEE® (consulte las excepciones a continuación) está garantizado para el comprador original únicamente de que no tenga material y mano de obra defectuosos. Sujeto a ciertas excepciones, MILWAUKEE reparará o reemplazará cualquier parte en un producto eléctrico para uso en exteriores que tenga defectos de material o mano de obra según lo determine MILWAUKEE mediante una revisión, por un periodo de tres (3) años después de la fecha de compra a menos que se indique lo contrario. Al devolver la herramienta eléctrica para uso en exteriores a un Centro de Servicio de la fábrica de MILWAUKEE o a una Estación de Servicio Autorizada de MILWAUKEE, se requiere que el flete esté pagado por adelantado y asegurado. Se debe incluir una copia del comprobante de compra con el producto devuelto. Esta garantía no aplica a daños que MILWAUKEE determine que son ocasionados por reparaciones o intentos de reparaciones realizados por una persona que no sea personal autorizado de MILWAUKEE, uso indebido, alteraciones, maltrato, desgaste normal, falta de mantenimiento o accidentes.

**Desgaste normal:** Muchos productos eléctricos para uso en exteriores necesitan un reemplazo periódico de partes y servicio para lograr el mejor desempeño. La presente garantía no cubre las reparaciones cuando el uso normal haya acabado con la vida útil de la pieza incluyendo, entre otros, el cabezal de corte, el devanador del cabezal de corte, las líneas de corte, las hojas, las cadenas, los tubos para soplador, los cepillos, los anillos tóricos y los sellos.

\*Esta garantía no cubre baterías inalámbricas ni productos reacondicionados. Existen garantías por separado y distintas disponibles para estos productos.

MILWAUKEE no cubre los cargos de flete y mano de obra relacionados con la inspección y las pruebas en productos eléctricos para uso en exteriores, los cuales MILWAUKEE considera que no son reclamaciones válidas de garantía. Una reclamación de una garantía válida debe estar fundada en el descubrimiento de material defectuoso o problemas de mano de obra por parte de MILWAUKEE.

LA ACEPTACIÓN DE LOS REMEDIOS EXCLUSIVOS DE REPARACIÓN Y REEMPLAZO AQUÍ DESCRITOS ES UNA CONDICIÓN DEL CONTRATO PARA LA COMPRA DE TODO PRODUCTO DE MILWAUKEE. SI USTED NO ACEPTA ESTA CONDICIÓN, NO DEBE COMPRAR EL PRODUCTO. MILWAUKEE NO SERÁ RESPONSABLE EN NINGÚN CASO DE DAÑOS INCIDENTALES, ESPECIALES, EMERGENTES O PUNITIVOS NI DE NINGÚN COSTO, HONORARIOS LEGALES, GASTOS, PÉRDIDAS O DEMORAS ALEGADOS COMO CONSECUENCIA DE ALGÚN DAÑO, FALLA O DEFECTO EN NINGÚN PRODUCTO, INCLUYENDO, ENTRE OTROS, RECLAMACIONES POR PÉRDIDA DE UTILIDADES. ALGUNOS ESTADOS NO PERMITEN LA EXCLUSIÓN O LIMITACIÓN DE RESPONSABILIDAD POR DAÑOS INCIDENTALES O EMERGENTES, POR LO QUE LA ANTERIOR LIMITACIÓN O EXCLUSIÓN PODRÍA NO APLICARSE EN SU CASO. ESTA GARANTÍA ES EXCLUSIVA Y REEMPLAZA TODAS LAS DEMÁS GARANTÍAS EXPRESAS, ESCRITAS U ORALES. EN LA MEDIDA EN QUE LO PERMITA LA LEY, MILWAUKEE DESCONOCE CUALQUIER GARANTÍA IMPLÍCITA, INCLUYENDO SIN LIMITACIÓN CUALQUIER GARANTÍA IMPLÍCITA DE COMERCIABILIDAD O IDONEIDAD PARA UN FIN O USO ESPECÍFICO; EN LA MEDIDA EN QUE DICHO DESCONOCIMIENTO NO SEA PERMITIDO POR LA LEY, DICHAS GARANTÍAS IMPLÍCITAS SE LIMITAN A LA DURACIÓN DE LA GARANTÍA EXPRESA CORRESPONDIENTE SEGÚN SE DESCRIBIÓ ANTERIORMENTE. ALGUNOS ESTADOS NO PERMITEN LIMITACIONES SOBRE

LA DURACIÓN DE UNA GARANTÍA IMPLÍCITA, POR LO QUE LA ANTERIOR LIMITACIÓN PUDIERA NO APLICARSE A USTED. ESTA GARANTÍA LE DA DERECHOS LEGALES ESPECÍFICOS Y USTED PODRÍA ADEMÁS TENER OTROS DERECHOS QUE VARIAN DE UN ESTADO A OTRO.

Esta garantía aplica a productos vendidos en los Estados Unidos y en Canadá únicamente.

Consulte la "Búsqueda de centro de servicio" en la sección de Partes y servicio del sitio web de MILWAUKEE en [www.milwaukeetool.com](http://www.milwaukeetool.com) o llame al 1-800-SAWDUST (1.800.729.3878) para localizar su centro de servicio más cercano para darle servicio con y sin garantía a una herramienta eléctrica de Milwaukee.

## **PÓLIZA DE GARANTÍA - VALIDA SOLO PARA MEXICO, AMÉRICA CENTRAL Y EL CARIBE**

La garantía de TECHTRONIC INDUSTRIES es por 3 años a partir de la fecha original de compra.

Esta tarjeta de garantía cubre cualquier defecto de material y mano de obra en ese Producto.

Para hacer válida esta garantía, presente esta tarjeta de garantía, cerrada/sellada por el distribuidor o la tienda donde compró el producto, al Centro de Servicio Autorizado (ASC). O, si esta tarjeta no se ha cerrado/sellado, presente la prueba original de compra a ASC. Llame 55 4160-3547 para encontrar el ASC más cercano, para servicio, partes, accesorios o componentes.

### **Procedimiento para hacer válida esta garantía**

Lleve el producto a ASC, junto con la tarjeta de garantía cerrada/sellada por el distribuidor o la tienda donde compró el producto, y cualquier pieza o componente defectuoso se reemplazará sin costo para usted. Cubriremos todos los costos de flete con relación a este proceso de garantía

### **Excepciones**

Esta garantía no tendrá validez en las siguientes situaciones:

- Quando el producto se use de manera distinta a la que indica el manual del usuario final o de instrucciones.
- Quando las condiciones de uso no sean normales.
- Quando otras personas no autorizadas por TECHTRONIC INDUSTRIES modifiquen o reparen el producto.

**Nota:** si el juego de cables está dañado, tiene que reemplazarse en un Centro de Servicio Autorizado para evitar riesgos eléctricos.

### **CENTRO DE SERVICIO Y ATENCIÓN**

Llame al 55 4160-3547

IMPORTADO Y COMERCIALIZADO POR  
TECHTRONIC INDUSTRIES, MÉXICO, S.A. DE C.V.  
Miguel de Cervantes Saavedra No.301 Piso 5, Torre Norte  
11520 Colonia Ampliación Granada  
Miguel Hidalgo, Ciudad de Mexico, Mexico

**Modelo:** \_\_\_\_\_

**Fecha de Compra:** \_\_\_\_\_

**Sello del Distribuidor:** \_\_\_\_\_

**MILWAUKEE TOOL**  
13135 West Lisbon Road  
Brookfield, WI 53005 USA

58142527d1  
04/20

961013600-01(A)  
Printed in China